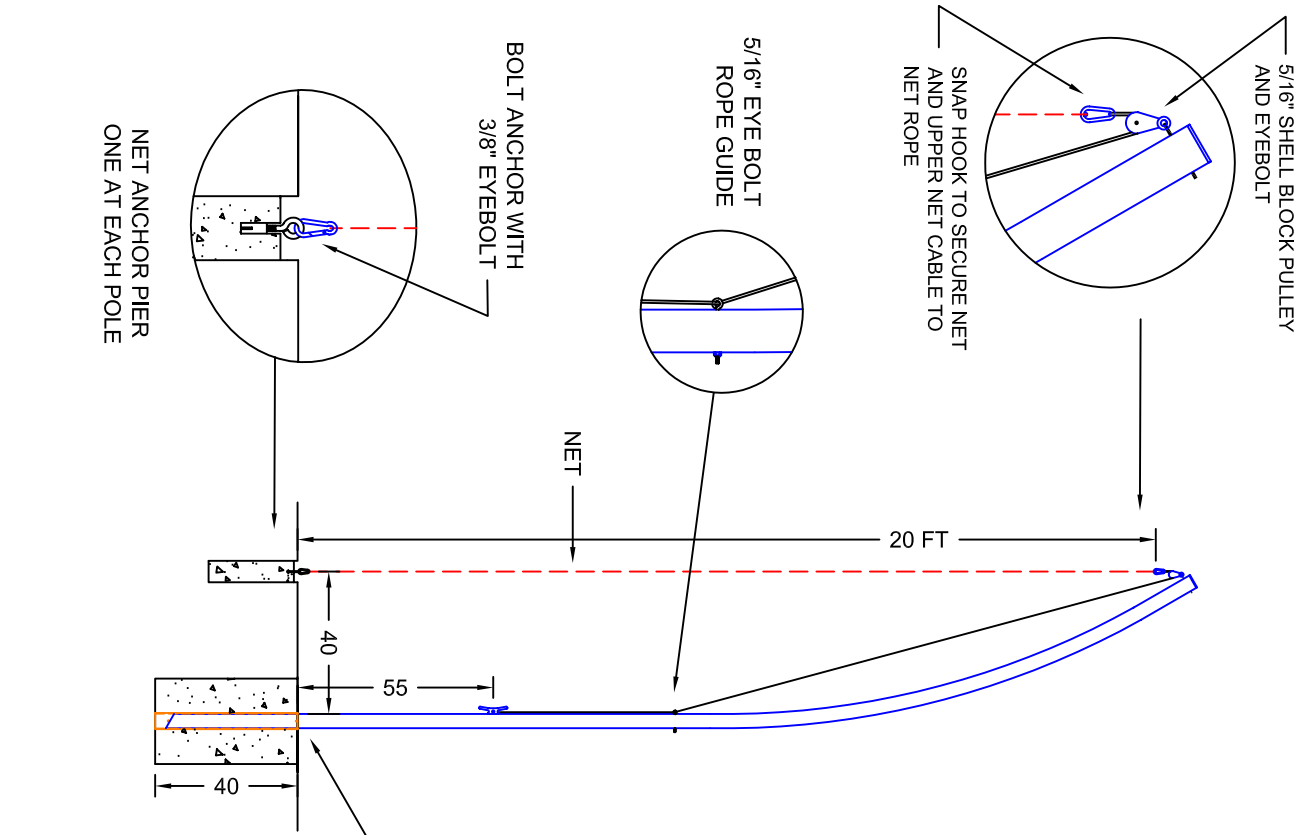
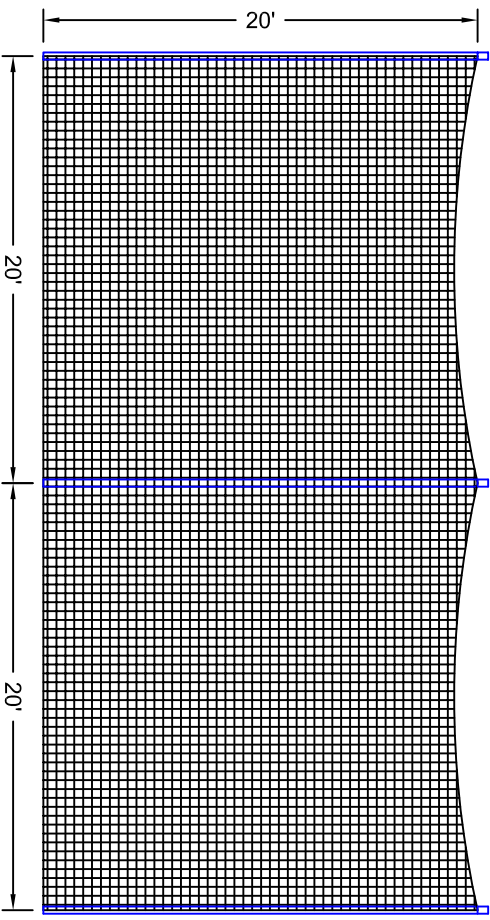


# 732190 OFFSET BALL STOP SPECIFICATIONS

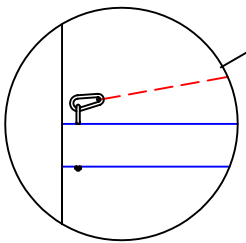


The 732190 - 20' Offset Ball Stop is sold in units of 20 feet. Nets are custom manufactured to the actual length required. See example described below. The 40" offset net poles are 4" diameter 6061-T6 aluminum tube with a 1/8" wall thickness. Each pole rests in a 40" deep galvanized steel ground sleeve. To minimize sag, the net is supported by a vinyl coated steel cable at the top. A shorter cable woven through the net at the bottom helps hold the net to the ground between poles. The net is #504 knotless, nylon netting with a breaking strength of over 200 pounds. The net can be secured at ground level in two ways. To hang straight down, hook net and lower cable to stainless steel eyebolts anchored below ground level. The net and lower cable can also be secured to the base of the net pole by moving the rope guide eyebolt to the base of the pole.



Ball stops are sold in 20 foot units. For example, a 90 foot long ball stop would require five 20 foot units. The net would be custom manufactured to the required 90 foot length. This ball stop would come with six net poles and ground sleeves. Poles would be installed 18 feet apart to give a finished length of 90 feet. Nets longer than 120 feet will be split into two nets of equal length to be laced together in the field.

NOTE: MAXIMUM DISTANCE BETWEEN POLES IS 20 FEET.



IF NET ANCHOR PIERS ARE NOT USED

**GILL ATHLETICS**

CHAMPAIGN, IL 800-637-3090

SCALE: NONE

DRAWN BY: JWD

DATE: 08/12/05

R & D:

PROD:

PUFCH:

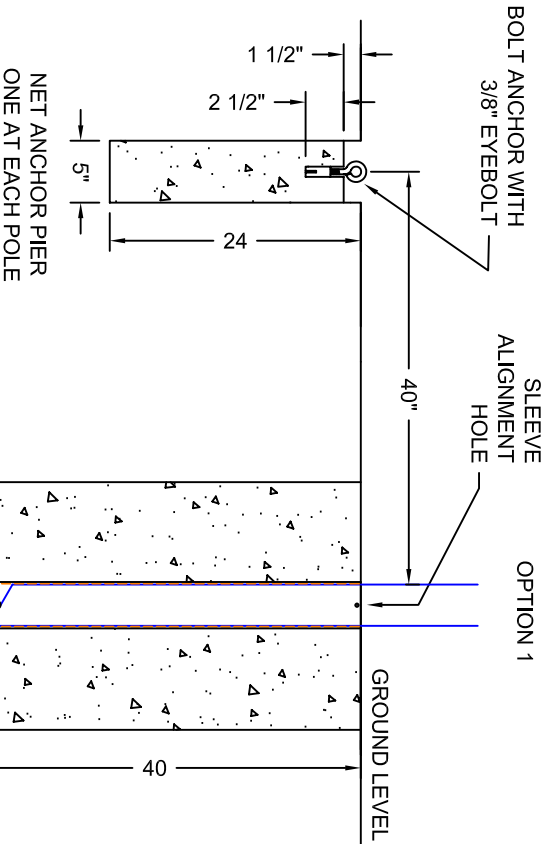
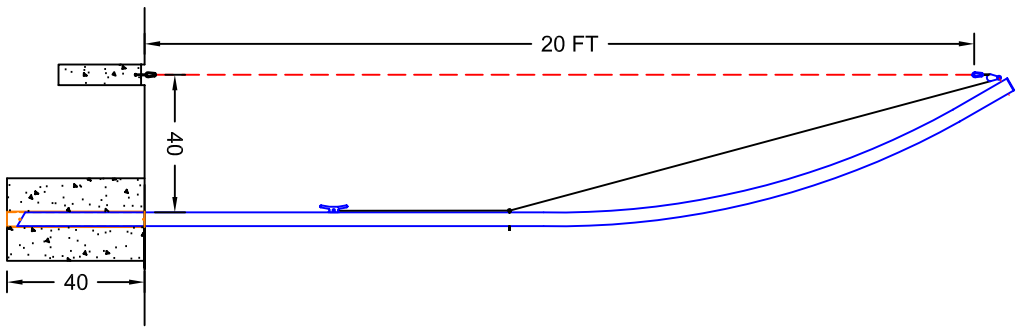
PART #: 732190

DWG #: 732190

20' OFFSET BALL STOP DESCRIPTION

# GROUND SLEEVE INSTALLATION

**NOTE:** The proper orientation of the 5/8" sleeve stop bolt determines the proper orientation of the net pole. Each sleeve has a 1/4" through hole at the top edge through which string could be tied as a visible reference to help insure proper alignment.



NOTE 5/8" STOP BOLT AND POLE ORIENTATION GRAVEL / SAND TO DRAIN SLEEVE

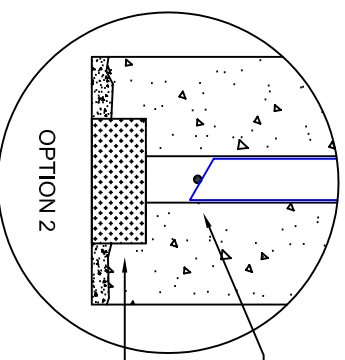
DIAMETER OF CONCRETE PIER WITH SLEEVE TO BE DETERMINED BY LOCAL ENGINEER AND MUST TAKE INTO ACCOUNT LOCAL SOIL CONDITIONS.

## GROUND SLEEVES:

1. Dig holes for sleeves at staked locations. Size of holes are dependent on equipment used and must take into account soil conditions to support the poles.
2. Position and level gravel or a concrete block at the bottom of the hole so that the sleeve opening rests at the proper height at the surface.
3. Fix and support the sleeve in position with wire and/or sections of rebar to prevent sleeve movement during the concrete pour. Sleeves must be vertical.
4. During the concrete pour, insure the alignment holes at the top opening of the sleeve remain properly aligned. These holes help orient the pole alignment pins at the bottom of the sleeves.

## NET ANCHOR PIERS:

1. Dig a 5" x 24" deep hole for each net anchor pier. Piers should be placed 38" to 40" in front of each net pole.
2. During the concrete pour for the ground sleeves, fill each hole to within 1 1/2" of the surface level. This will place the eyebolt anchor point below the surface level so as not to interfere with mowing.
3. After concrete has cured, drill a 1/2" x 2 1/2" deep hole in the center of the pier for the stainless steel threaded anchor. Clean the hole and insert the threaded anchor. Seat the anchor with a 5/16" pin punch and install the 3/8" eyebolt.



INSURE PROPER STOP BOLT ORIENTATION  
CONCRETE BLOCK SET WITH LEVEL, MUST HAVE HOLE TO DRAIN SLEEVE

# GILL

ATHLETICS

CHAMP/PAIGN, IL 800-637-3090

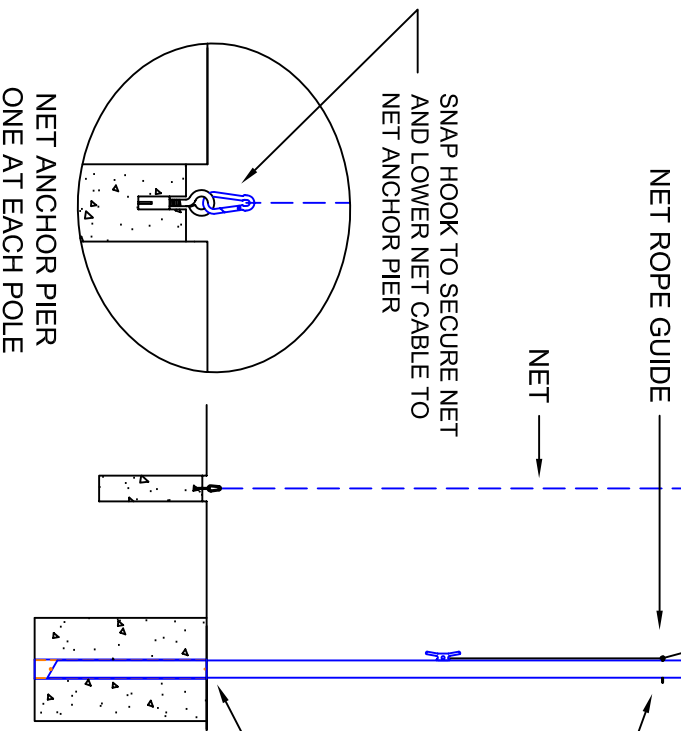
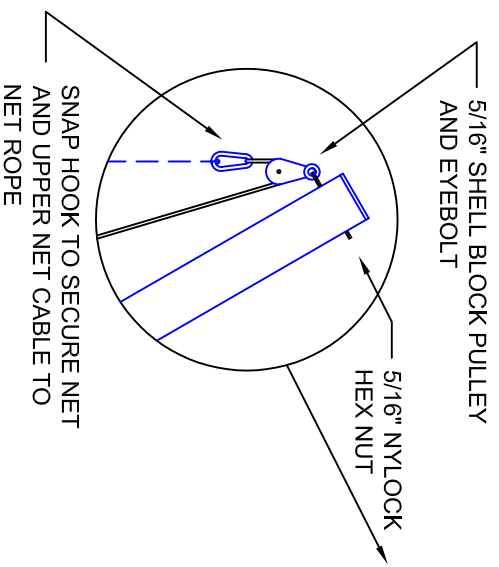
SCALE: NONE  
DRAWN BY: JWD  
DATE: 08/12/05

PART #: 732190  
DWG #: 732190 Inst 1

20' OFFSET BALL STOP SLEEVE INSTALLATION

R & D:  
PROD:  
PURCH:

# NET POLE ASSEMBLY

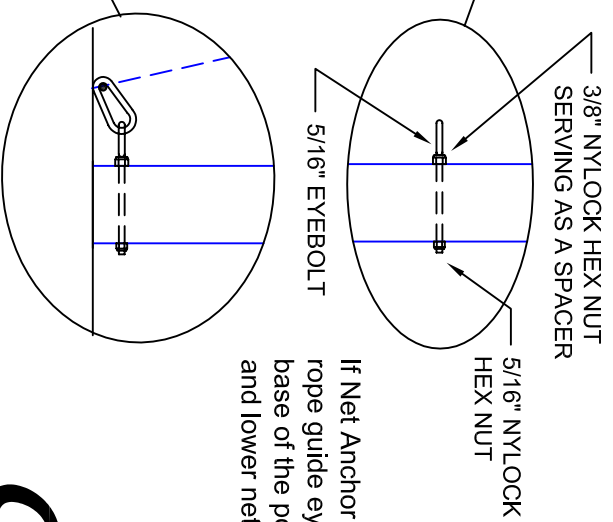


1. Lay each pole on the ground and assemble as shown. After the rope is fed through the pulley, knot tied in the rope at the 20' mark will keep the rope from pulling out when raising or lowering the net. Set the assembled poles into the ground sleeves with the pulleys facing the side you want the net. Lower the net hook to the ground and tie off the rope.

2. To minimize sag, the net is supported by a vinyl coated steel cable at the top. The upper net support cable is slightly longer than the lower ground cable. To install the cable, weave it in and out through every 5th net opening just below the top edge of the net. When finished, the loops at each end of the cable should be even with the ends of the net.

4. Lay out the net beside the net poles. At each pole, hook both the net binding and the cable. At each end be sure the hook is through the cable loop.

5. Raise the net to the top of the poles and tie off the ropes. Weave the ground net cable through the net in the same way as the upper net support cable. This is the shorter cable and should be rather taught as it runs from pole to pole. Secure the bottom of the net and cable to the anchor pier eyebolts or the pole mounted eyebolts with the 5/16" snap hooks.



If Net Anchor Piers are not used, move the net rope guide eyebolt to the through hole at the base of the pole. Secure the bottom of the net and lower net cable to this eyebolt.

**GILL** ATHLETICS  
 CHAMPAIGN, IL 800-637-3090  
 PART #: 732190  
 DWG #: 732190 Inst 2  
 20' OFFSET BALL STOP  
 NET POLE ASSEMBLY

SCALE: NONE  
 DRAWN BY: JWD  
 DATE: 08/12/05  
 R & D:  
 PROD:  
 PURCH: