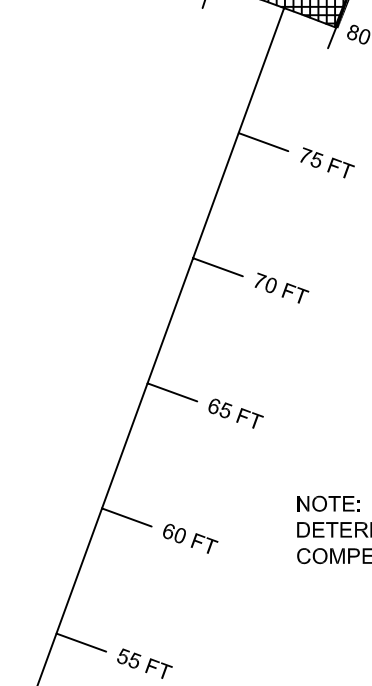
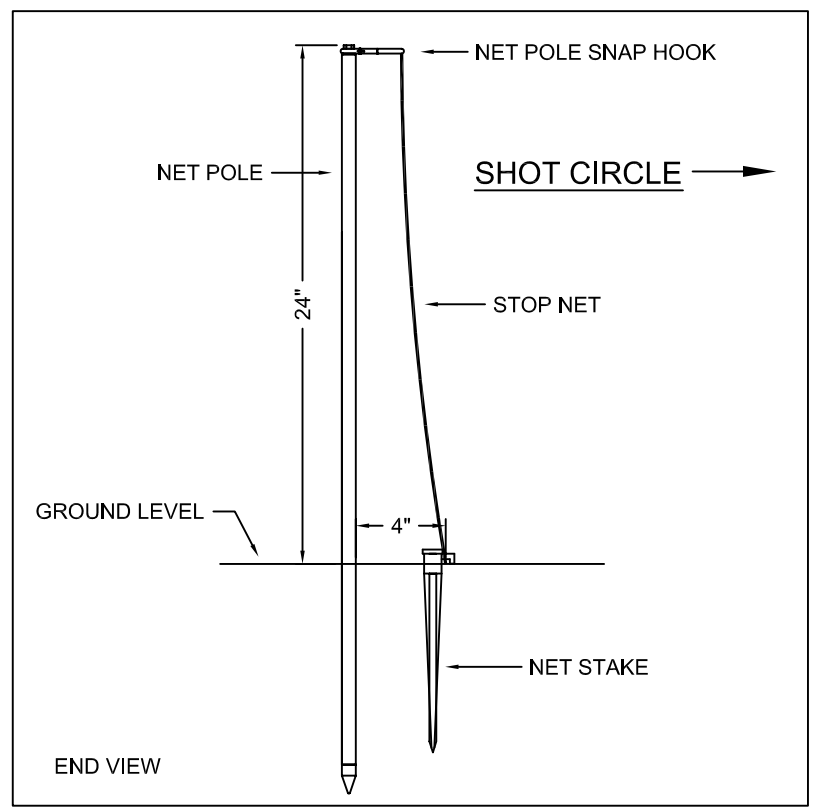
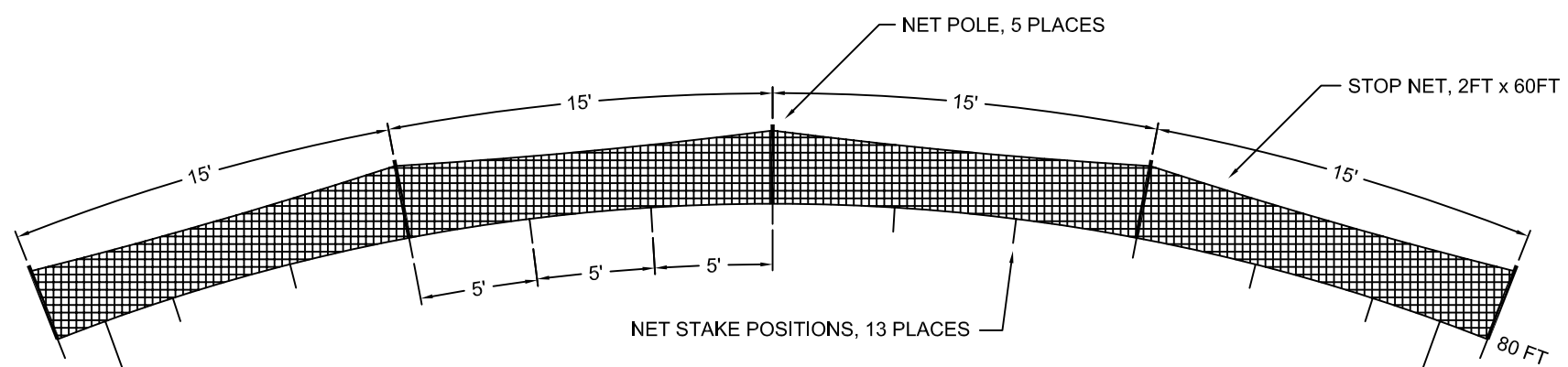


Part #	Description	Qty.
73113510	Net Pole	5
73113520	Net Spool	1
M2052	Stop Net, 2 ft x 60 ft	1
M1242	9" Net Stake	13
M2224	1/4" Snap Hook	2

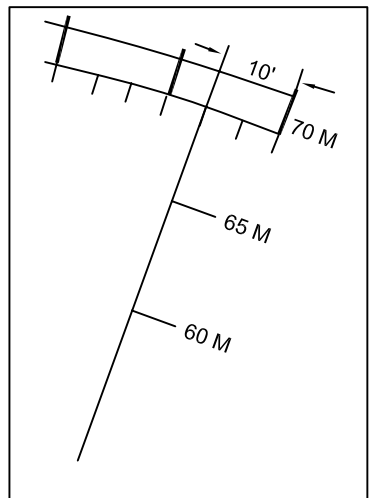
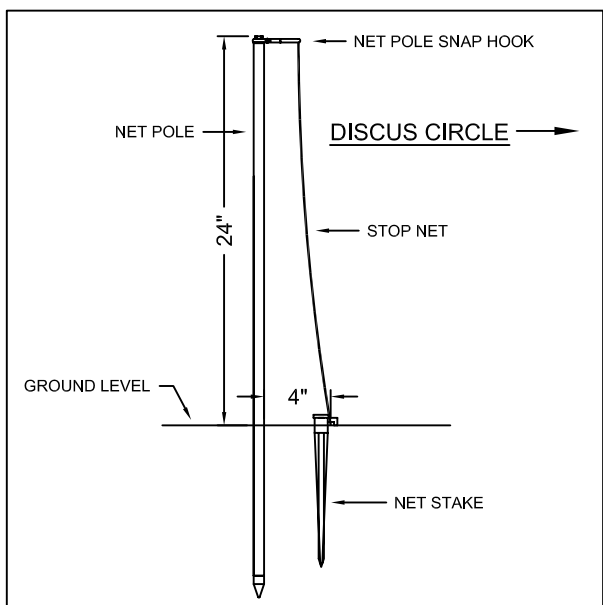
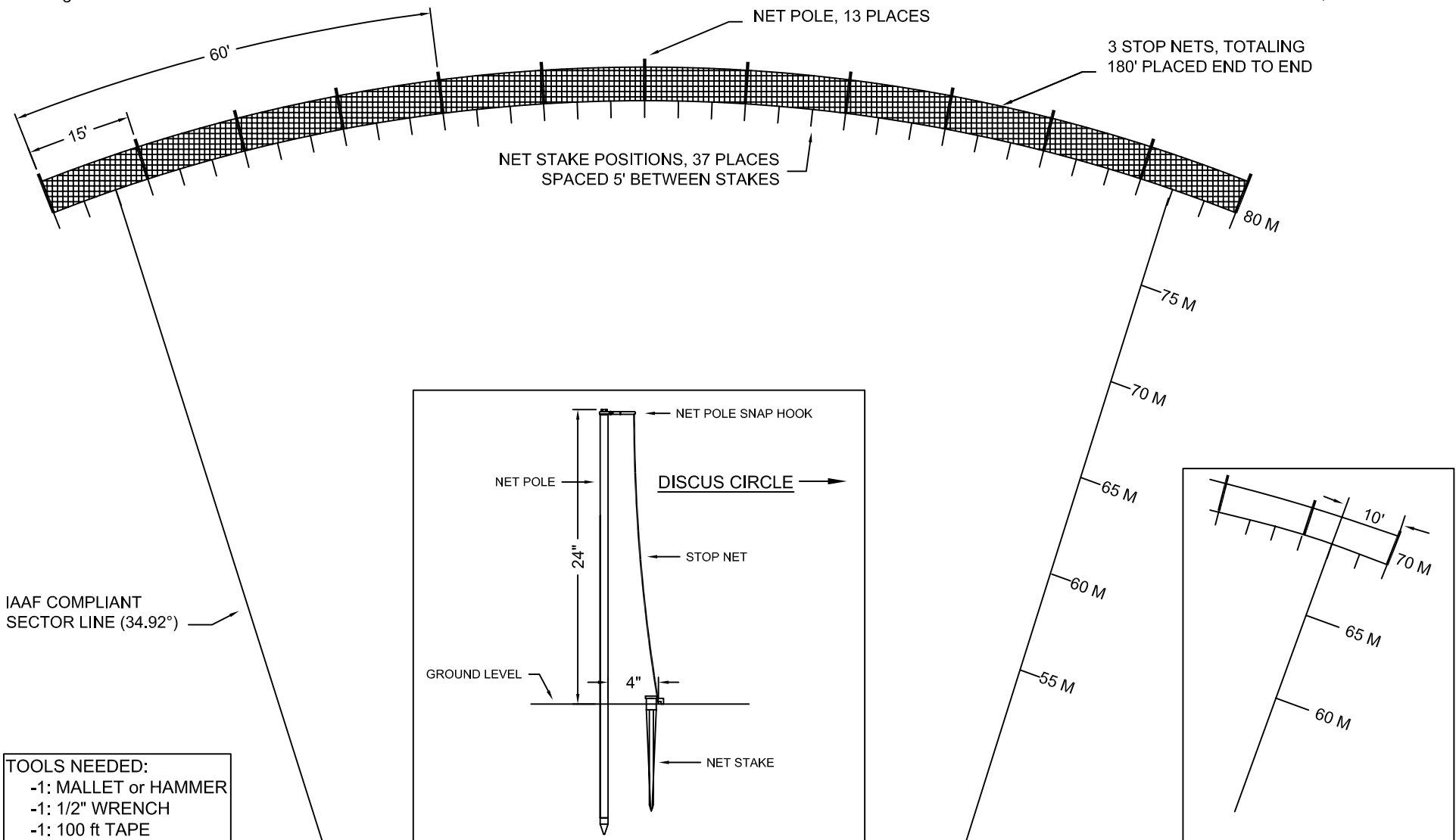
NOTE: For use as a discus stop net, three kits are required.



NOTE: THE NET POSITION IS DETERMINED BY THE LEVEL OF COMPETITION.

- Tools Needed:
- 1: Mallet or Hammer
 - 1: 1/2" Wrench
 - 1: 100 ft Tape

SECTOR LINE



- TOOLS NEEDED:**
- 1: MALLET or HAMMER
 - 1: 1/2" WRENCH
 - 1: 100 ft TAPE