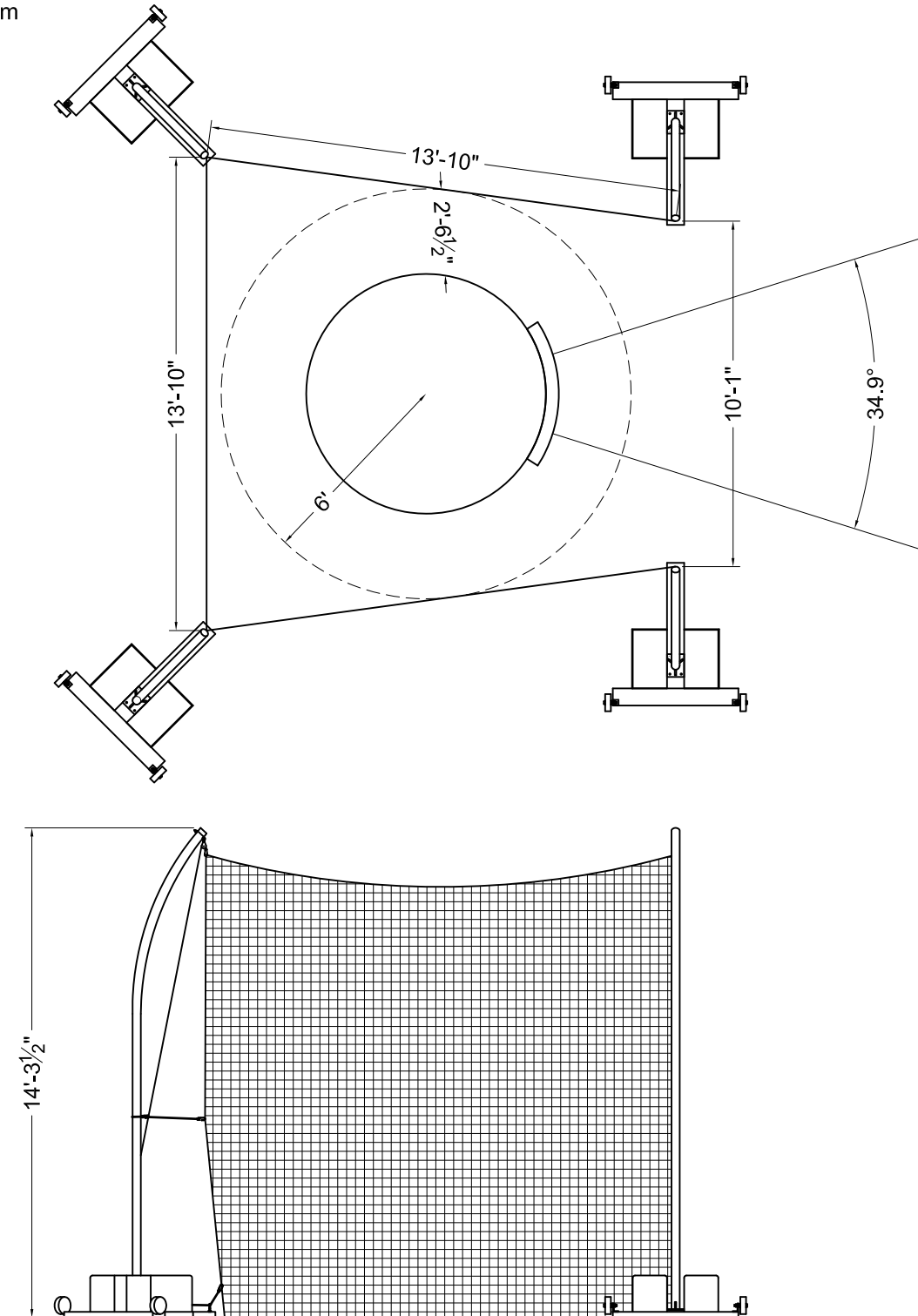




www.gillathletics.com
800-637-3090

732260 - PORTABLE SHOT CAGE SPECIFICATIONS



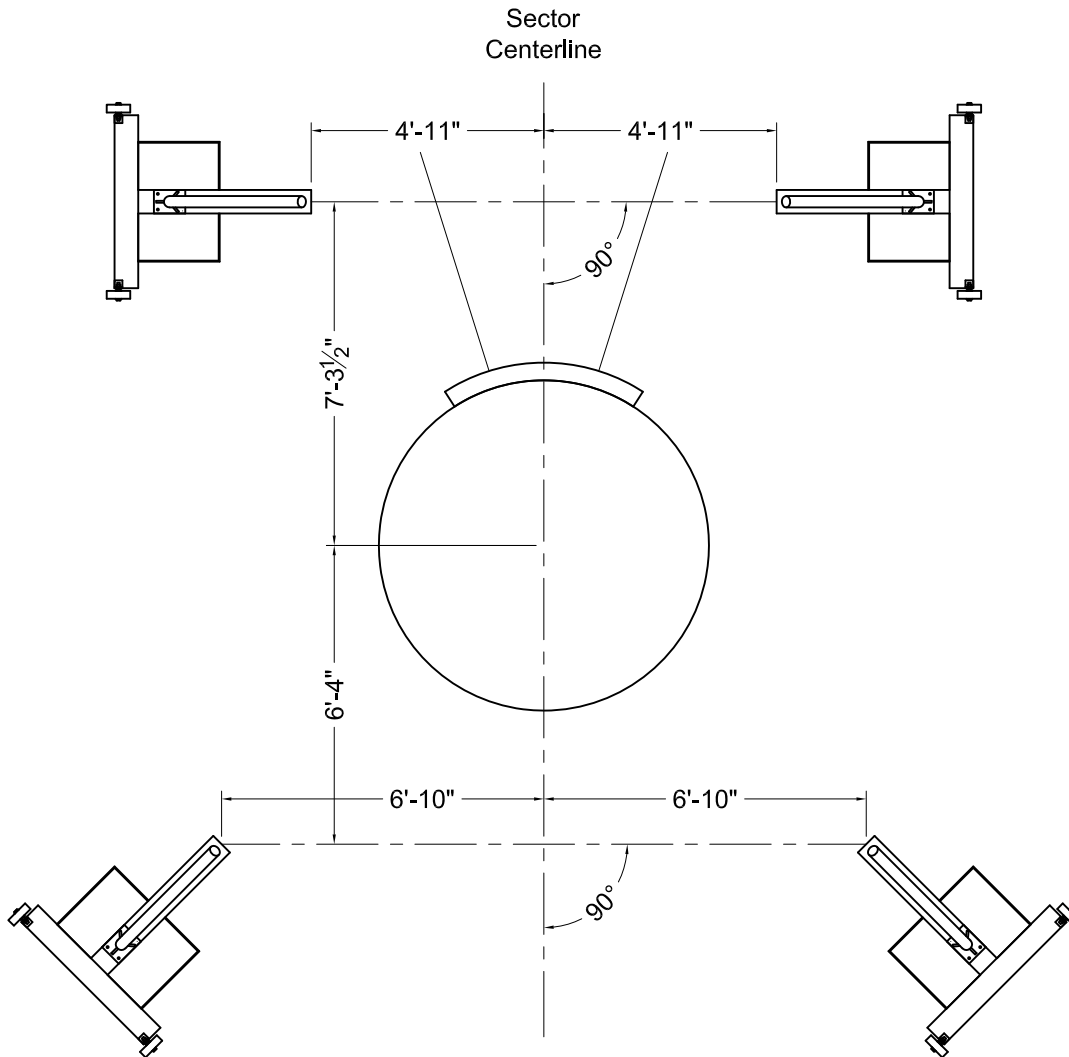
The 732260, Portable Shot Cage, is designed to be set up and removed as needed. The cage consists of four aluminum net poles with steel bases, weather treated nylon net, and replaceable bungee cords to secure the net at each base. The steel bases are each furnished with two 8" wheels, allowing the assembled net poles to be rolled into position with ease. The net poles are 2 7/8" OD, 0.203" wall, 6063-T6 aluminum tube. Pole bases are fabricated from 6" x 2" x 3/16" wall steel tube and 3/16" thick steel angle. All steel parts are finished with durable black powder coat paint. Pole bases are weighted with 5 gallon, heavy duty plastic jugs which are to be filled with sand or water. The cage poles stand 14' tall. The net is knotless nylon netting with a breaking strength of 180 lb. test. The cage can be set up to fit any size sector.



www.gillathletics.com
800-637-3090

732260 - PORTABLE SHOT CAGE POLE POSITION LAYOUT

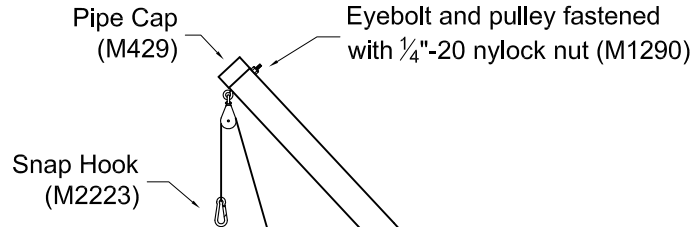
1. Layout and mark circle center and sector lines. Locate and mark with a string line the sector center line. This line should extend 10' forward and behind the circle center. Along this line, locate and mark with stakes a point 7' 3 1/2" in front of the circle center and a second point 6' 4" behind the circle center.
2. Locate and mark leading edge of net pole bases. At the above points and on lines perpendicular to the sector center line; mark points 4' 11" to the right and left for the front bases, and 6' 10" to the right and left for the back bases. Position net poles at these positions as shown in the diagram below. Net pole positions can be changed to fit any sector angle or safety concern.
3. Fill weight jugs with sand or water, place in base weight trays and install jug covers. Adhesive back Velcro tape is provided to help secure the covers. Align Velcro tape on tray edge with cover flap.





www.gillathletics.com
800-637-3090

73222020 & 73223020 - PORTABLE CAGE NET POLES NET POLE ASSEMBLY

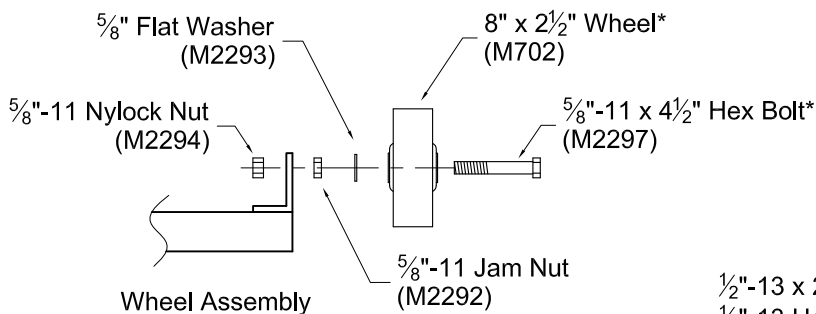


1. Attach wheels to net pole bases, see drawing below. The 5/8" jam nut is used to tighten the wheel assembly to the bracket along with the 5/8" nylock nut on the opposite side. The wheel should be loose enough to freely turn.

2. Install pulley assembly at the top of the net pole with 1/4" nylock hex nuts. The gap in the eye of the bolt should face up. Install the black pole cap down to the pulley eye bolt. The thread on these eye bolts can be trimmed after installation, if so desired.

3. Cut each 50' rope in half and melt ends to prevent fraying. Tie one end to snap hook and feed the other through the pulley. After the rope is fed through the pulley, tie the loose end to the rope cleat to prevent the rope from being lost when lowering the net.

4. Bolt the pole to the base with two 1/2" hex bolts with washers and one 1/2" eyebolt with jam nut and washer as shown below.



* The weight throw cage (732250) uses a different wheel and axle bolt.
6" x 2" Wheel (M701)
5/8"-11 x 4" Hex Bolt (M2278)

1/2"-13 x 2" Eyebolt (M2770)
1/2"-13 Hex Nut (M2233)
1/2" Flat Washer (M1268)
2 places

1/2"-13 x 1/4" Hex Bolt (M2234)
1/2" Flat Washer (M1268)
2 places

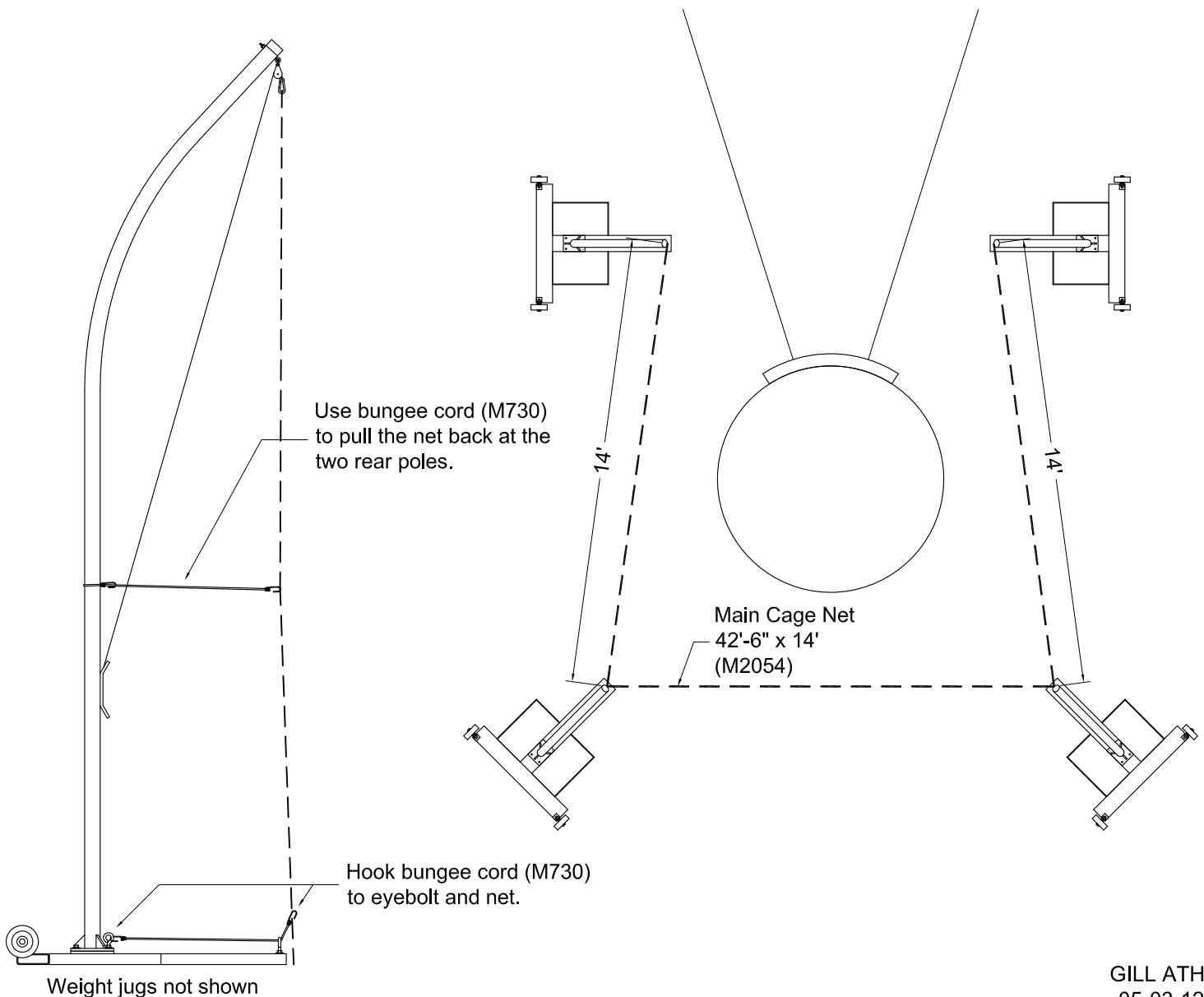
1/2"-13 Nylock Nut (M2232)
inside tube



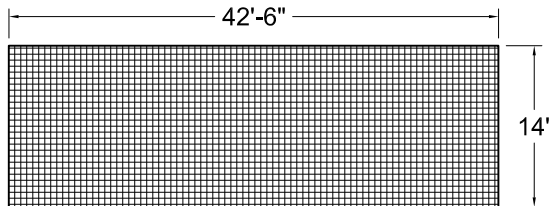
www.gillathletics.com
800-637-3090

732260 - PORTABLE SHOT CAGE NET INSTALLATION

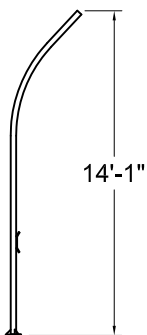
1. To ensure the net is evenly spaced when it is installed, mark each hook position on the net according to the diagram below. Stretch the net out flat and, with a measuring tape, mark the top of the net 14 feet in from each end.
2. Lay out the net inside the cage poles with each marked position next to the appropriate net rope hook. At each position hook the net binding. Partially raise the net and adjust hook positions if needed to even out the net.
3. Raise the net to the top of the poles and tie off the ropes. Hook one end of the bungee cord to the eye bolt at the pole base. Pass it through the outer eye bolt and hook the net so it is taught. The bottom few inches of the net is supposed to lay on the ground to help trap a shot.



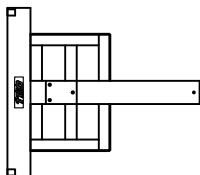
Main Net
M2054
x1



Net Pole
73222020
x4



Net Pole Base
73222025
x4

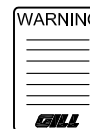


5 Gal Pail
M425
x16



Cage Components Box - 73226040

Warning Sign
M2322
x3



Snap Ring
M1250
x12

Two Jug Cover
M605
x8



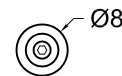
Bungee Cord
M730
x6



1" Wide Velcro Hook
Adhesive Backed
M2008
x16ft

1/4" Polyester Rope
M2005
x100ft

8" x 2 1/2" Wheel
M702
x8



Hardware Kit - 73226060

BASE HARDWARE BAG x 1 (73226061):

QTY.	M#	DESCRIPTION
16	M1268	1/2" Flat Washer
4	M2232	1/2"-13 Nylock Hex Nut
8	M2233	1/2"-13 Hex Nut
8	M2234	1/2"-13 x 1 1/4" Hex Bolt
8	M2770	1/2"-13 x 2" Eyebolt

WHEEL HARDWARE BAG x 1 (73226062):

QTY.	M#	DESCRIPTION
8	M2297	5/8"-11 x 4 1/2" Hex Bolt
8	M2292	5/8"-11 Jam Nut
8	M2293	5/8" Flat Washer
8	M2294	5/8"-11 Nylock Hex Nut

POLE HARDWARE BAG x 1 (73226063):

QTY.	M#	DESCRIPTION
4	M1290	1/4"-20 Nylock Hex Nut
4	M2729	*Pulley for 1/4" Rope
4	M2749	*1/4"-20 x 4" Eyebolt
4	M429	2 1/2" Sch 40 Pipe Cap (2 1/8" ID cap)
4	M2223	3/8" Snap Hook

* The pulleys must be assembled onto the eyebolts.

PORTABLE SHOT CAGE, SHIP LIST

SCALE: (none)	PART #: 732260
DATE: 05/03/12	DWG #: 732260_ship
DRAWN BY: CEB	SHEET: (1 of 1)



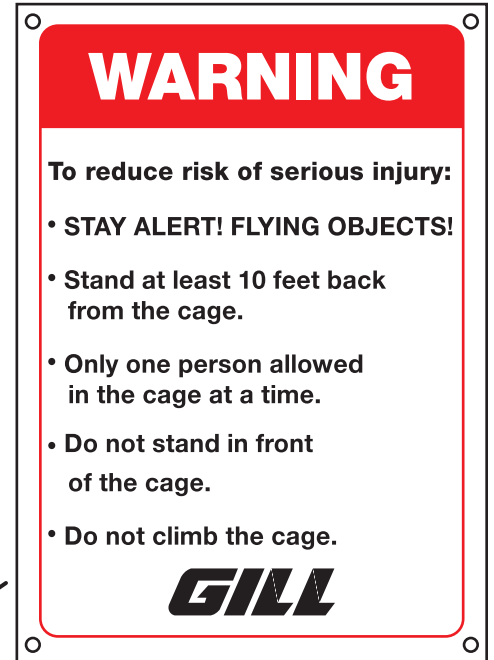


www.gillathletics.com
800-637-3090

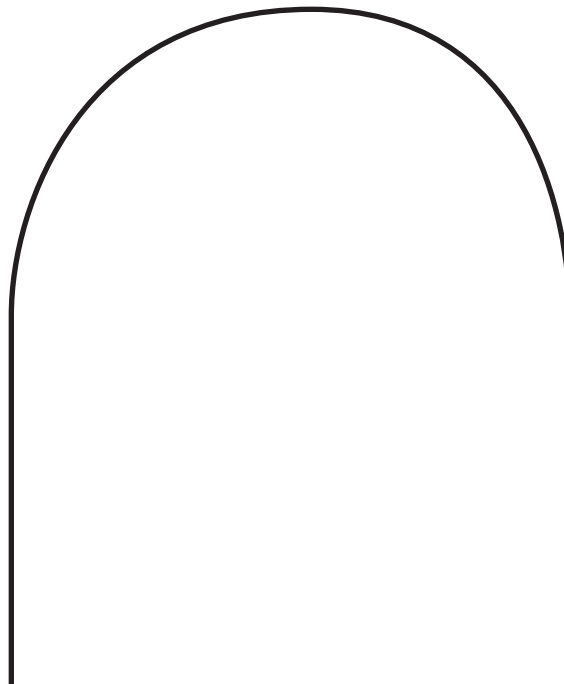
THROWING CAGE INSTALLATION OF WARNING SIGNS

For the protection of athletes, spectators, and coaches install warning signs according to the diagram below.

Attach signs (M2322) to the cage net with the included 1.25" rings (M1250) in each corner. Signs should face away from the cage toward spectators.



Center Back: Attach sign to the outside of the net at eye level in the middle of the back of the cage.



Left Front Side: Attach sign to the outside of the net at eye level near the front left side of the cage.



Right Front Side: Attach sign to the outside of the net at eye level near the front right side of the cage.

