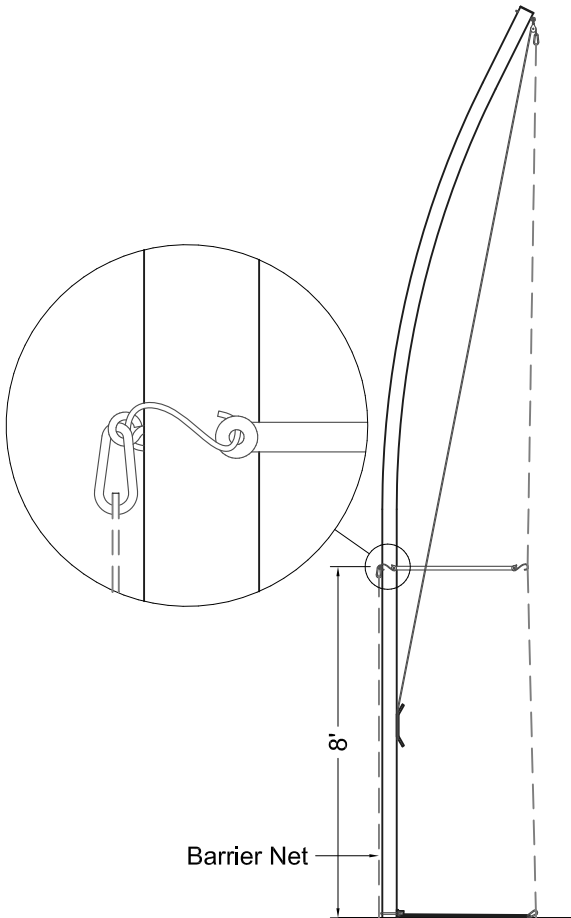
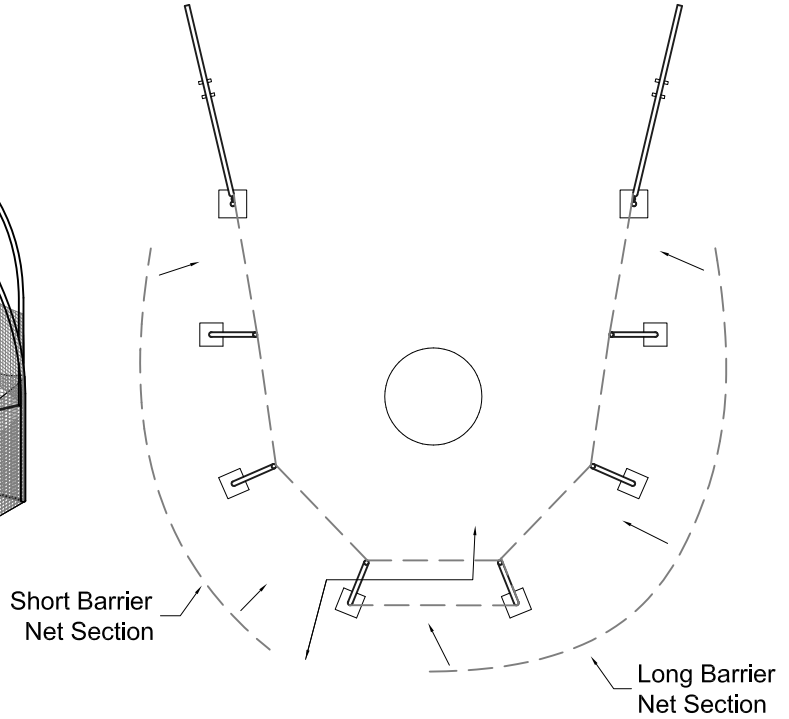
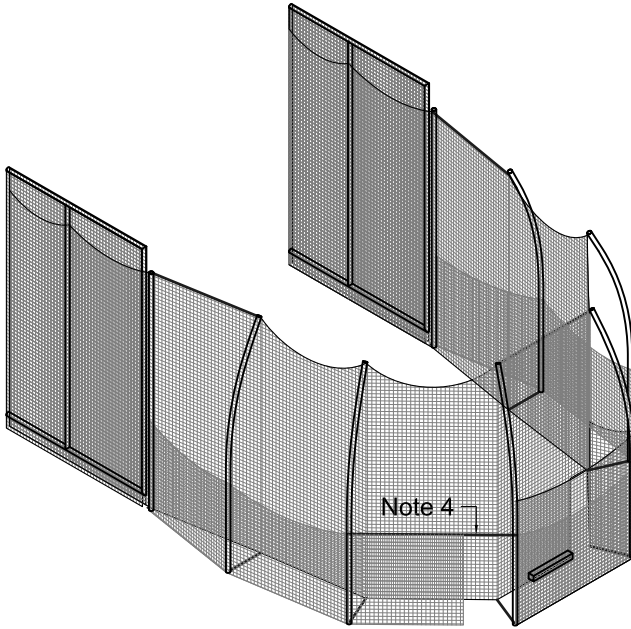




www.gillathletics.com  
800-637-3090

# HAMMER CAGE BARRIER NET INSTALLATION

Hammer cage size and layout will vary depending on model number.



The barrier net wraps around the outside of the cage poles and is 8 feet tall.

The barrier net improves safety by keeping spectators from standing up against the outside of the main net.

However it does not eliminate the possibility of injury, everyone involved with the hammer throw from spectators to athletes must show proper judgment.

**NOTE:**

1. The hammer cage barrier net is consists of two net sections, a net support cable, and connecting hardware.
2. If not already installed, install eyebolts in all of the net poles and door poles at 8 feet above the ground. The eye of the eyebolt should be on the outside of the hammer cage.
3. Starting at the door poles, hang the barrier net from the eyebolts using snap hooks.
4. At the end of the short section, lace the net support cable through the top of the barrier net. Connect the net support cable to both poles. Do not connect end of the short net section to the net pole, this will leave an opening to the rear access of the hammer cage. See top left drawing.

GILL ATH  
10/01/08