



www.gillathletics.com  
800-637-3090

## ALUMINUM FOOTBALL GOALS SPECIFICATIONS

Gill Athletics football goal posts are available in a variety of configurations. All aluminum goals are constructed of 6 5/8" diameter aluminum offset poles and crossbars with 4" diameter aluminum uprights. The durable powder coat finish is available in either white or yellow.

Each goal is designed for easy leveling of the crossbar and uprights. Goals with 8ft offsets allow a soccer goal to fit underneath the crossbar.

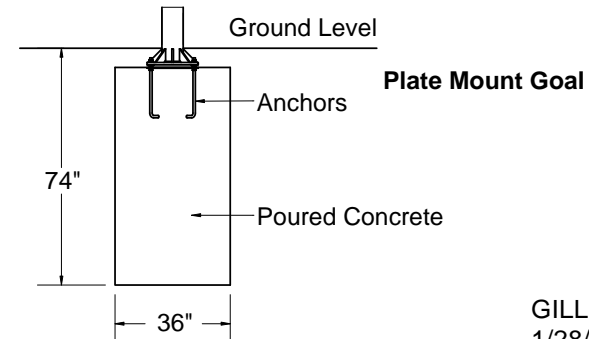
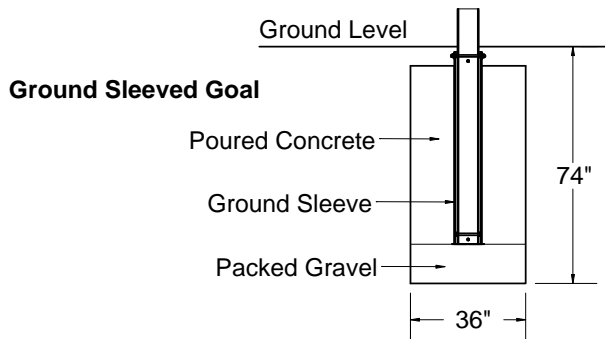
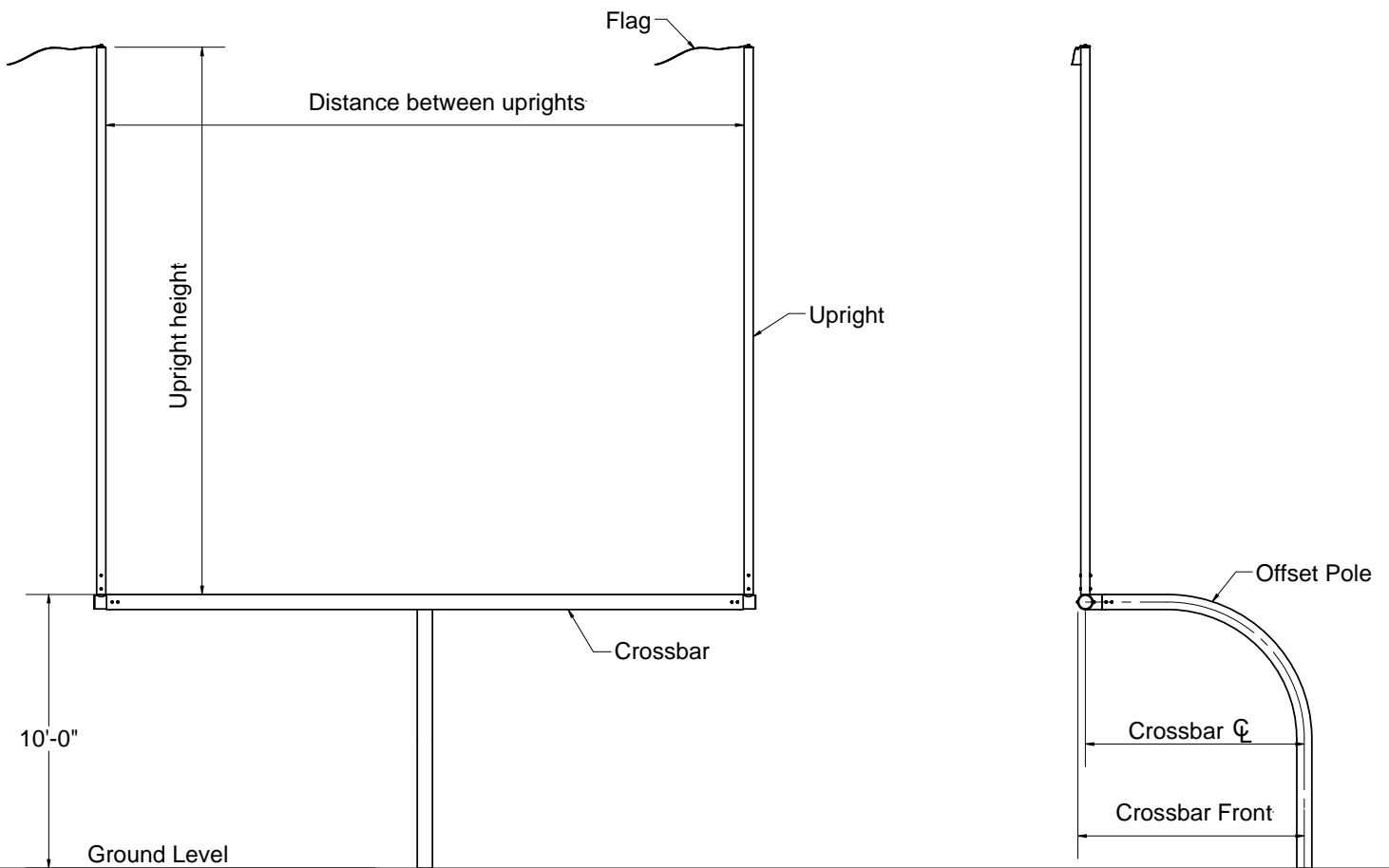
Football goals are sold in pairs. Ground sleeves and plate mounting kits are sold separately.

**Offset Pole:** 6" Sch 40 Aluminum Pipe (6.625" OD) 6063-T5

**Crossbar:** 6" Sch 40 Aluminum Pipe (6.625" OD) 6061-T6

**Upright:** 4" OD x 1/8" wall Aluminum Tube, 6061-T6511

Note: Local soil conditions will determine actual size of concrete foundations.





www.gillathletics.com  
800-637-3090

## ALUMINUM FOOTBALL GOALS SPECIFICATIONS

**Aluminum Football Goal Specification Table**

Part #	Installation Type	Offset Pole		Distance between uprights	Upright height
		Crossbar $\mathcal{C}$	Crossbar Front		
F300	Ground Sleeve	6'-6"	6'-9 3/8"	23'-4"	20'
F305	Ground Sleeve	8'-0"	8'-3 3/8"	23'-4"	20'
F307	Ground Sleeve	6'-6"	6'-9 3/8"	23'-4"	30'
F308	Ground Sleeve	8'-0"	8'-3 3/8"	23'-4"	30'
F310	Ground Sleeve	6'-6"	6'-9 3/8"	18'-6"	20'
F315	Ground Sleeve	8'-0"	8'-3 3/8"	18'-6"	20'
F320	Ground Sleeve	6'-6"	6'-9 3/8"	18'-6"	30'
F325	Ground Sleeve	8'-0"	8'-3 3/8"	18'-6"	30'
F340*	Ground Sleeve	6'-6"	6'-9 3/8"	18'-6" to 23'-4"	20'
F342*	Ground Sleeve	6'-6"	6'-9 3/8"	18'-6" to 23'-4"	30'
F345*	Ground Sleeve	8'-0"	8'-3 3/8"	18'-6" to 23'-4"	20'
F347*	Ground Sleeve	8'-0"	8'-3 3/8"	18'-6" to 23'-4"	30'
F361	Plate Mount	6'-6"	6'-9 3/8"	23'-4"	30'
F362	Plate Mount	8'-0"	8'-3 3/8"	23'-4"	20'
F366	Plate Mount	8'-0"	8'-3 3/8"	18'-6"	20'
F367	Plate Mount	8'-0"	8'-3 3/8"	18'-6"	30'

\* These goals feature special crossbars and joints that allow the uprights to be spaced at 18'-6" or 23'-4". These expandable crossbars include a safety catch so the upright will not rotate while adjusting.

F30005 - Goal Post Ground Sleeve (sold individually)

F35550 - Plate Mounting Kit (sold individually)

F304 - Access Frame Kit (sold individually)

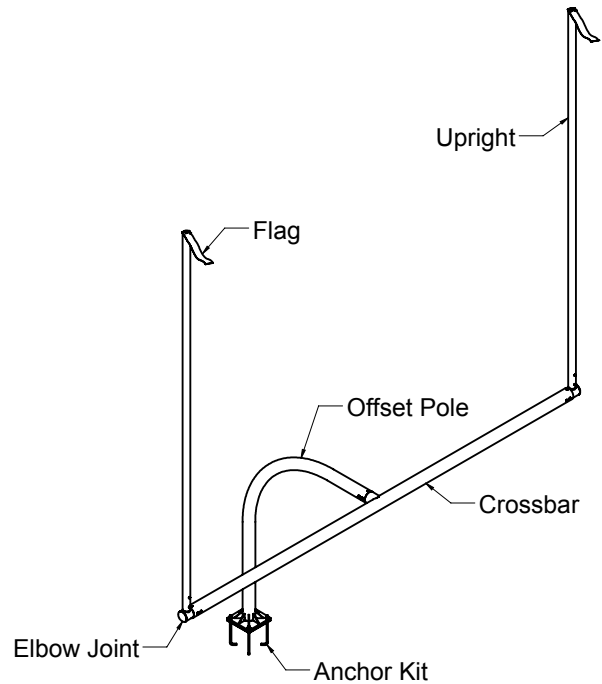
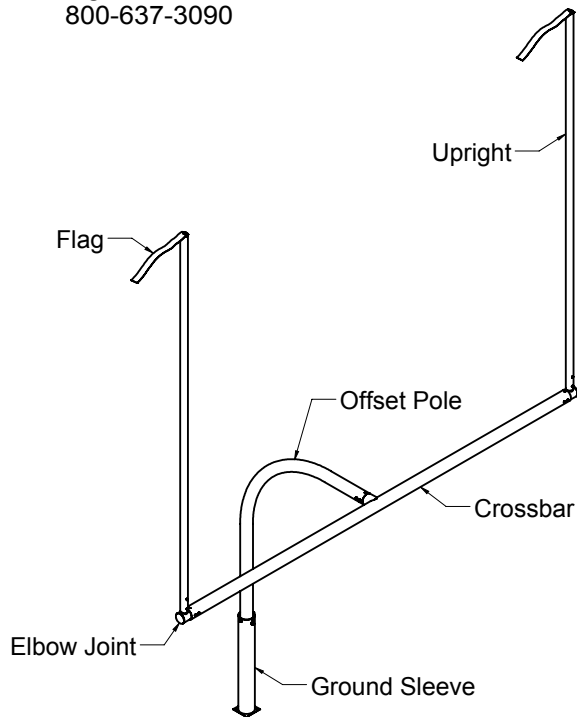
F302 - Football Goal Post Pads (sold in pairs)

GILL ATH  
1/28/2009



www.gillathletics.com  
800-637-3090

## ALUMINUM FOOTBALL GOALS INSTRUCTIONS



### WARNING

Football goals are shipped unassembled.

Read all instructions thoroughly before attempting to assemble this equipment.

Assembly of this equipment must be done by physically capable adults only. All installations should be conducted by experienced contractors and in accord with all applicable codes, laws and regulations. Suggested instructions herein are illustrative only and should be adapted to suit local requirements. Gill Athletics is not responsible for the manner in which this product is installed.

### WARNING

Read all warnings thoroughly before using this equipment. Failure to comply with the following instructions and warnings may result in serious injuries and/or property damage.

- DO NOT allow any individuals to climb onto these goal posts.
- Keep organic material away from the base of the posts. Grass, litter, etc. could cause corrosion and/or deterioration.
- Regularly check the entire structure for signs of corrosion and repaint with an exterior grade, rust-resistant enamel.
- Check structure before each use for loose or missing hardware, and repair before use.

The owner of this equipment is responsible to ensure that all individuals follow these safety and operating instructions to avoid injuries or property damage. Proper use and supervision of this equipment is essential to help reduce the possibility of accidents or injuries.

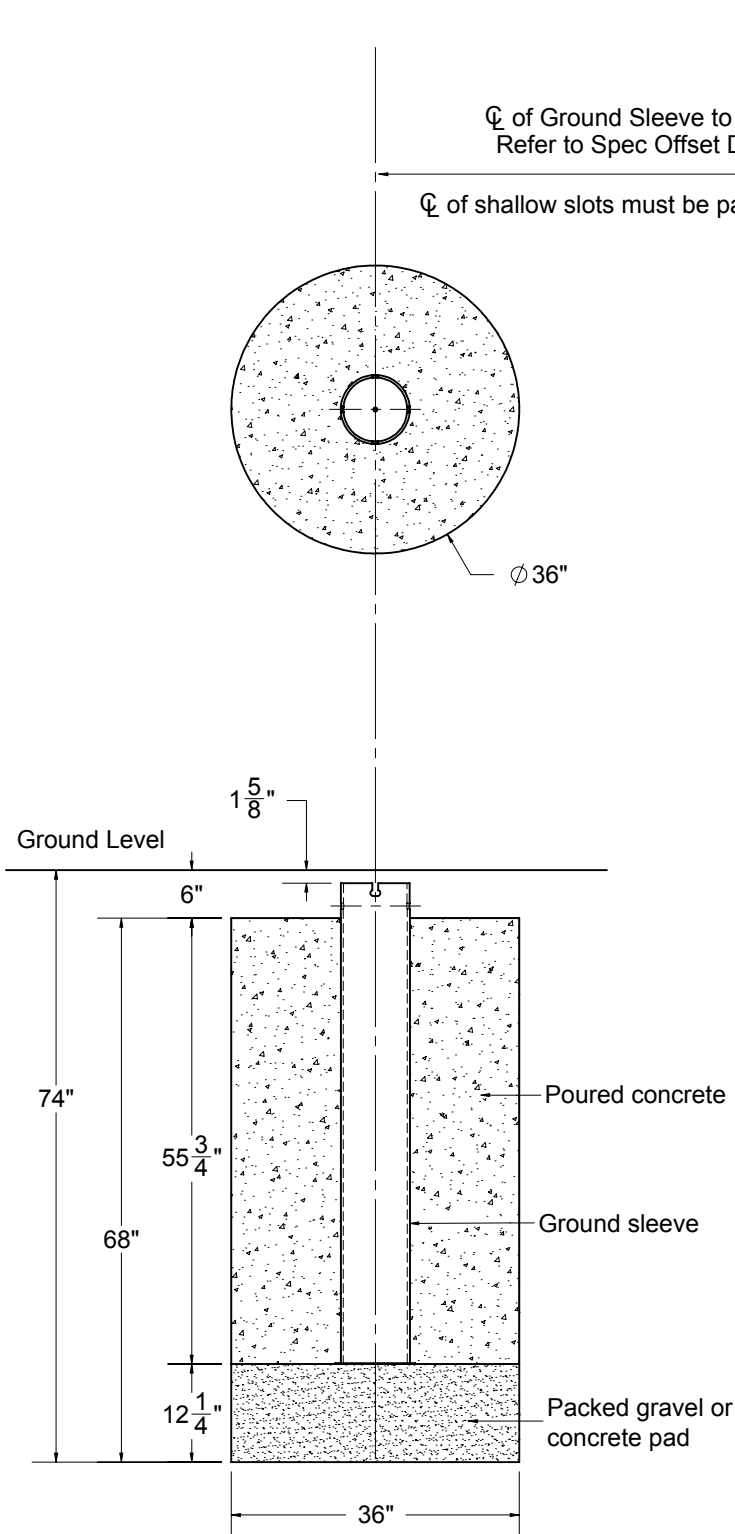
These football goal posts are provided with a factory-applied powder-coated finish. Great care must be taken during the installation of these goal posts to protect the finish from damage. An aerosol can of touch-up paint is provided with each pair of football goal posts. Check entire goal post for scratches that may have occurred during shipping or installation. Use the touch-up paint to repaint these scratches.



www.gillathletics.com  
800-637-3090

# ALUMINUM FOOTBALL GOAL INSTRUCTIONS GROUND SLEEVE INSTALLATION

Read all instructions before installing.



Local soil conditions will determine the actual size of concrete foundations. The following instructions are recommendations only, and should be considered minimums.

Locate the position of the goal post according to plans and specs. Excavate a hole which is at least 36" across and 74" deep. Set a form for a concrete foundation. A 36" diameter cardboard tube or corrugated metal pipe is recommended. The top of the form should be 6" below finished grade (for artificial infill turf fields, use top of infill material as finished grade elevation). Locate the formwork so that the ground sleeve will be centered within the form. Pour a flat, 12 1/4" deep concrete pad in the bottom of the formwork and let it set hard. A packed 12 1/4" deep bed of rocks will also suffice in most situations.

Center the ground sleeve on concrete pad or bed of rocks. Orient the sleeve so that an imaginary line through the upper (shallow) set of slots is parallel with the goal line. Place rock or fill material around the bottom of the sleeve to prevent it from moving. Using grade stakes and lumber, secure the top of the sleeve in a level and plumb position. It is critical that the sleeve be installed plumb. Final adjustment of the goal post depends on precise installation of the ground sleeve (a slight error at ground level translates to a much larger error at the top of the uprights).

Pour concrete around the outside of the sleeve to the top of the form being careful not to move the ground sleeve. The concrete must be allowed to fully cure before installing the offset pole into the ground sleeve.



www.gillathletics.com  
800-637-3090

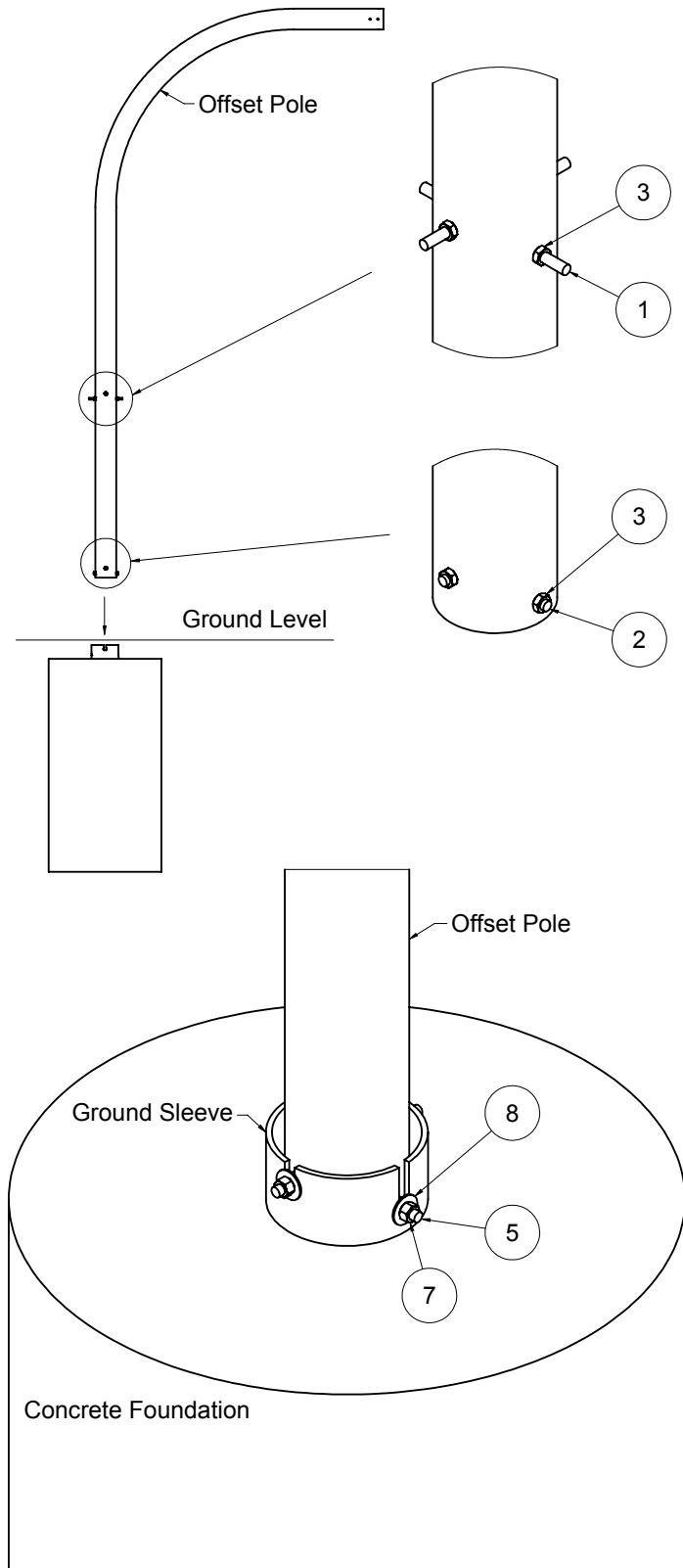
## ALUMINUM FOOTBALL GOAL INSTRUCTIONS GROUND SLEEVED OFFSET POLE INSTALLATION

	PART #	DESCRIPTION	QTY.
1	F30012	Pole Clamping Pin, 5/8" x 10 3/4"	2
2	F30011	Pole Centering Pin, 5/8" x 7 7/8"	2
3	M2292	5/8"-11 Jam Nut, Zinc Plated	8
4	M1237	5/8"-11 Hex Nut, Zinc Plated	4
5	M2835	5/8" Flat Washer, 1.75OD	4

Install the 5/8" x 7 7/8" threaded centering rods (F30011) through the two lower pairs of holes in the offset pole. Secure the rods with 5/8"-11 jam nuts (M2292), leaving an equal amount of rod protruding from all four holes. These rods will keep the bottom of the offset pole from shifting in the ground sleeve during final adjustment. Install the 5/8" x 10 3/4" threaded leveling rods (F30012) in the same fashion through the upper holes in the offset pole, securing with 5/8"-11 jam nuts (M2292).

**After the concrete foundation has fully cured**, set the offset pole into the ground sleeve, inserting the leveling rods into the appropriate set of notches in the top of the sleeve. Install the washers (M2835) and 5/8"-11 hex nuts (M1237) onto the leveling rods to the out side of the ground sleeve. Visually check the offset pole within the ground sleeve and hand tighten the four nuts.

Using a 4' level, check to see if the offset pole is plumb. If it is, tighten the nuts around the ground sleeve securely at this time. If adjustment is required, loosen the appropriate outer nuts a small amount (a turn at a time) and tighten the opposing outer nuts until snug, then recheck. Continue this adjustment process until the offset pole is plumb. Securely tighten the four outer nuts.





www.gillathletics.com  
800-637-3090

## ALUMINUM FOOTBALL GOAL INSTRUCTIONS MOUNTING PLATE INSTALLATION

	PART #	DESCRIPTION	QTY.
1	M2880	Mounting Plate, Anchor Pattern	1
2	M2765	3/4" SS Anchor Bolt, 18" L-Hook	4
3	M2776	3/4"-10 SS Hex Nut	12

Read all instructions before installing.

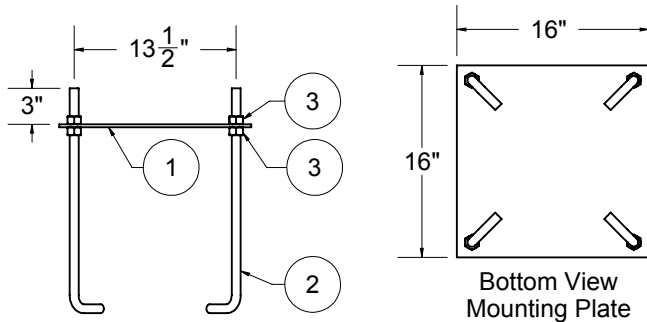
Local soil conditions will determine the actual size of concrete foundations. The following instructions are recommendations only, and should be considered minimums.

Locate the position of the goal post according to plans and specs. Excavate a hole which is at least 36" across and 74" deep. Set a form for a concrete foundation. A 36" diameter cardboard tube or corrugated metal pipe is recommended. The top of the form should be 6" below finished grade (for artificial infill turf fields, use top of infill material as finished grade elevation). Locate the formwork so that the mounting plate and anchors will be centered within the form.

Assemble the mounting plate and anchors as shown. Set the height and position of the anchor to the plate by clamping the plate between two nuts.

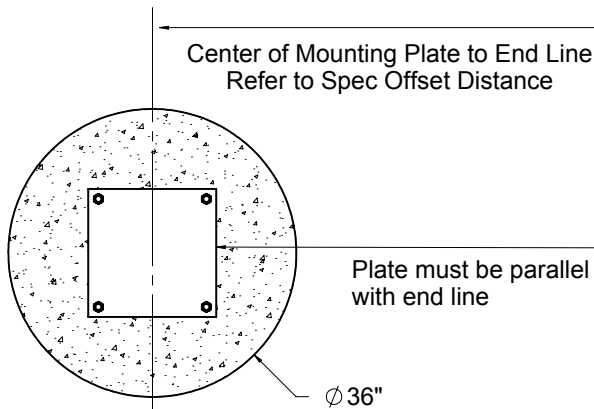
Using grade stakes and lumber, secure the mounting plate and anchors in position so that it is centered within the form and the top of the plate is even with the top of the forms, 6" below ground level. Orient the plate so that it is parallel with the goal line. Using grade stakes and lumber, secure the mounting plate and anchors in position so that it is centered within the form and the top of the plate is even with the top of the forms, 6" below ground level. Final adjustment of the goal post depends on precise installation of the mounting plate and anchors (a slight error at ground level translates to a much larger error at the top of the uprights).

Pour concrete to the top of the form being careful not to move the mounting plate. Vibrate the concrete to insure there are no voids in the foundation. Take care not to get any concrete on the threads of the anchors above the mounting plate. The concrete must be allowed to fully cure before mounting the offset pole to the anchors.



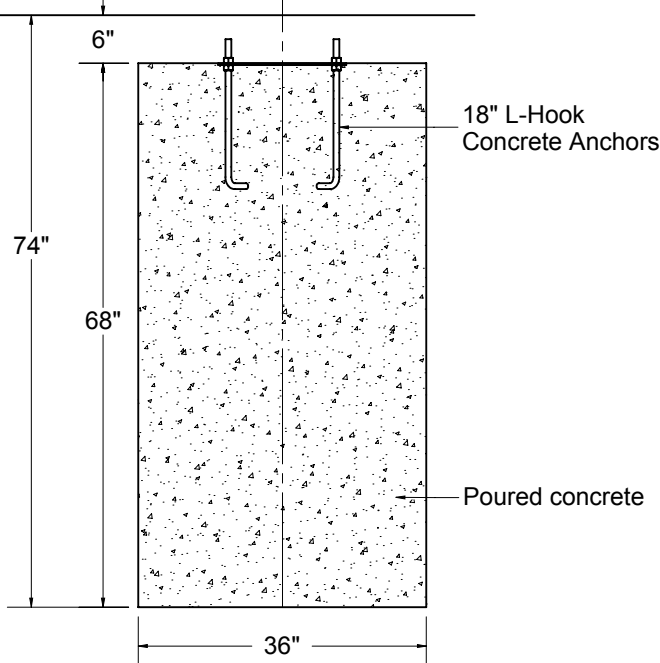
Bottom View  
Mounting Plate

End Line



Ø 36"

Ground Level



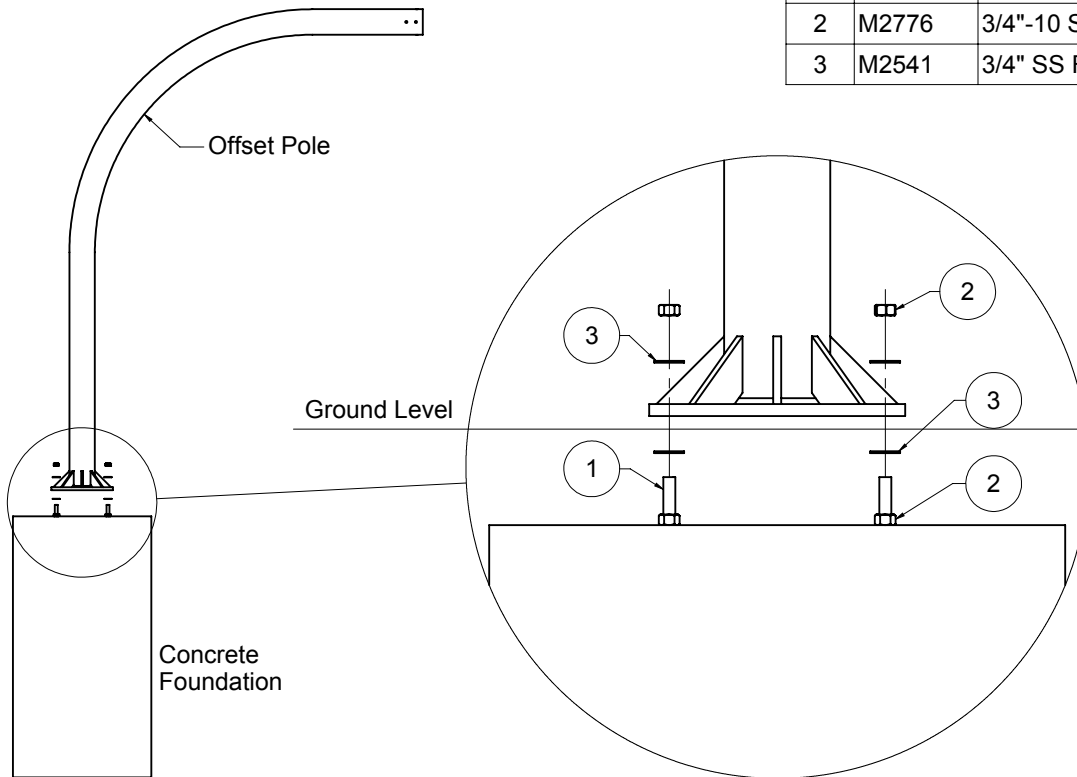
Poured concrete



www.gillathletics.com  
800-637-3090

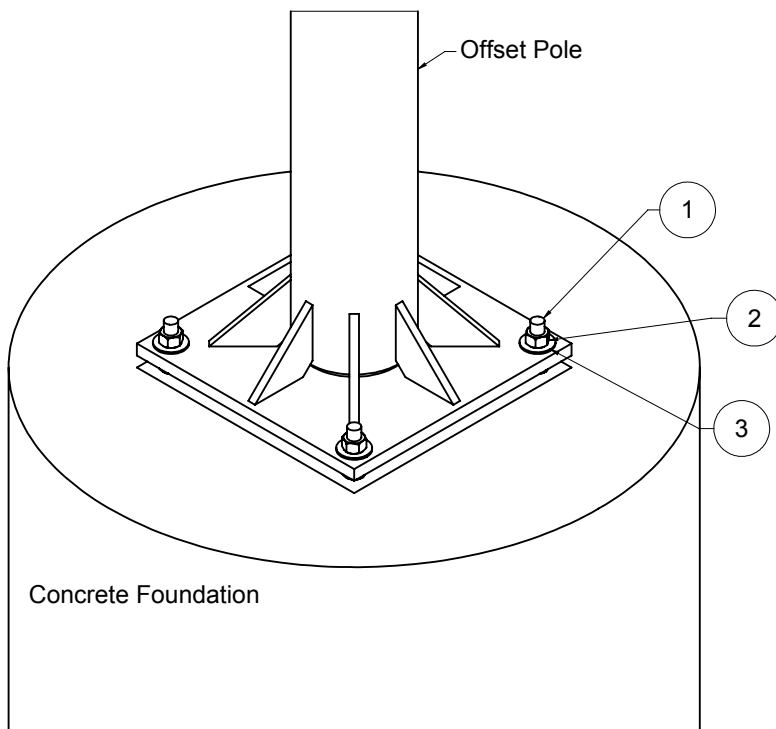
## ALUMINUM FOOTBALL GOAL INSTRUCTIONS PLATE MOUNT OFFSET POLE INSTALLATION

	PART #	DESCRIPTION	QTY.
1	M2765	3/4" SS Anchor Bolt, 18" L-Hook	4
2	M2776	3/4"-10 SS Hex Nut	12
3	M2541	3/4" SS Flat Washer	8



**After the concrete foundation has fully cured,** bolt the offset pole to the foundations using 3/4"-10 SS hex nuts (M2776) and washers (M2541) as shown.

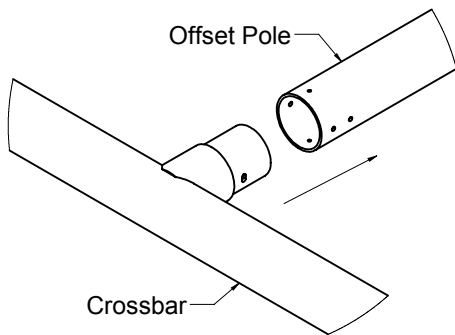
Using a 4' level, check to see if the offset pole is plumb. If it is, tighten all the nuts securely at this time. If adjustment is required, loosen the appropriate top nuts a small amount (a turn at a time) and tighten the bottom nuts up against the bottom of the offset pole plate. Recheck the offset pole for plumb. Continue this adjustment process until the offset pole is plumb. Securely tighten all nuts.



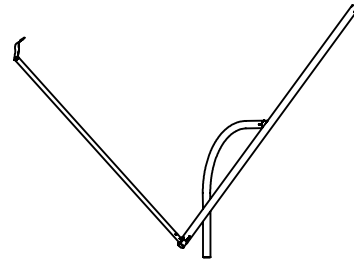


www.gillathletics.com  
800-637-3090

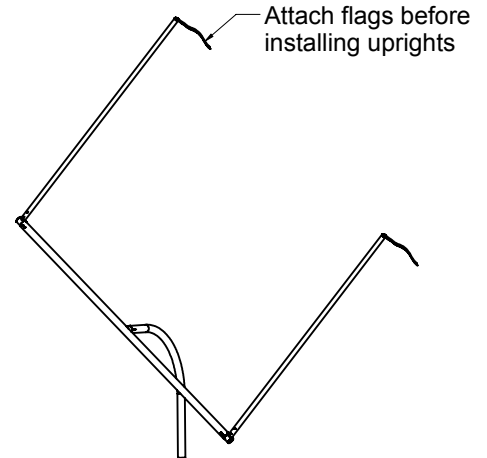
## ALUMINUM FOOTBALL GOALS CROSSBAR INSTALLATION



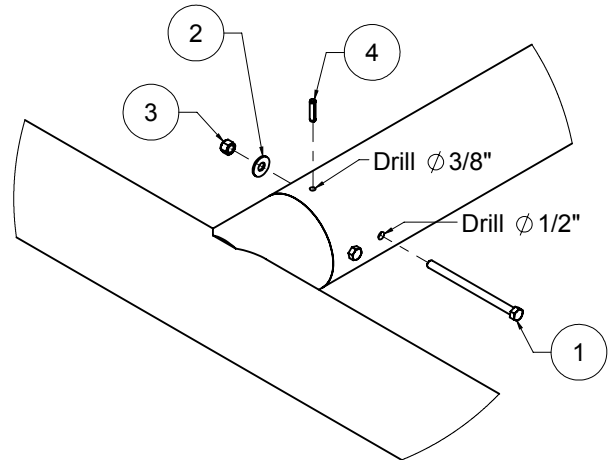
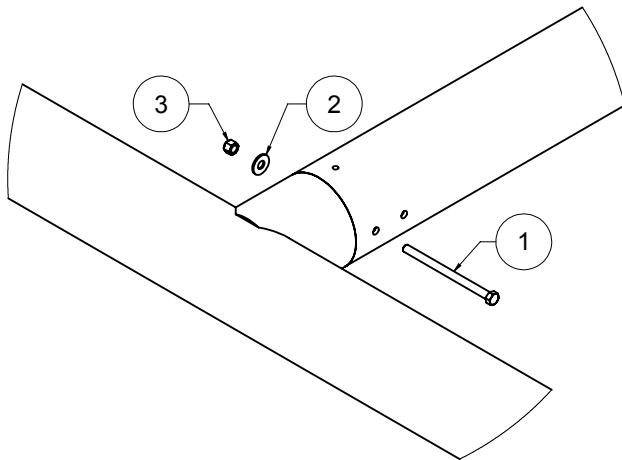
Insert the crossbar joint completely into the offset pole.



With caution tilt the crossbar to bring one end down to a few feet above ground level. Install elbow joint and upright (details on separate page). Lower the other side of the crossbar and install the other elbow joint and upright.



Use extreme caution while performing these steps. Do not stand under the crossbar and watch the crossbar insert to make sure the joint is not slipping out.



After the uprights are installed rotate the crossbar back to level, using a 4' level at the center of the crossbar and bolt through with 1/2"-13 x 7 1/2" hex bolt (M2784), washer (M1268), and nylock hex nut (M2232).

Using the second hole in the offset pole as a guide drill a  $\phi 1/2''$  hole through the crossbar insert (both sides) and through bolt.

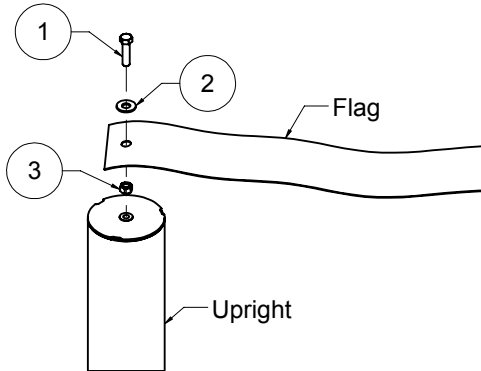
Using the  $\phi 3/8''$  holes on the top and bottom of the offset pole as guides, drill  $\phi 3/8''$  holes into the crossbar insert. Install 3/8" x 1 1/2" spring pins (M25073).

	PART #	DESCRIPTION	QTY.
1	M2784	1/2"-13 x 7 1/2" Hex Bolt, Gr 5	6
2	M1268	1/2" Flat Washer	10
3	M2232	1/2"-13 Nylock Hex Nut	6
4	M25073	3/8" x 1.5" Spring Pin, Zinc Plated	6



www.gillathletics.com  
800-637-3090

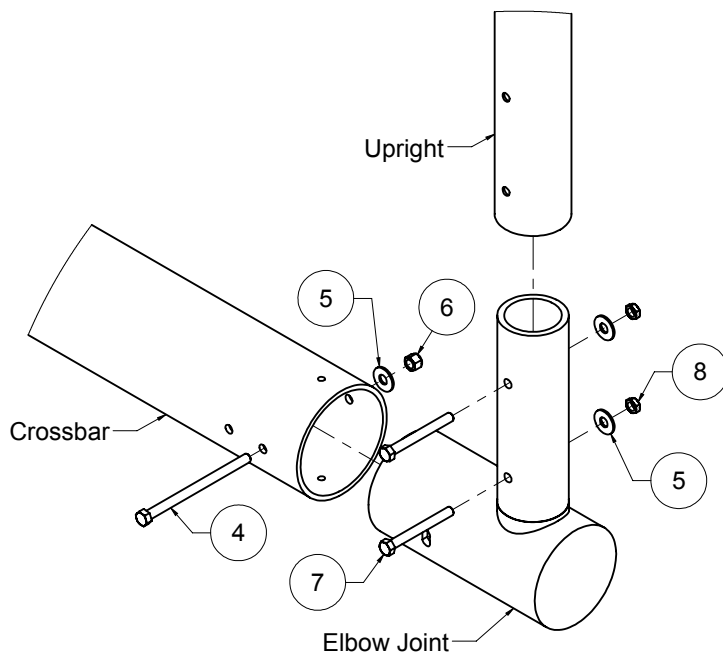
## ALUMINUM FOOTBALL GOALS UPRIGHT INSTALLATION



Attach the flags to the top of the uprights before installing the uprights.

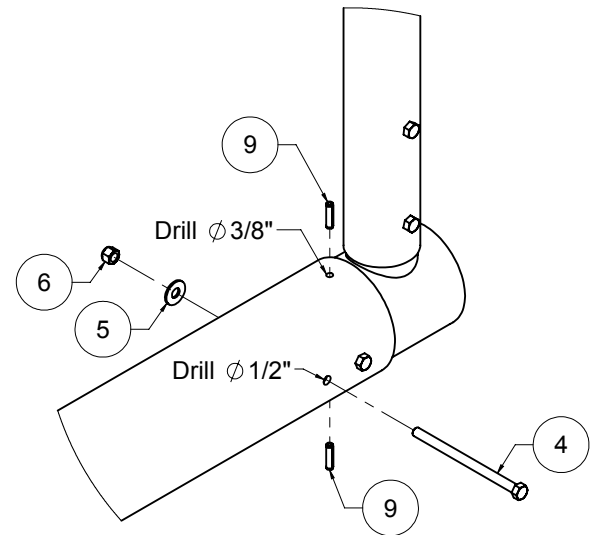
Insert the 3/8"-16 x 1 1/2" hex bolt (M2284) through the 3/8" flat washer (M2271) and the grommet in the flag. Thread the 3/8"-16 hex nut (M1236) onto the bolt, capturing the flag and washer. Thread the bolt into the hole on top of the upright. Tighten the nut down against the top of the upright. Make sure that the flag can spin freely.

	PART #	DESCRIPTION	QTY.
1	M2284	3/8"-16 x 1 1/2" Hex Bolt	2
2	M2271	3/8" Flat Washer	2
3	M1236	3/8"-16 Hex Nut	2
4	M2784	1/2"-13 x 7 1/2" Hex Bolt, Gr 5	6
5	M1268	1/2" Flat Washer	10
6	M2232	1/2"-13 Nylock Hex Nut	6
7	M2270	1/2"-13 x 4 1/2" Hex Bolt Gr 5	4
8	M1293	1/2"-13 Thin Nylock Hex Nut	4
9	M25073	3/8" x 1.5" Spring Pin, Zinc Plated	6
25	M3036A	Tube, AL, 4"OD x .125" WL x 240", 6061-T6	2



Insert the elbow joint into the crossbar and secure it with 1/2"-13 x 7 1/2" hex bolt (M2784), 1/2" washer (M1268), and nylock hex nut (M2232).

Slide the upright onto the elbow joint and secure it with 1/2"-13 x 4 1/2" hex bolts (M2270), 1/2" washers (M1268), and thin nylock hex nuts (M1293).



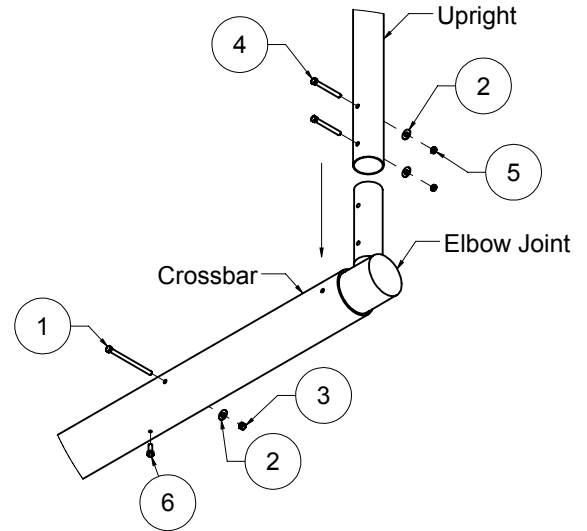
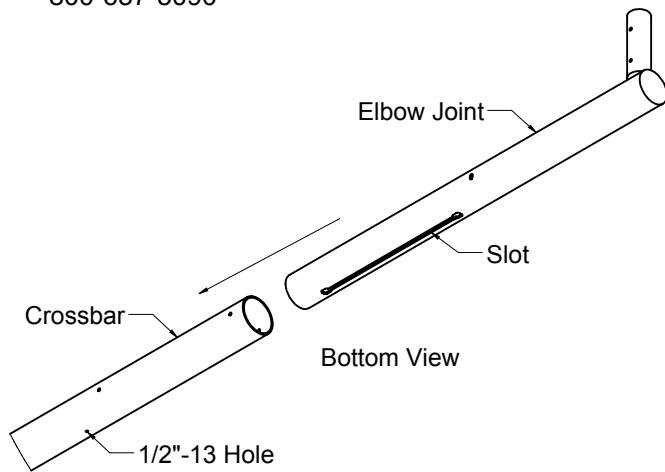
After the crossbar is leveled, loosen the bolt securing the elbow joint in the crossbar. Use a 4' level and rotate the upright till it is plumb. Re-tighten the bolt.

Using the holes in the crossbar as guides drill holes into the elbow joint as shown. Install  $\phi$  3/8" x 1 1/2" spring pins (M25073) into the holes on the top and bottom of the crossbar. Through bolt the holes on the front and back of the crossbar using  $\phi$  1/2" hardware.



www.gillathletics.com  
800-637-3090

## ALUMINUM FOOTBALL GOAL EXPANDABLE ELBOW JOINT INSTALLATION



The expandable goals utilize a special crossbar and elbow joints. When installing the crossbar make sure that the 1/2"-13 threaded hole is facing down. This hole must line up with the slot on the bottom of the elbow joint.

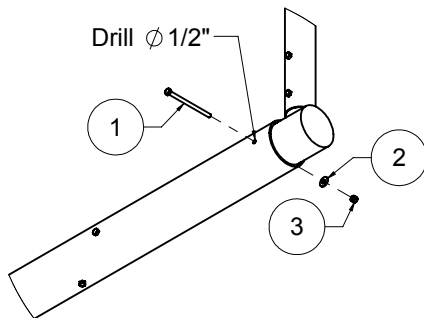
Install the flags on top of the uprights as shown on the Upright Installation page.

Insert the elbow joint into the crossbar.

Secure the elbow joint with 1/2"-13 x 7 1/2" hex bolt (M2784), 1/2" washer (M1268), and nylock hex nut (M2232). Thread 1/2"-13 x 1 1/4" bolt (M2234) into the hole on the bottom of the crossbar.

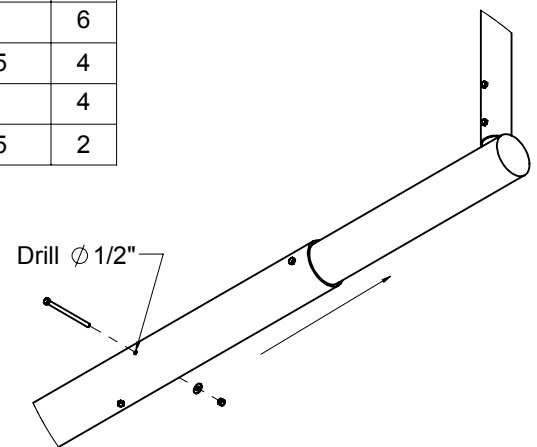
Slide the upright onto the elbow joint and secure it with 1/2"-13 x 4 1/2" hex bolts (M2270), 1/2" washers (M1268), and thin nylock hex nuts (M1293).

	PART #	DESCRIPTION	QTY.
1	M2784	1/2"-13 x 7 1/2" Hex Bolt, Gr 5	6
2	M1268	1/2" Flat Washer	10
3	M2232	1/2"-13 Nylock Hex Nut	6
4	M2270	1/2"-13 x 4 1/2" Hex Bolt Gr 5	4
5	M1293	1/2"-13 Thin Nylock Hex Nut	4
6	M2234	1/2"-13 x 1 1/4" Hex Bolt, Gr5	2



After the crossbar is leveled, loosen the bolt securing the elbow joint in the crossbar. Use a 4' level and rotate the upright till it is plumb. Re-tighten the bolt.

Using the hole in the crossbar as a guide, drill a  $\phi$  1/2" hole through the elbow joint insert (both sides) and bolt in place.



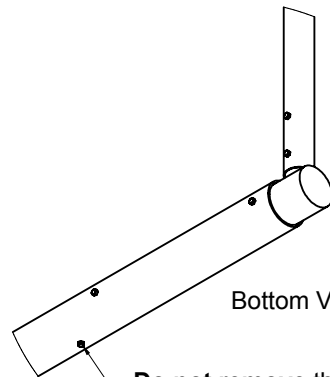
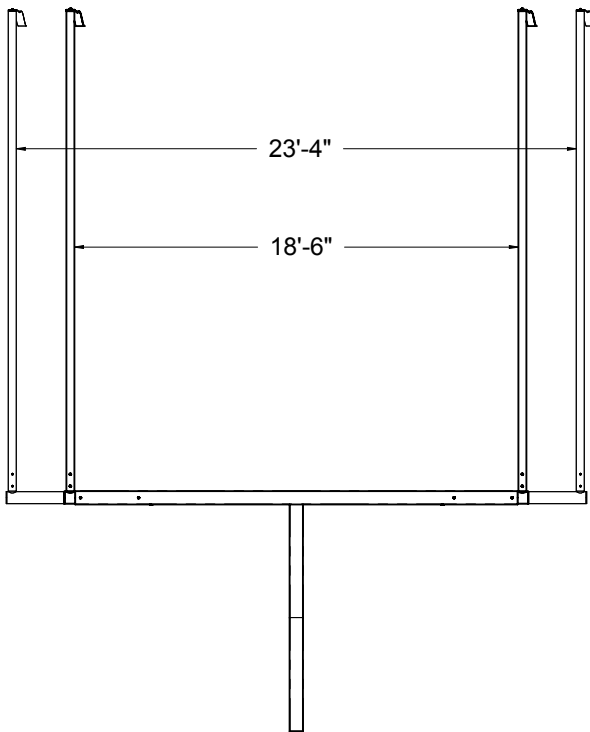
Remove both bolts securing the elbow joint, and slide it out to the extended position. Bolt the elbow joint in position using the hole closest to the end. Use a 4' level and rotate the upright till it is plumb and tighten the bolt.

Using the hole in the crossbar as a guide, drill a  $\phi$  1/2" hole through the elbow joint insert (both sides) and bolt in place.



www.gillathletics.com  
800-637-3090

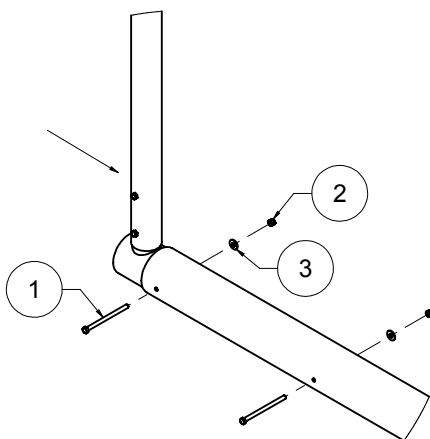
## ALUMINUM FOOTBALL GOAL EXPANDABLE GOAL OPERATION



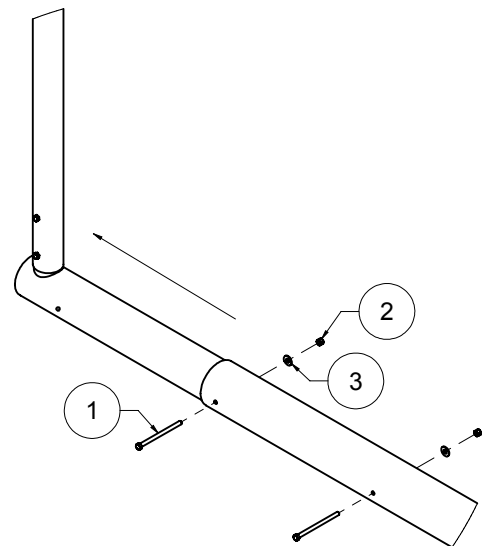
Bottom View

**Do not remove** the bolt from the bottom of the crossbar. This bolt prevents the crossbar from rotating during adjustments and helps align the holes in the crossbar and elbow joint at each position.

	PART #	DESCRIPTION
1	M2784	1/2"-13 x 7 1/2" Hex Bolt, Gr 5
2	M2232	1/2"-13 Nylock Hex Nut
3	M1268	1/2" Washer



To change the goal to the 18'-6" width, remove the bolts from the crossbar and carefully slide the elbow joint in until the holes in the crossbar line up with the holes in the elbow joint. Re-install the bolts.



To change the goal to the 23'-4" width, remove the bolts from the crossbar and carefully slide the elbow joint out until the holes in the crossbar line up with the holes in the elbow joint. Re-install the bolts.