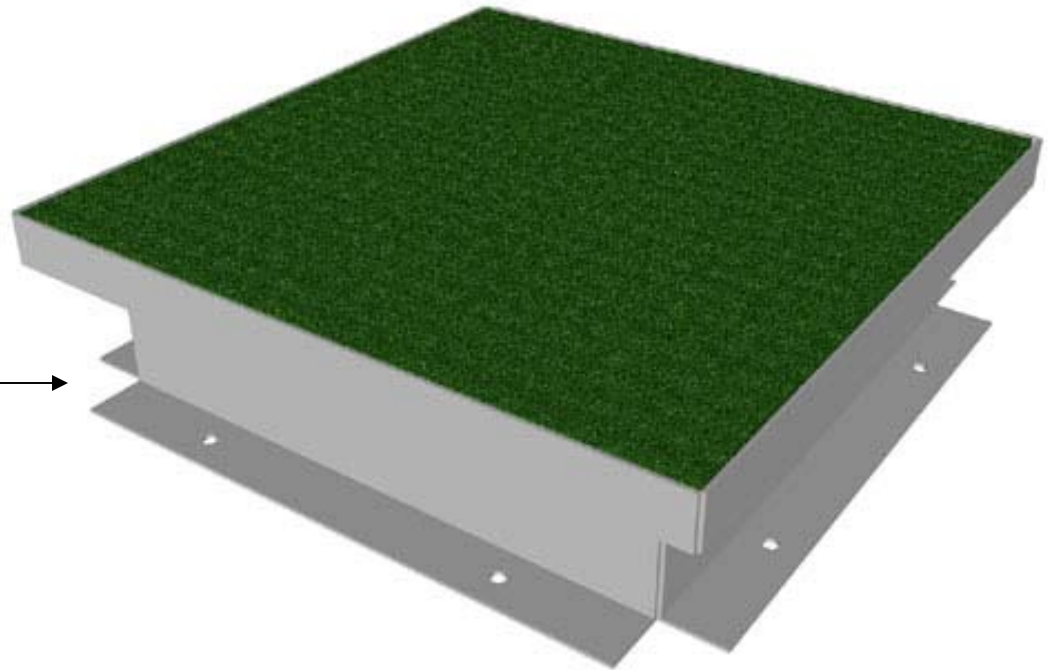


← F304 Access Frame  
Fits snugly around the gooseneck



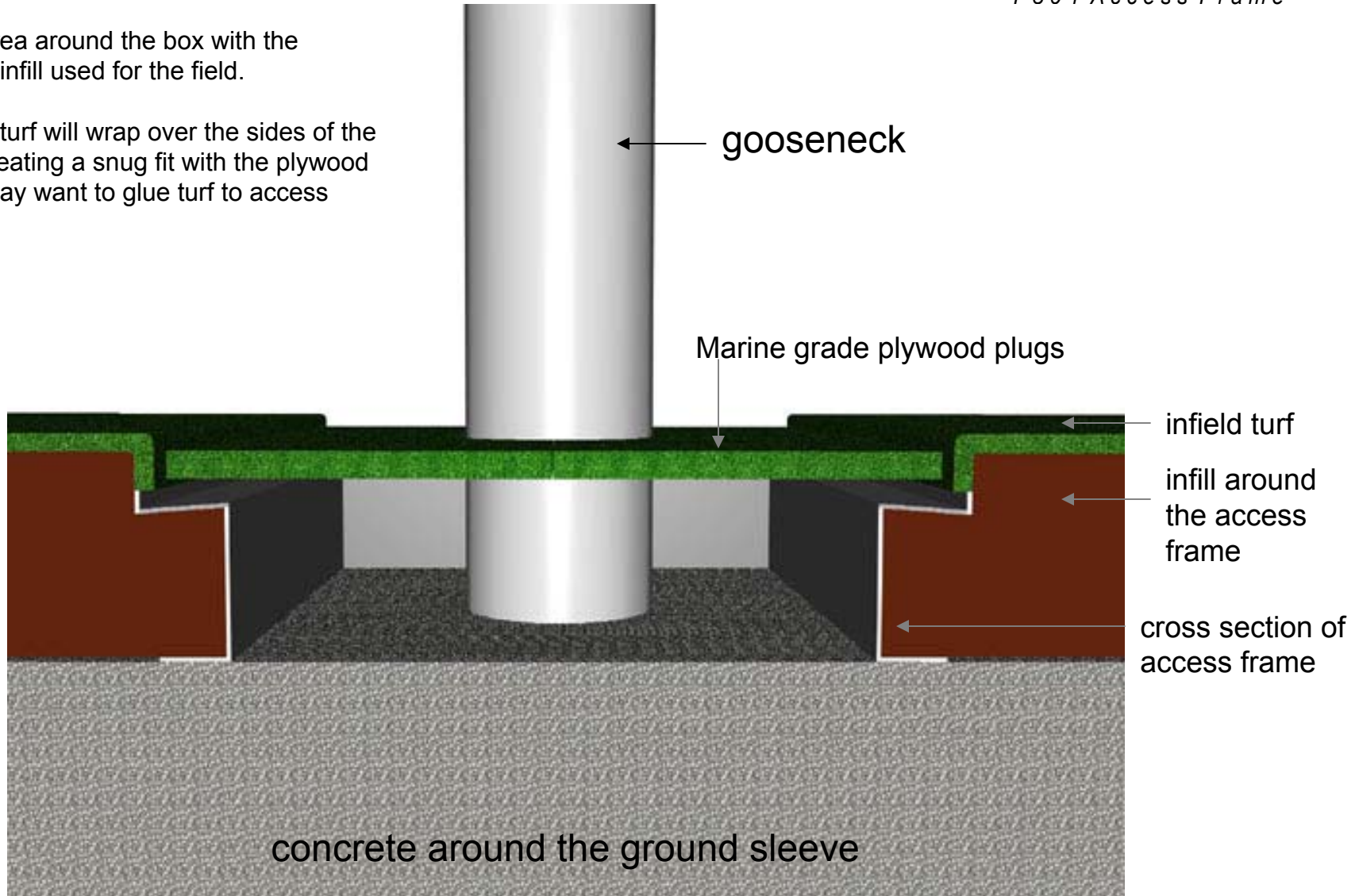
F3045 solid plug addition →  
When the goals are not installed

Installation:

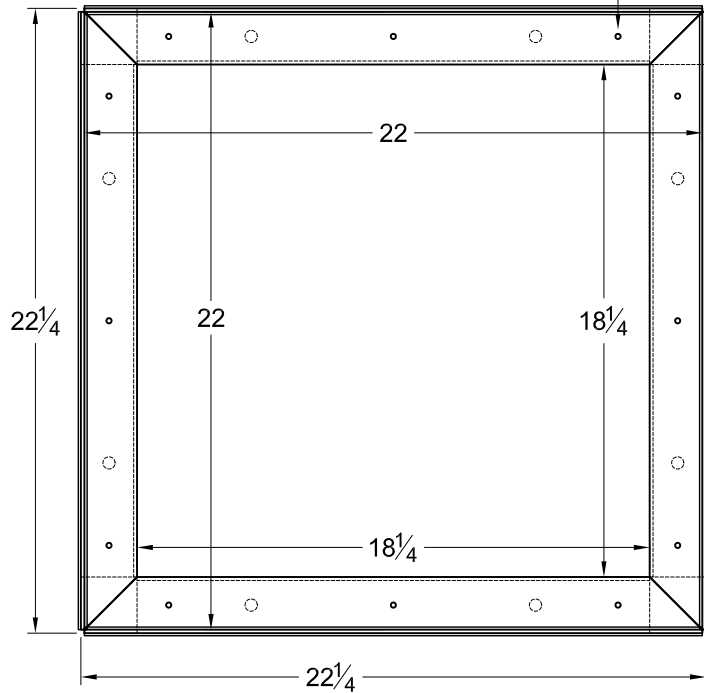
Anchor the access frame through the holes provided into concrete underneath.

Fill the area around the box with the common infill used for the field.

The field turf will wrap over the sides of the frame, creating a snug fit with the plywood plugs. (may want to glue turf to access frame)

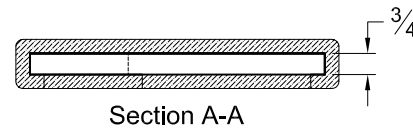
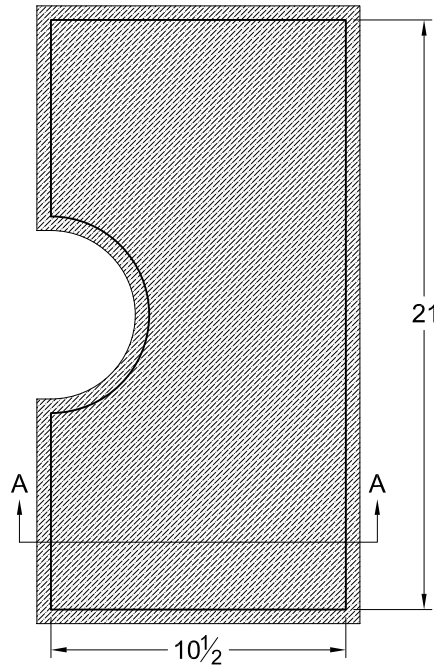


Access Frame is constructed from 1/8" Aluminum sheet.



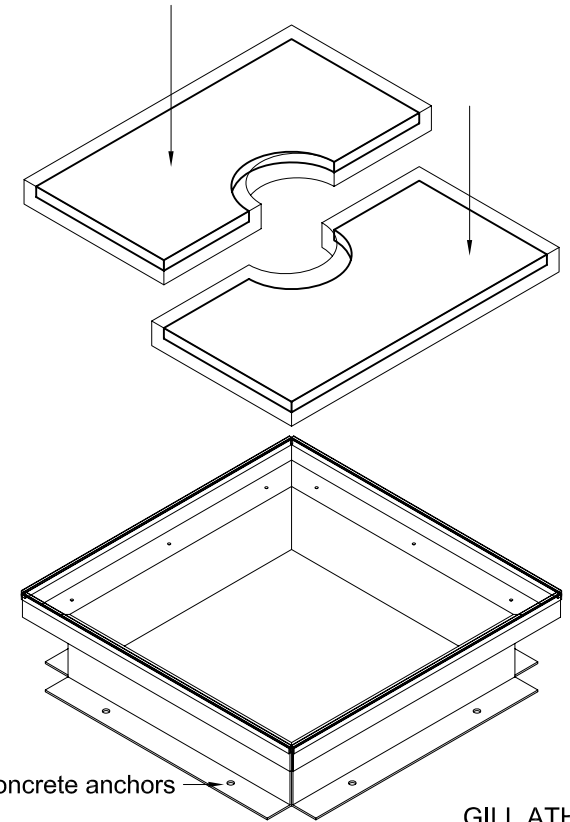
Ø<sup>3</sup>/<sub>16</sub>" hole for wood furring strip attachment if needed

Pole plug is constructed from 3/4" Marine Plywood, and 1/2" Artificial Turf.



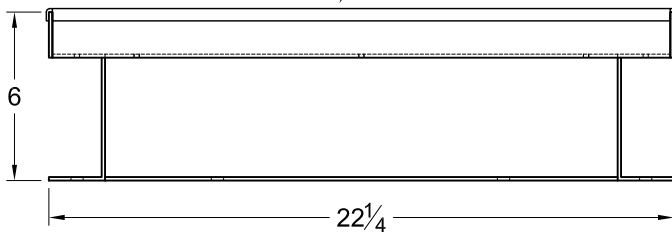
- Parts List:  
(1) Access Frame  
(2) Pole Plugs

Pole Plugs drop into access frame around foot ball goal post. Turf provides a snug fit against access frame and goal post.



Ø<sup>7</sup>/<sub>16</sub>" holes for concrete anchors

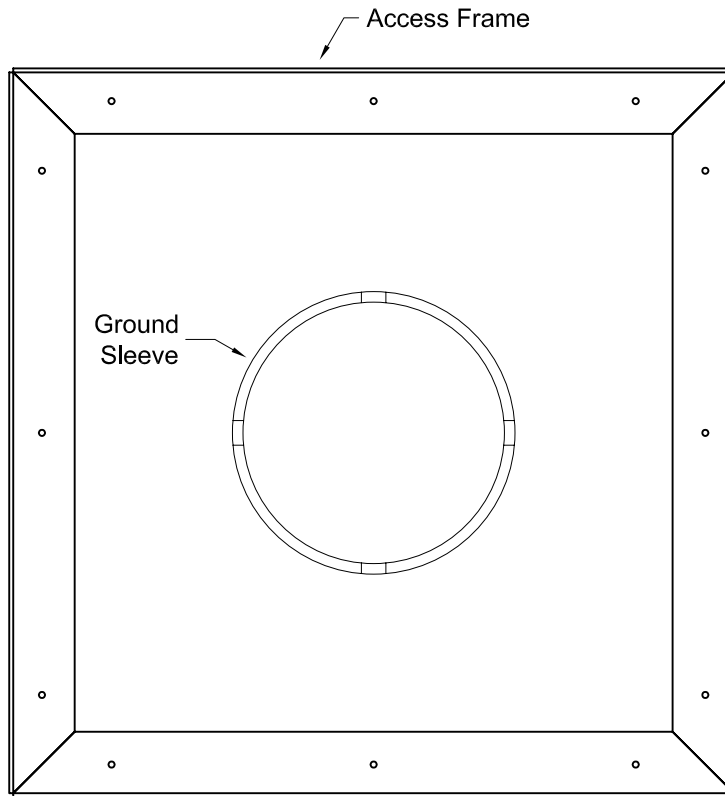
Top edge of access frame has protective edge trim.



# FOOT BALL GOAL ACCESS FRAME INSTALLATION INSTRUCTIONS

Install the access frame before installing the goose neck into the ground sleeve.

Access frame must be centered over ground sleeve.



Anchor the access frame to the concrete pier.

For Infill Turf fields fasten a treated 2x4 under the access frame lip for the turf to be stapled to.

