



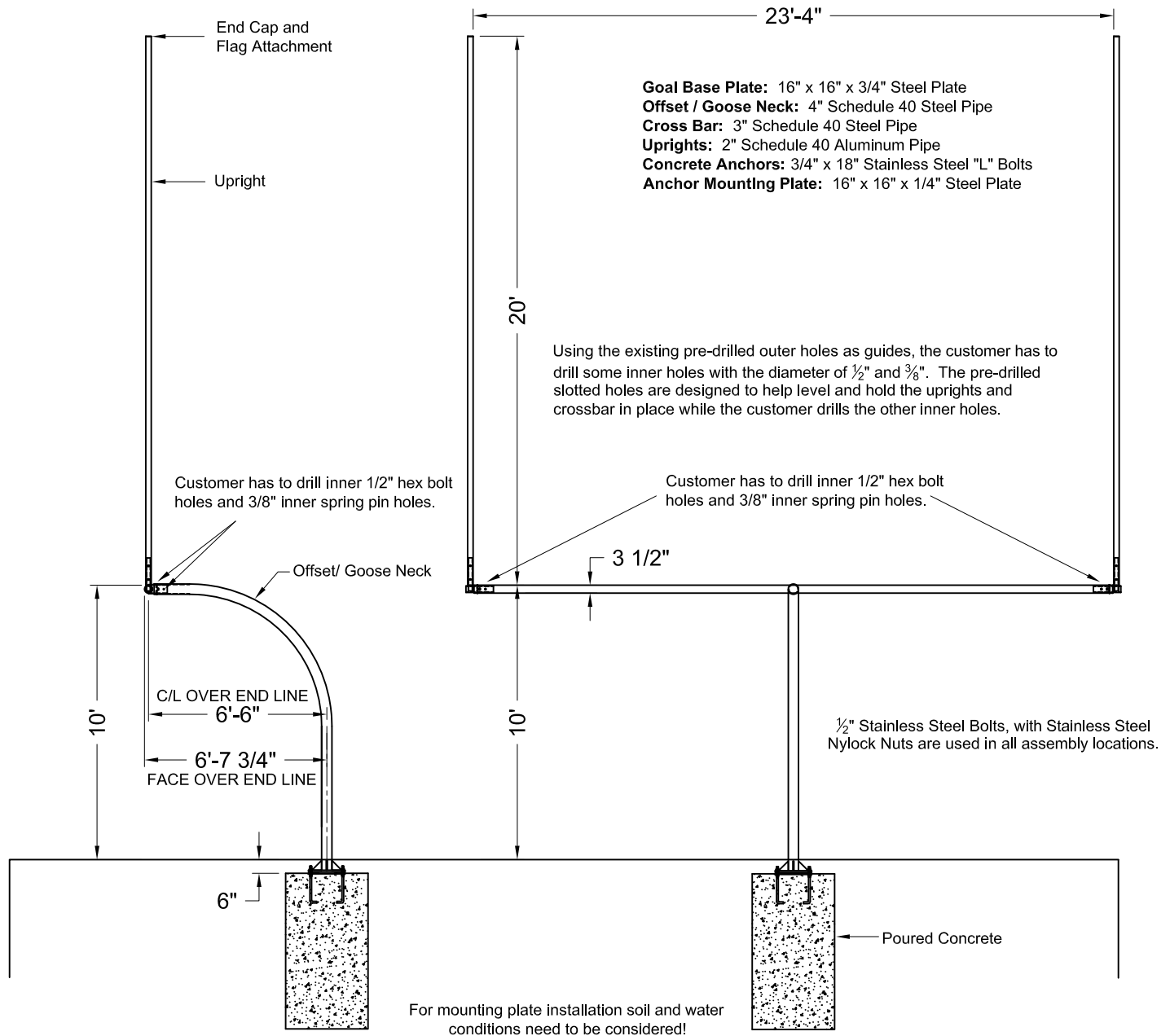
www.gillathletics.com
800-637-3090

F355 - STEEL FOOTBALL GOAL POST, HIGH SCHOOL 6'-6" OFFSET

SPECIFICATIONS

Gill Athletics steel goal posts are constructed of schedule 40 steel pipe with a 4 1/2" diameter gooseneck offset and a 3 1/2" diameter crossbar. The uprights are 2 3/8" diameter aluminum tube. Assembly hardware is stainless steel. A durable powder coat finish is available in either white or yellow.

Each goal includes a goal anchor kit and is designed for easy leveling of the crossbar and uprights. The gooseneck post comes with a 6 1/2ft offset. An 8ft offset goal, F356, is also available which allows a soccer goal to fit underneath the crossbar. All goals are sold in pairs.





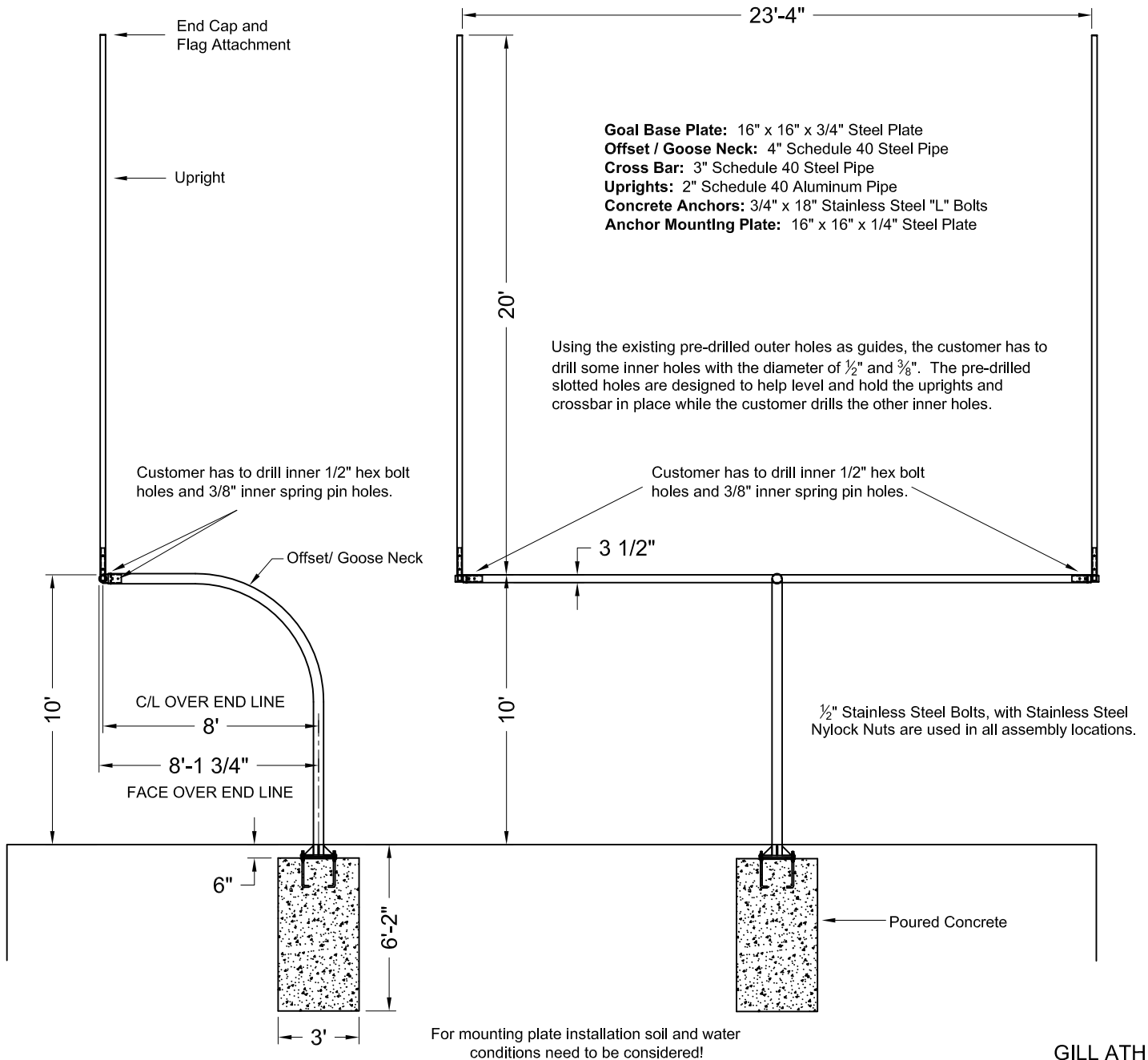
www.gillathletics.com
800-637-3090

F356 - STEEL FOOTBALL GOAL POST, HIGH SCHOOL 8'-0" OFFSET

SPECIFICATIONS

Gill Athletics steel goal posts are constructed of schedule 40 steel pipe with a 4 1/2" diameter gooseneck offset and a 3 1/2" diameter crossbar. The uprights are 2 3/8" diameter aluminum tube. Assembly hardware is stainless steel. A durable powder coat finish is available in either white or yellow.

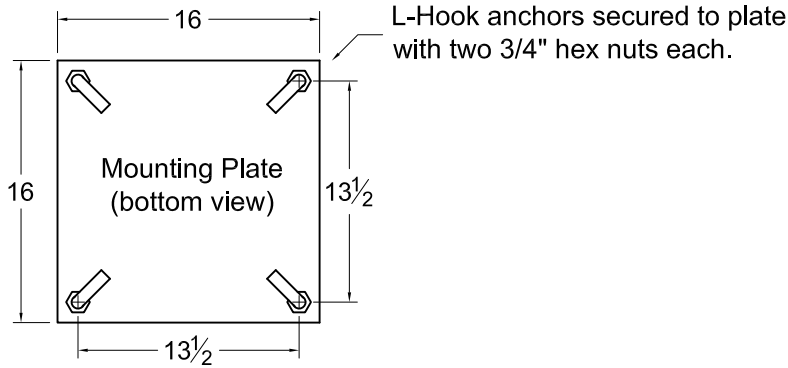
Each goal includes a goal anchor kit and is designed for easy leveling of the crossbar and uprights. The gooseneck post comes with an 8ft offset. A 6 1/2ft offset goal, F355, is also available. All goals are sold in pairs.



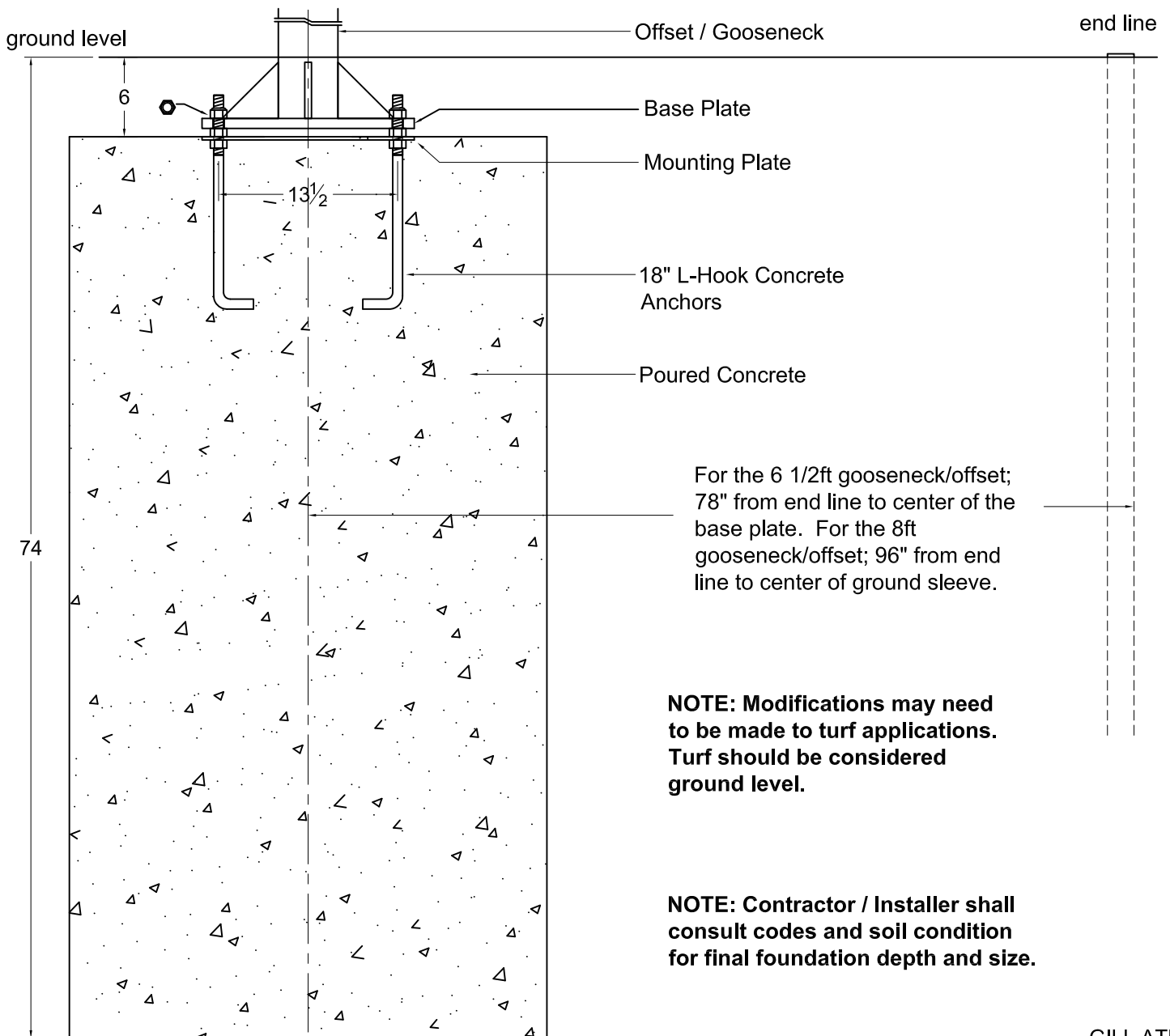


www.gillathletics.com
800-637-3090

BASE PLATE CONCRETE PIER INSTRUCTIONS



NOTE: The front edge of the leveling plate must be orientated so that it is parallel with the goal line.



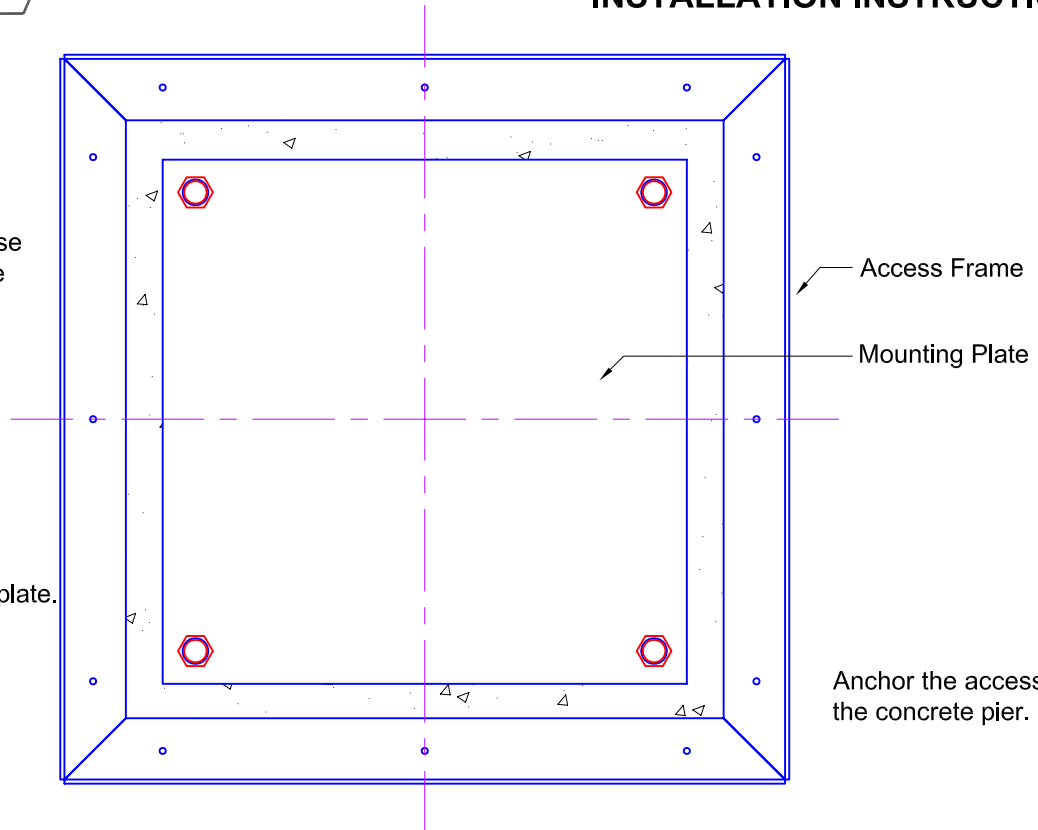
NOTE: Modifications may need to be made to turf applications. Turf should be considered ground level.

NOTE: Contractor / Installer shall consult codes and soil condition for final foundation depth and size.

**OPTIONAL F304 GOAL ACCESS FRAME
 INSTALLATION INSTRUCTIONS**

Install the access frame before attaching the goose neck/ base plate onto the mounting plate.

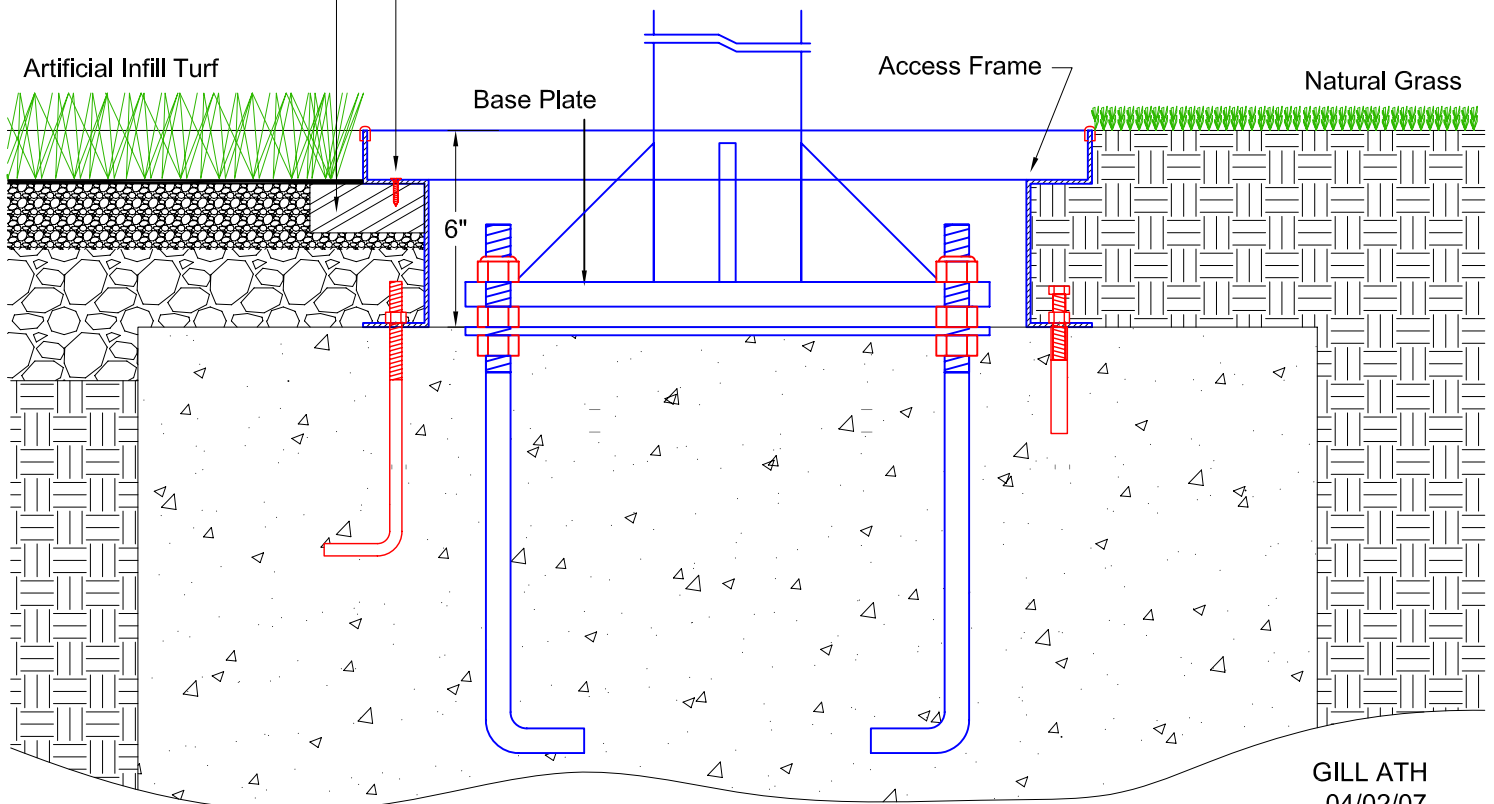
Access frame must be centered over mounting plate.



Anchor the access frame to the concrete pier.

For Infill Turf fields fasten a treated 2x4 under the access frame lip for the turf to be stapled to.

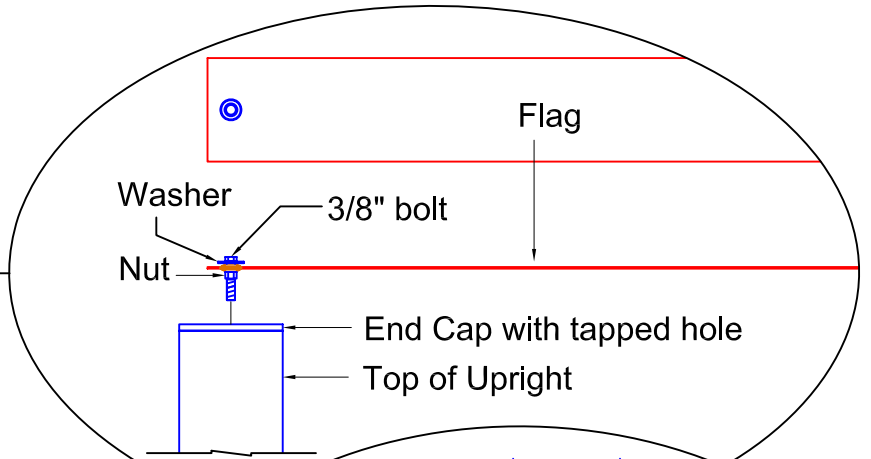
Ø³/₁₆" hole will accept most drywall and deck screws



Hardware Per Goal

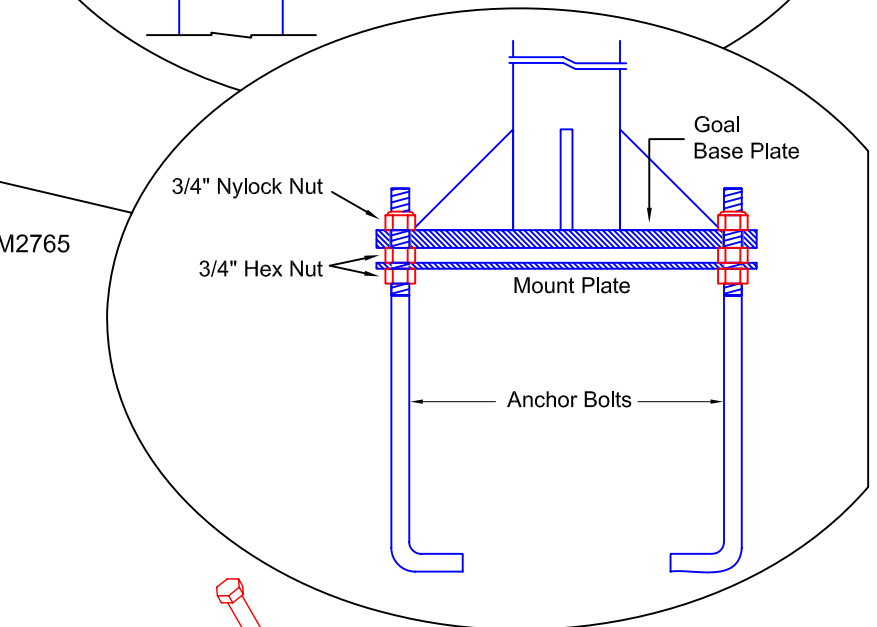
Flag Hardware

- (2) Red Flags W/Grommets - F303
- (2) 3/8" x 1.5 Hex Bolt - M2284
- (2) 3/8" Washer - M2271
- (2) 3/8" - 16 Nylock Hex Nut - M1291



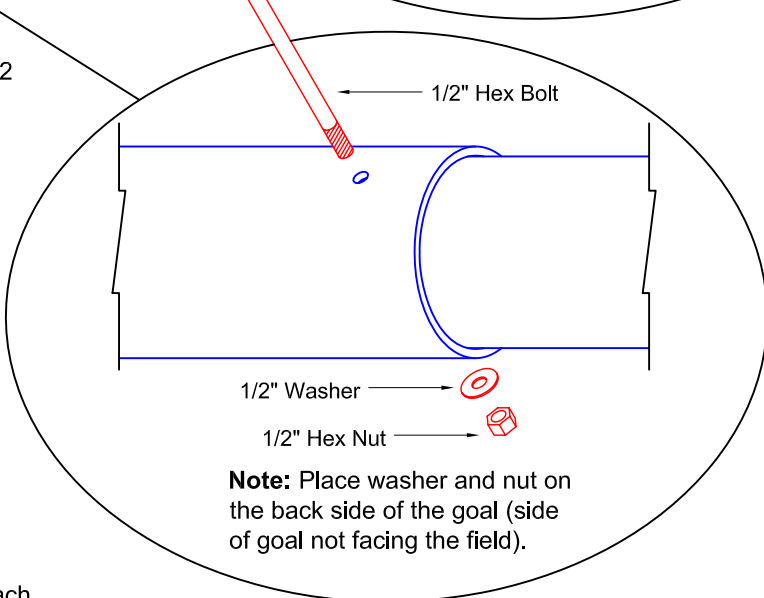
Base Hardware

- (8) 3/4" -10 Nylock Hex Nut - M2203
- (16) 3/4" -13 Hex Nut - M2233
- (4) 3/4" Stainless Steel Anchor Bolt - M2765



Goal Hardware

- (4) 1/2" x 3" Hex Bolt - M1271
- (4) 1/2" x 4.5" Hex Bolt - M2270
- (2) 1/2" x 5.5" Hex Bolt - M1264
- (10) 1/2" Washer - M1268
- (10) 1/2 - 13 Nylock Hex Nut - M2232
- (6) 3/8" x 1.5" Spring Pin - M25073



Tools

- Drill
- 1/2" Drill Bit (for Metal)
- 3/8" Drill Bit (for Metal)
- 4ft Level
- Plumb Bob
- File / Deburring Tool
- Wrenches, 1 1/8", 3/4", 9/16" (2 of each or 2 adjustable wrenches or 1 of each and sockets w/ ratchet)

