

ASSEMBLY INSTRUCTIONS

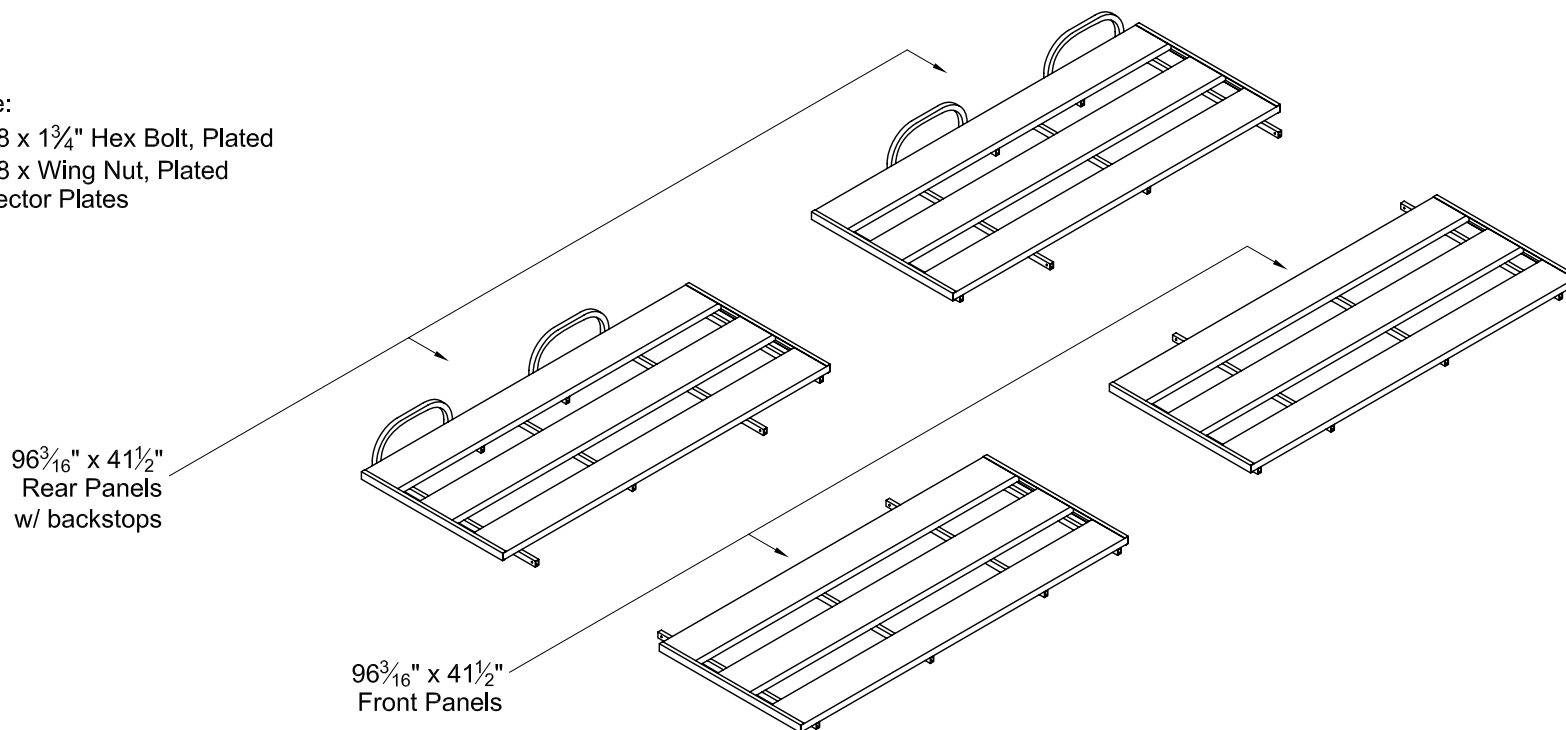
Parts list:

- (2) 96³/₁₆" x 41¹/₂" Rear Panels w/ backstops
- (2) 96³/₁₆" x 41¹/₂" Front Panels

The 733641 aluminum high jump pit platform consists of 4 platform panels and connecting hardware.

Hardware:

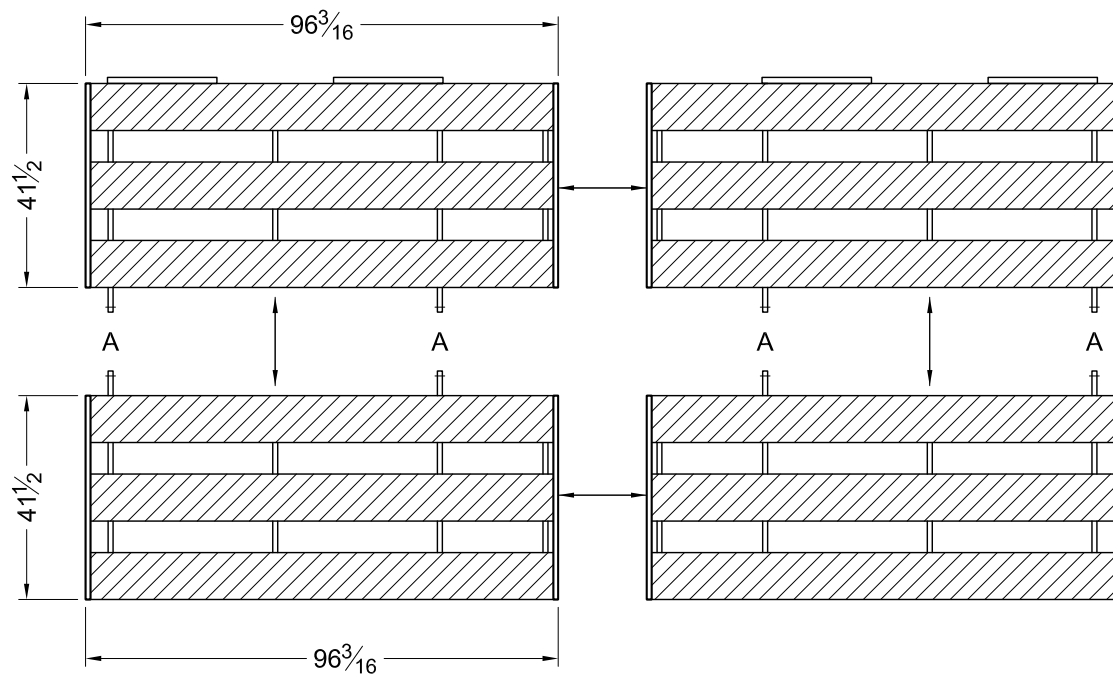
- (8) 5/16"-18 x 1 3/4" Hex Bolt, Plated
- (8) 5/16"-18 x Wing Nut, Plated
- (8) Connector Plates



ALUMINUM HIGH JUMP PIT PLATFORM 733641 for use with HJ Pit 641V

ASSEMBLY INSTRUCTIONS

Layout the platform panels as shown. Push the left and right side panels together and fasten the rear panels to the front panels.



Fasten panels together using two 3 1/2" long connector plates, two 5/16"-18 x 1 3/4" hex bolts, and two 5/16"-18 wing nuts.

