



www.gillathletics.com
800-637-3090

730145V-VINYL BARRIER SEAL INSTRUCTIONS

Vinyl Steeplechase Barrier Seal

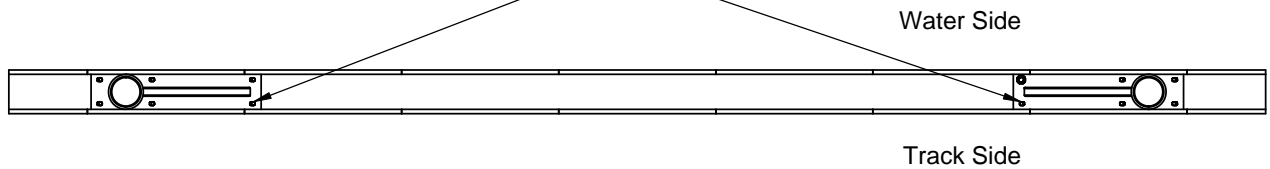
Gill 730145V Barrier Seal is a cost-efficient way to satisfy NCAA and IAAF requirements. Made of 18 oz. Vinyl coated woven polyester this barrier seal protects athlete's eyes from the glare and distraction of the waters surface. Held securely in place with Velcro straps on each side and an corrosion resistant aluminum crossbrace across the top.



Installation Instructions:

1) Unscrew the interior-most bolt on the track facing side of the barrier from upper leg and beam assembly on both sides.

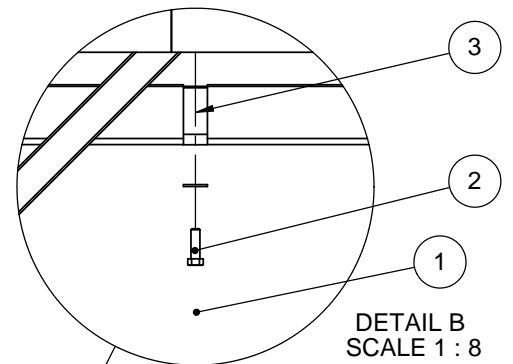
Tools Needed:
9/16" Wrench (1)



2) Slide angle through top pocket of vinyl component until angle slots align with slots in vinyl.

3) Place new, longer bolt (M1225) through washer, through angle, and screw into beam on each side.

4) Wrap Velcro around each leg and secure (4 places).



ITEM NO.	Description	PART NUMBER	QTY.
1	WJ Vinyl Barrier Seal Vinyl Component	73014501V	1
2	3/8"-16 x 1.25" Hex bolt, plated	M1225	2
3	1"x2" Aluminum Angle	Bracket	1

