

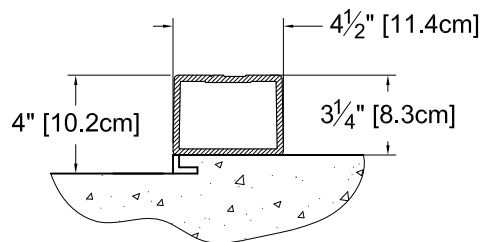
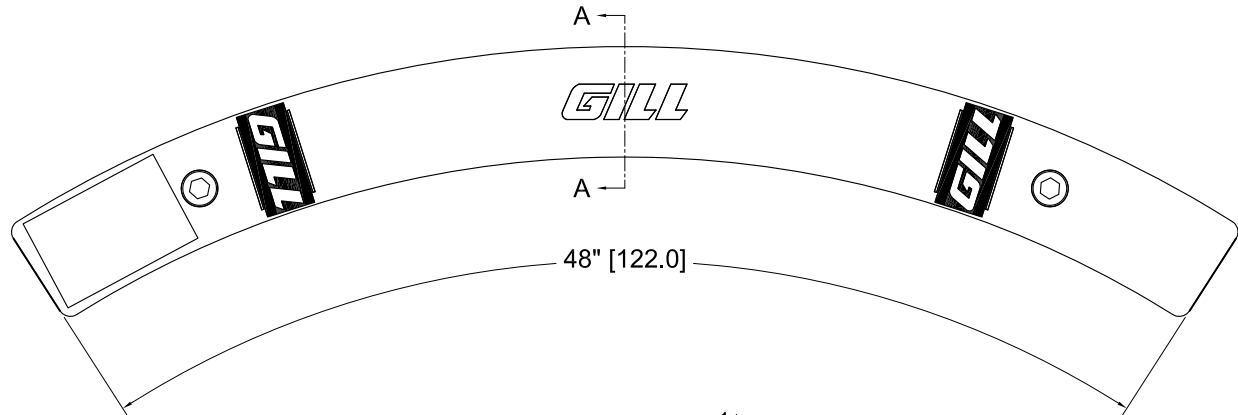


www.gillathletics.com
800-637-3090

358 - SYNTHETIC TOEBOARD for RECESSED PAD SPECIFICATIONS

SPECIFICATIONS

The 358 Synthetic Shot Put Toeboard is designed to be used with a 3/4" [19mm] depressed throwing surface formed by an aluminum shot circle embedded in the concrete pad. The toeboard is fabricated from low density polyethylene with a wall thickness of 1/4" [6.4mm]. The toe board is white and features sector line markings. This toeboard meets all NFSHSA, NCAA, and IAAF requirements.



Section A-A

