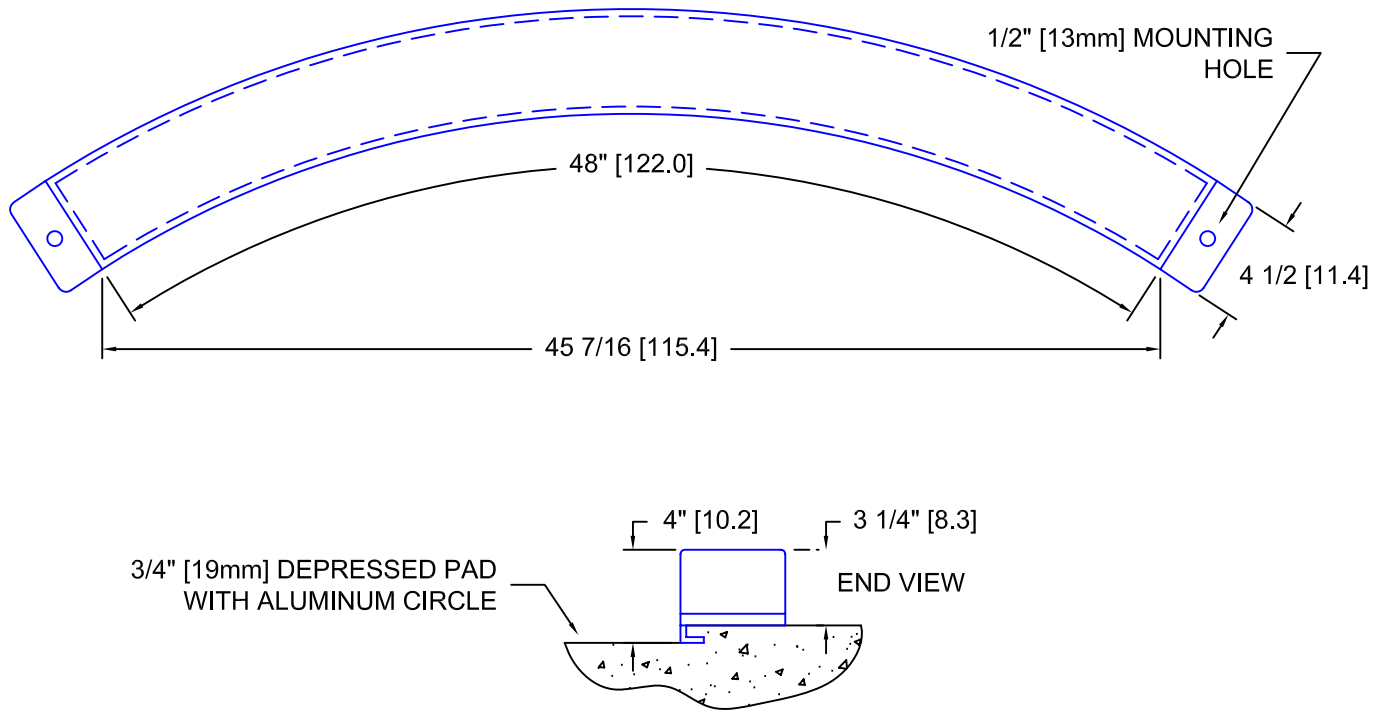


**SPECIFICATIONS**

The 363 Cast Aluminum Toeboard is designed to be used with a 3/4" [19mm] depressed throwing surface formed by an aluminum shot circle embedded in the concrete pad. Gill aluminum toeboards are cast from aluminum alloy with a wall thickness of 5/16" [8mm]. All aluminum toeboards are finished with a durable white powder coat paint. This toeboard meets all NFSHSA, NCAA, and IAAF requirements. Dimensions in brackets are in centimeters.



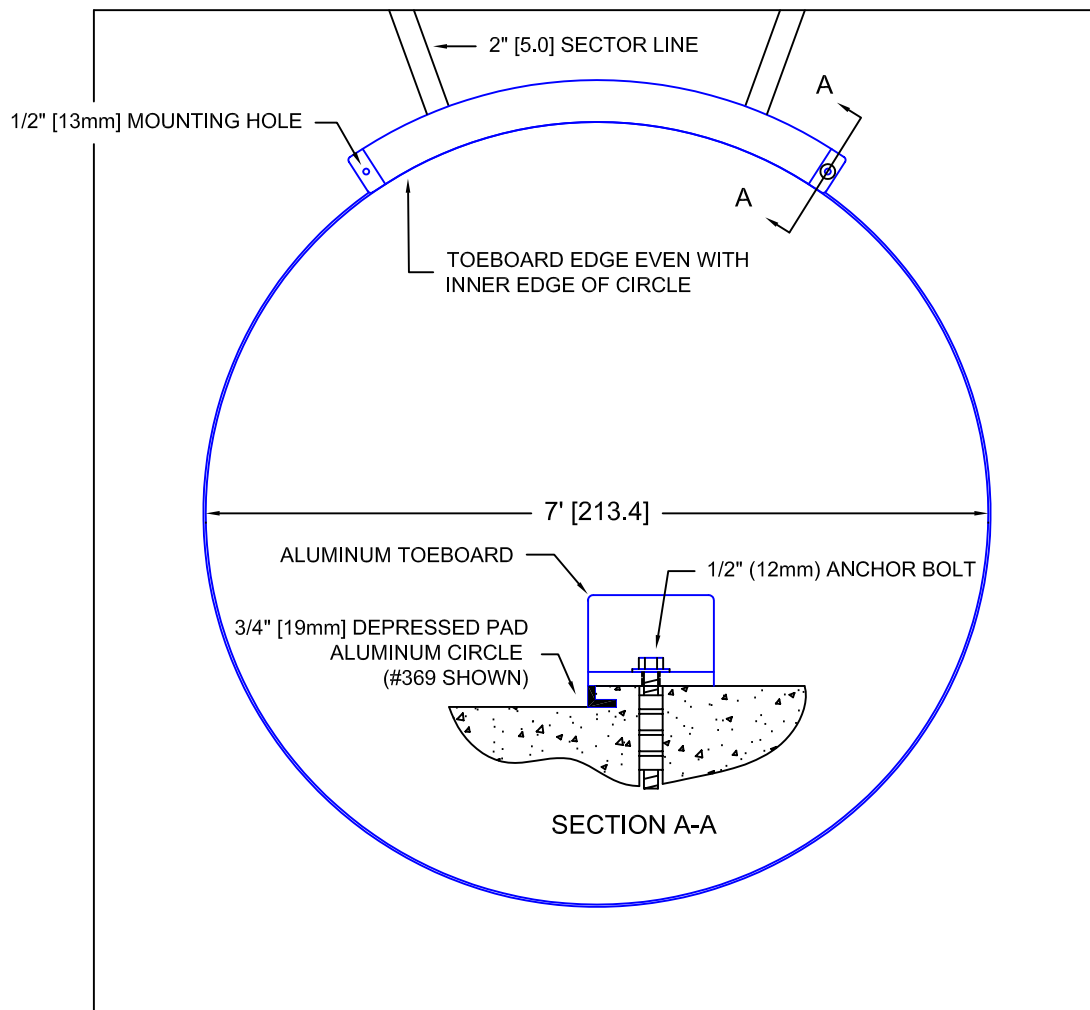
**INSTRUCTIONS**

1. The 363 toeboard is mounted to a concrete pad with a 3/4" [19mm] depressed throwing surface. The depressed pad requires either the Gill 366 or 369 Aluminum Shot/Hammer Circle shown below.
2. Using the toeboard as a template, mark the center of the holes to be drilled for the bolt anchors. Be sure the toeboard is properly positioned with the

inside curved edge of the toeboard even with the inner edge of the ring. The toeboard must also be centered on the sector lines.

3. Drill the holes for the bolt anchors and mount the toeboard. Use 1/2" (12mm) flat washers between the toeboard and the heads of the anchor bolts. Dimensions in brackets are in centimeters.

NOTE: Toeboard must be centered on sector lines, NCAA sector shown.



**NOTICE:** All installations should be done by experienced contractors and in accord with all applicable codes, laws and regulations. Suggested installation instructions herein are illustrative only and should be adapted to suit local requirements. Gill Athletics is not responsible for the manner in which these products are installed.