

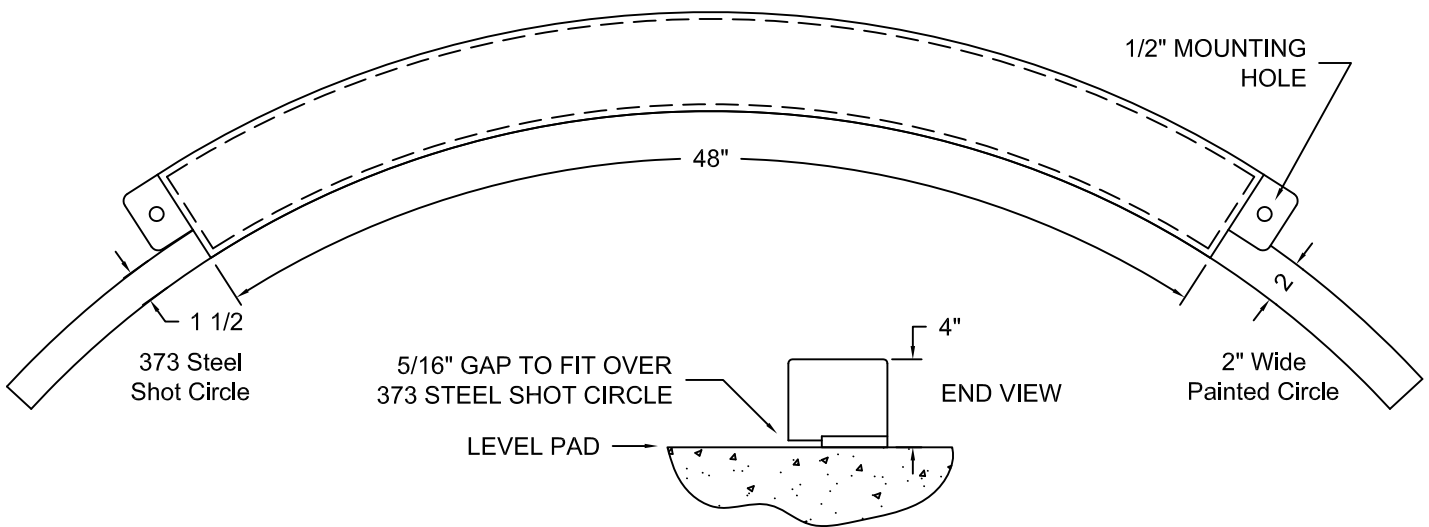


www.gillathletics.com
800-637-3090

364- CAST ALUMINUM LEVEL PAD TOEBOARD

SPECIFICATIONS

The 364 Cast Aluminum Toeboard is designed to be used on a level throwing surface with a Gill 373 Steel Shot Circle or the 372 Aluminum Shot Circle. The 364 toeboard can also be mounted over a 2" wide painted circle. Gill aluminum toeboards are cast from aluminum alloy with a wall thickness of 5/16". All aluminum toeboards are finished with a durable white powder coat paint. This toeboard meets all NFSHSA requirements for high school use.

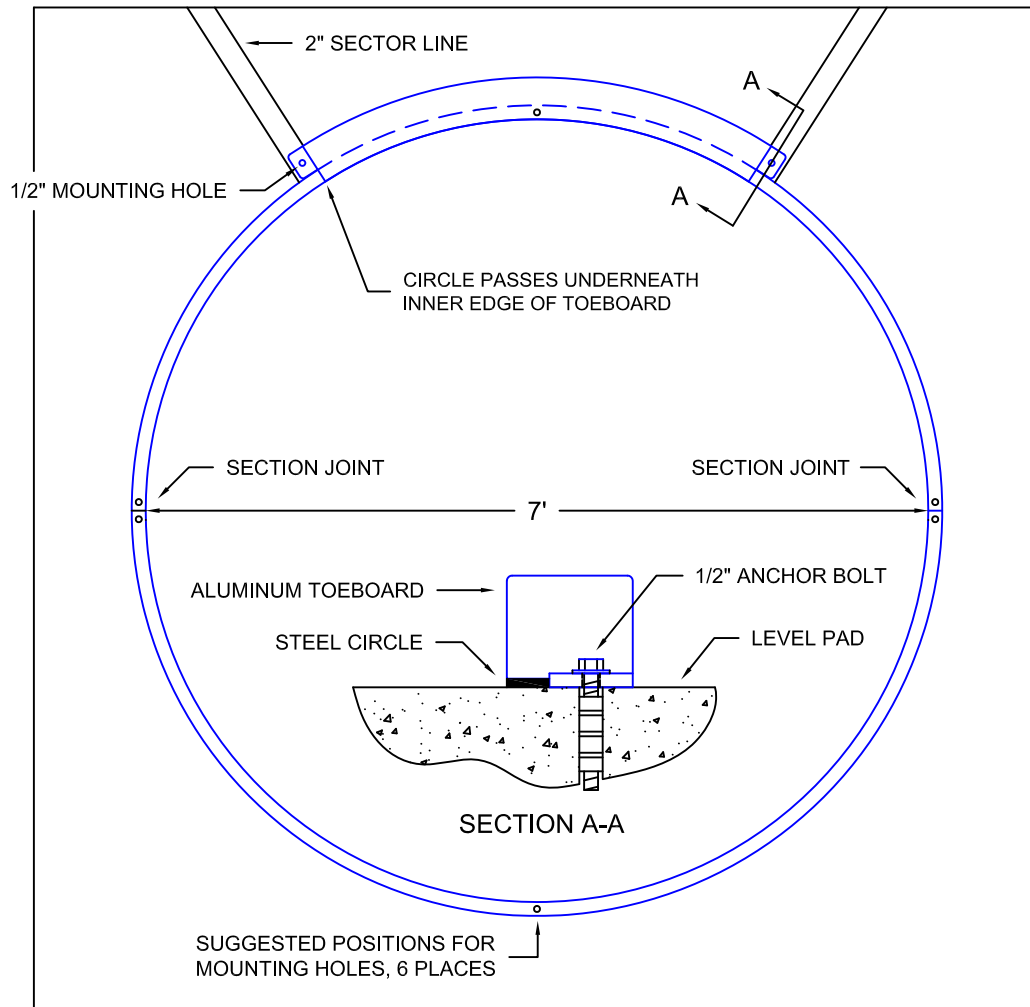


INSTRUCTIONS

1. The 364 toeboard is mounted to a flat throwing surface (pad) and requires a Gill 373 Steel Shot Circle as shown below or a 2" wide painted circle as per Rule 6-5 Art. 3 of the NFHS Track & Field Rules. If mounted over a painted circle, a $\frac{5}{16}$ " gap will remain at the inside bottom edge of the toeboard.
2. Inscribe a 7 foot diameter circle on the pad to designate the inside edge of the steel circle. The circle should be centered on the pad with the two section joints to the right and left sides.
3. The 373 circle comes with drilled mounting holes at the ends of each section. Additional holes can be drilled to fit the installers needs or as shown below.

4. Using the toeboard and the circle as a template, mark the center of the holes to be drilled for the bolt anchors. Be sure the toeboard is properly positioned with the inside curved edge of the toeboard even with the inner edge of the steel circle. The toeboard must also be centered on the sector lines.
5. Drill the holes for the circle and toeboard anchors. Mount the circle first as the toeboard sits down over it. When mounting the toeboard, use 1/2" flat washers between the toeboard and the heads of the 1/2" anchor bolts.

NOTE: Toeboard must be centered on sector lines, high school sector shown.



NOTICE: All installations should be done by experienced contractors and in accord with all applicable codes, laws and regulations. Suggested installation instructions herein are illustrative only and should be adapted to suit local requirements. Gill Athletics is not responsible for the manner in which these products are installed.