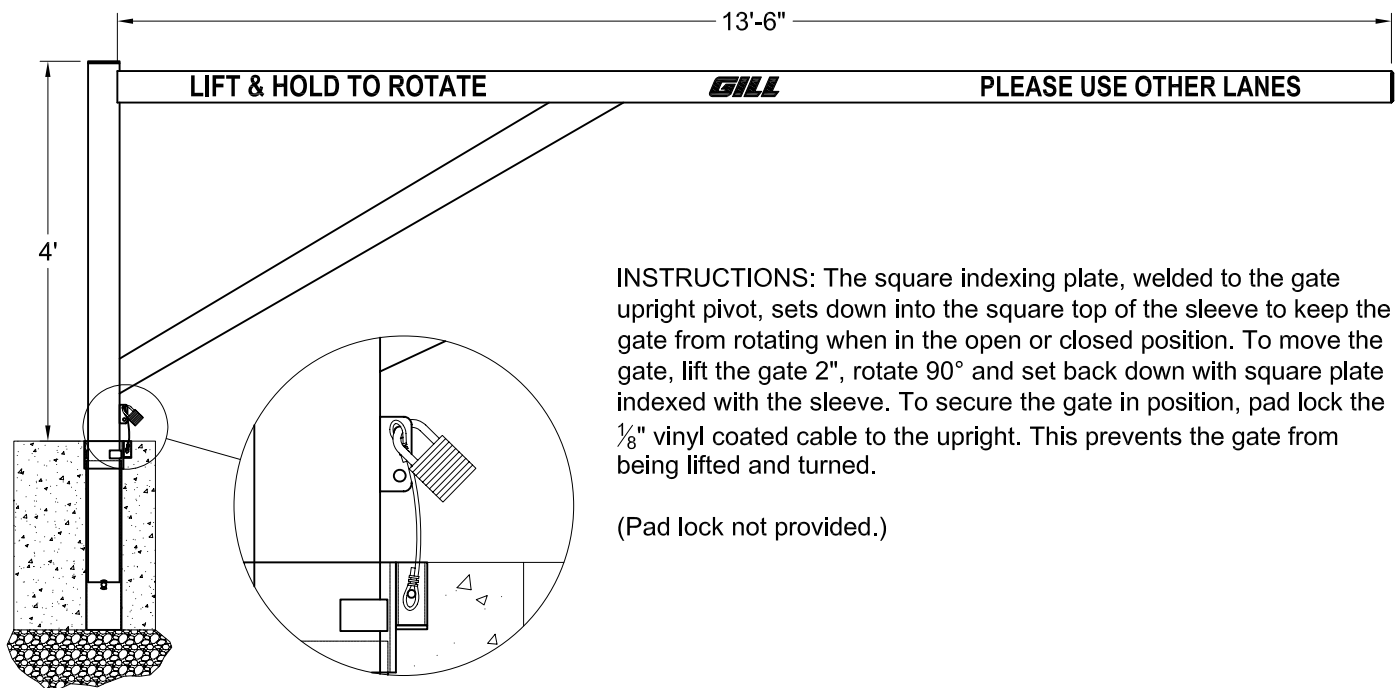
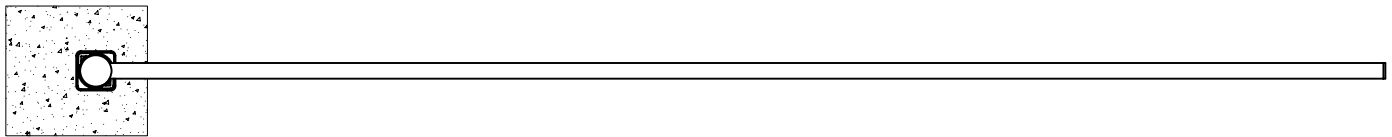


SPECIFICATIONS

The 3 Lane Track Gate is constructed of 4" Sch40 aluminum pipe and 2" x 4" x 1/8" wall aluminum tube, both 6000 series aluminum. A 24" steel ground sleeve with locking mechanism is provided for simple lift and rotate operation. With the use of a pad lock, the gate can be secured in position, preventing the gate from being lifted and rotated. The gate is designed to control traffic on the 3 inside lanes yielding reduced surface wear. A set of 4 gates provides optimal traffic control and surface protection.



8540 - TRACK LANE GATE GROUND SLEEVE INSTALLATION

INSTRUCTIONS:

Install the sleeve square with the track as shown. The 1"sq tube with the cable should face the track.

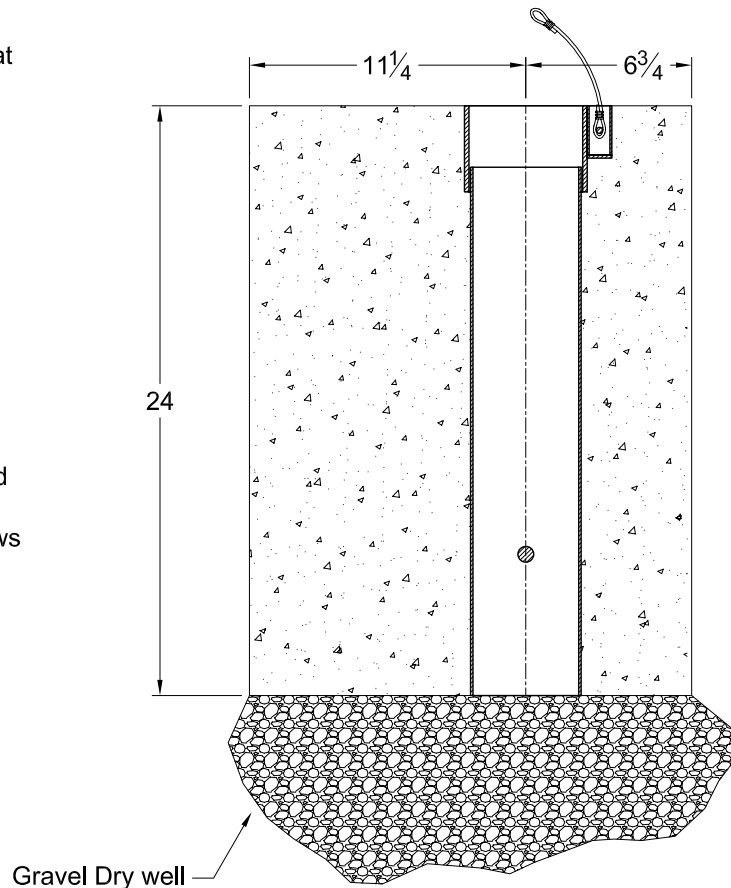
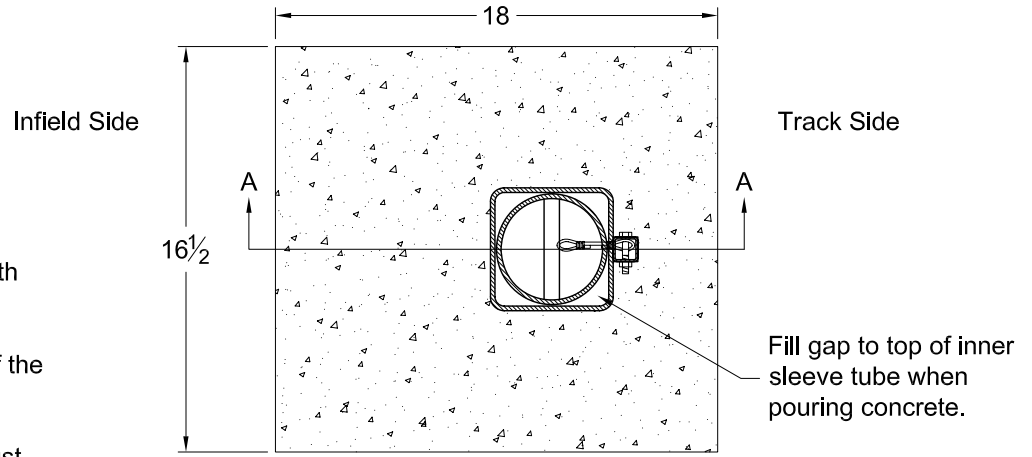
Ensure that the cable stays out of the concrete.

For proper drainage, concrete must not seal the bottom of the sleeve.

The square portion of the sleeve must be embedded in the concrete for support. Fifty pounds of force on gate can exert over 2 tons of force at the pivot.

NOTICE:

All installations should be performed by experienced contractors and in accord with all applicable codes, laws and regulations. Suggested installation instructions herein are illustrative only and should be adapted to suit local requirements. Gill Athletics is not responsible for the manner in which these products are installed.



Section A-A