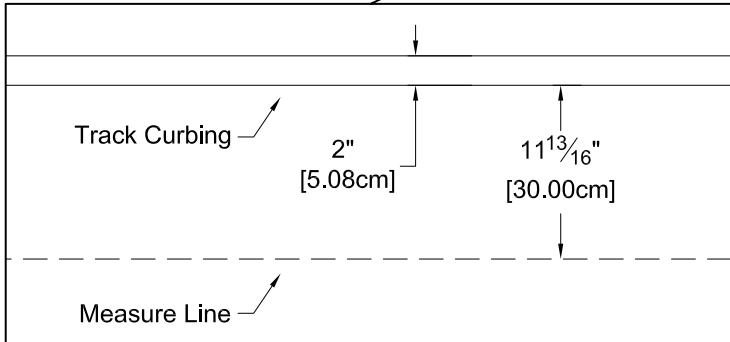
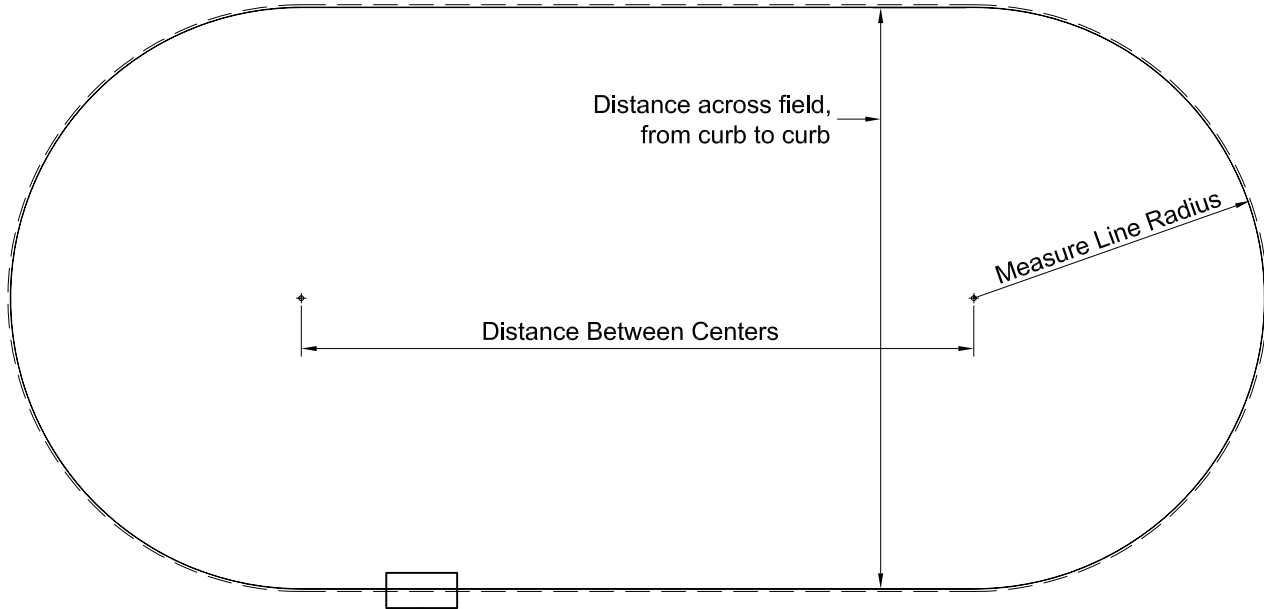




www.gillathletics.com
800-637-3090

851A, 852A, 852P - INTERNATIONAL TRACK CURBING DIMENSION CERTIFICATION FORM

Use this form to record the dimensions of the track for which a curbing order is requested. Dimensions should be recorded as accurately as possible, to the nearest $\frac{1}{8}$ ". This form is only for single radius bend tracks. If the track has multiple radius bends and/or water jump curbing, then we will need detailed drawings of the track layout.



Required Dimensions:

One of the following

<input type="text"/>	Measure Line Radius
<input type="text"/>	Distance across field, from curb to curb

One of the following

<input type="text"/>	Distance between centers
<input type="text"/>	Perimeter at the Measure Line
<input type="text"/>	Perimeter at curbing

Curbing Style:

Check one of the following

851A - Curbing, Plain Aluminum

852A - Anodized Curbing Color

852P - Powder Coated Curbing

Certification:

Signature and Date: _____

Name and title of authorizing official: _____

Project Name / Order #: