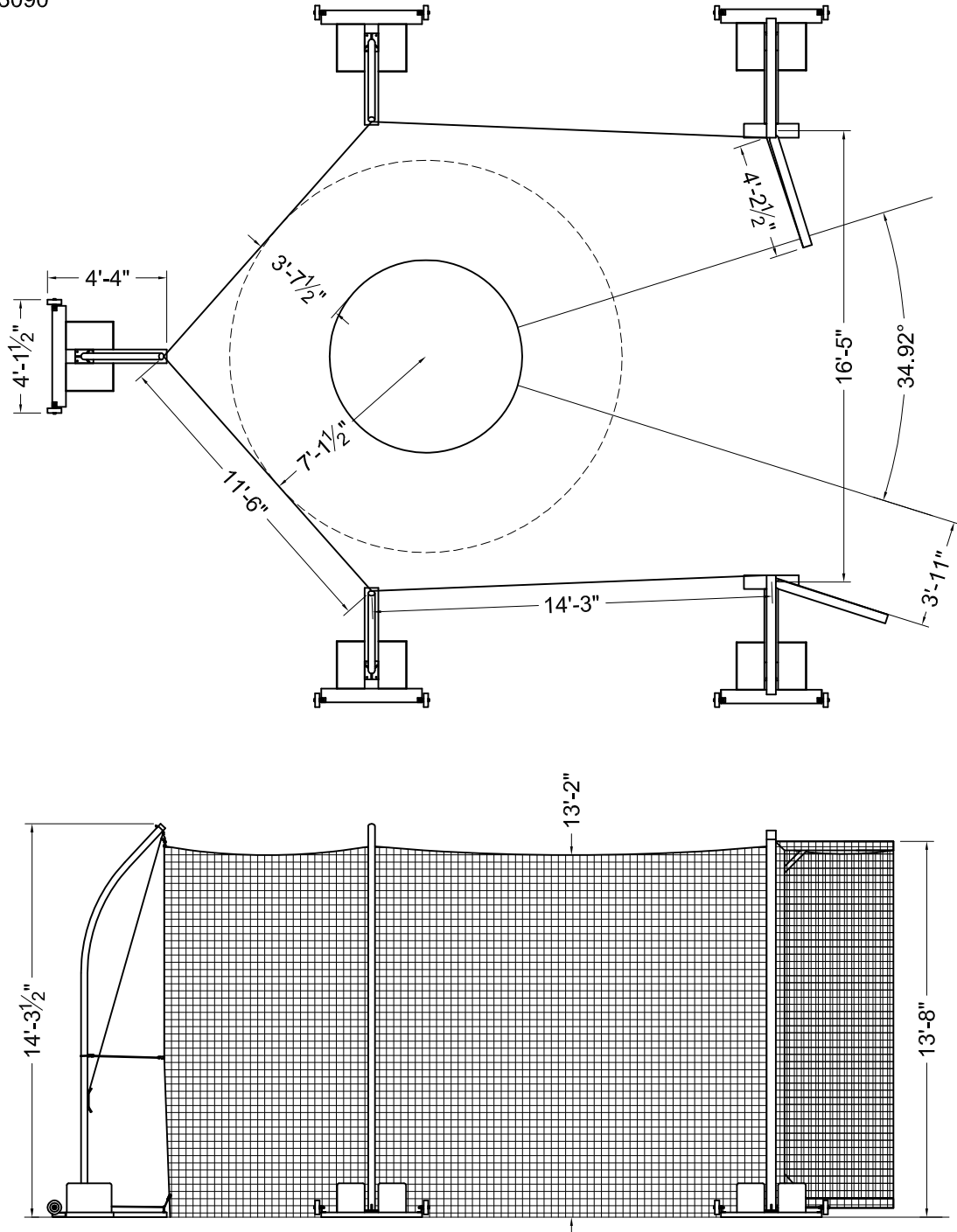




www.gillathletics.com
800-637-3090

732250 - NCAA PORTABLE INDOOR WEIGHT THROW CAGE SPECIFICATIONS



The 732250, NCAA Portable Indoor Weight Cage, is designed to be set up and removed as needed. The cage consists of three aluminum net poles with steel bases, two aluminum doors with steel bases, and nylon nets for the cage and the doors. The steel bases are each furnished with two wheels, allowing the assembled doors and net poles to be rolled into position with relative ease. The net poles are 2 7/8" OD, 0.203 wall, 6063-T6 and the doors are 4" OD, 0.22" wall, 6061-T6 aluminum tube. The door support frame is 4" square, 14 ga. steel tube. Pole bases are fabricated from 6" x 2" x 3/16" wall steel tube and 3/16" thick steel angle. All steel parts are finished with durable black powder coat paint. Pole bases are weighted with 5 gallon, heavy duty plastic jugs which are to be filled with sand or water. The cage poles stand 14' tall. The nets are 561 lb. test, #72 knotted, nylon netting.



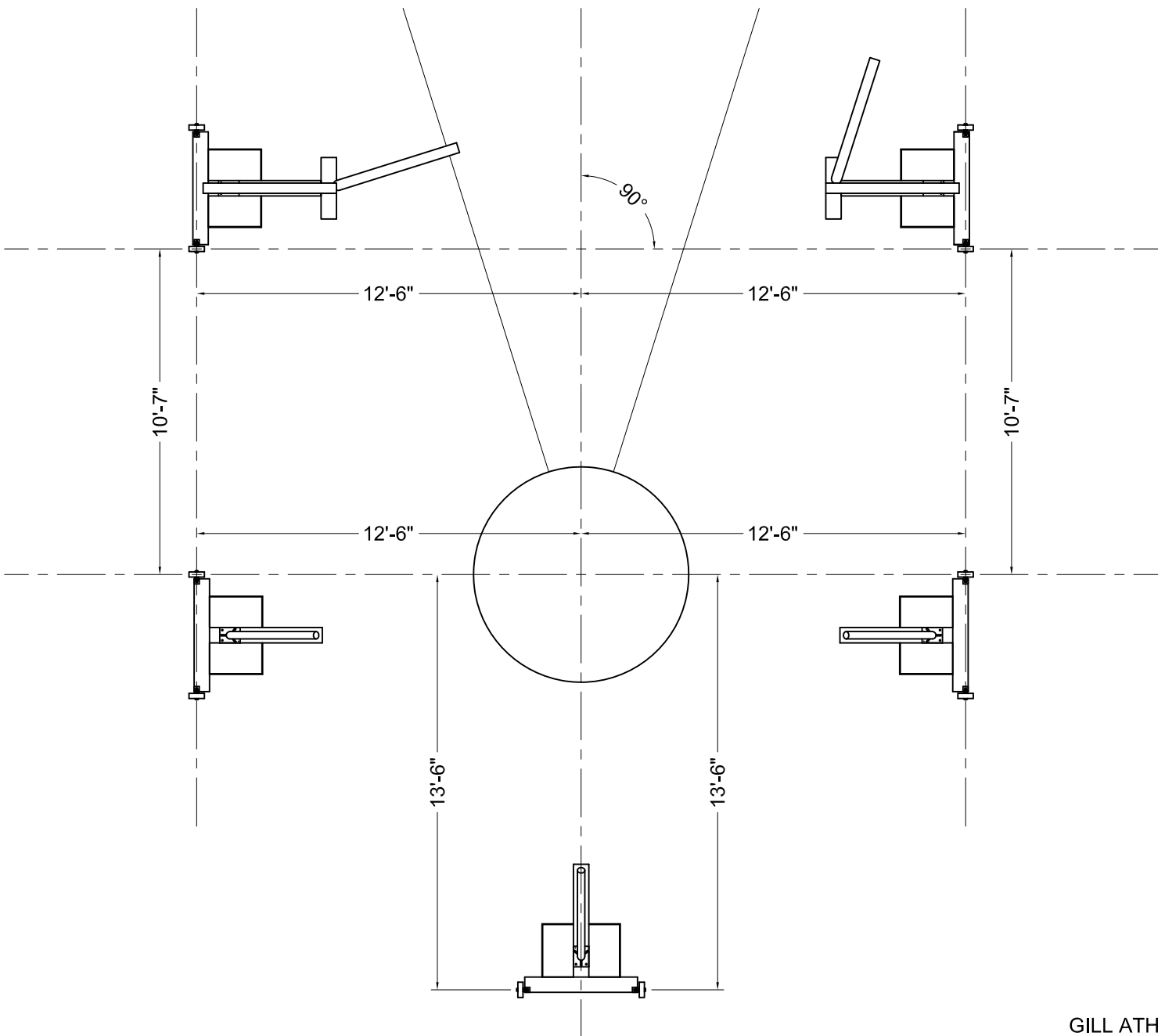
www.gillathletics.com
800-637-3090

732250 - NCAA PORTABLE INDOOR WEIGHT THROW CAGE POLE POSITION LAYOUT

1. Layout and mark circle center and sector lines. Locate and mark with a chalk line the sector center line. This line should extend 16' in front and 14' behind the circle center. Locate and mark a second chalk line through the circle center and perpendicular to the sector center line and a third line 10' 7" forward of this line. These lines should extend 13' to either side of the sector center line. Position the door and net pole base wheels on these lines, 12' 6" back from their crossing point as shown. The rear net pole wheels are centered on sector center line, 13' 6" back from the circle center.

2. Once wheel positions have been located, consider some form of permanent floor marking. While the net poles are easily moved by one person, the door assemblies should be moved by two people.

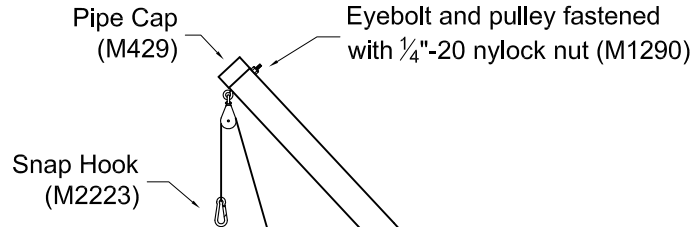
3. Fill weight jugs with sand or water, place in base weight trays and install jug covers. Adhesive back Velcro tape is provided to help secure the covers. Align Velcro tape on tray edge with cover flap.





www.gillathletics.com
800-637-3090

73222020 & 73223020 - PORTABLE CAGE NET POLES NET POLE ASSEMBLY

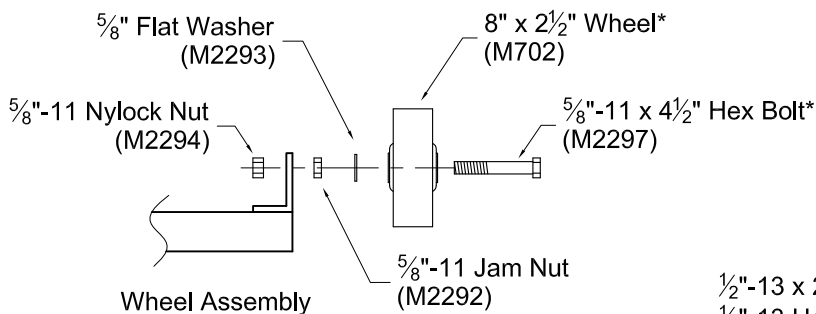


1. Attach wheels to net pole bases, see drawing below. The 5/8" jam nut is used to tighten the wheel assembly to the bracket along with the 5/8" nylock nut on the opposite side. The wheel should be loose enough to freely turn.

2. Install pulley assembly at the top of the net pole with 1/4" nylock hex nuts. The gap in the eye of the bolt should face up. Install the black pole cap down to the pulley eye bolt. The thread on these eye bolts can be trimmed after installation, if so desired.

3. Cut each 50' rope in half and melt ends to prevent fraying. Tie one end to snap hook and feed the other through the pulley. After the rope is fed through the pulley, tie the loose end to the rope cleat to prevent the rope from being lost when lowering the net.

4. Bolt the pole to the base with two 1/2" hex bolts with washers and one 1/2" eyebolt with jam nut and washer as shown below.



* The weight throw cage (732250) uses a different wheel and axle bolt.
6" x 2" Wheel (M701)
5/8"-11 x 4" Hex Bolt (M2278)

1/2"-13 x 2" Eyebolt (M2770)
1/2"-13 Hex Nut (M2233)
1/2" Flat Washer (M1268)
2 places

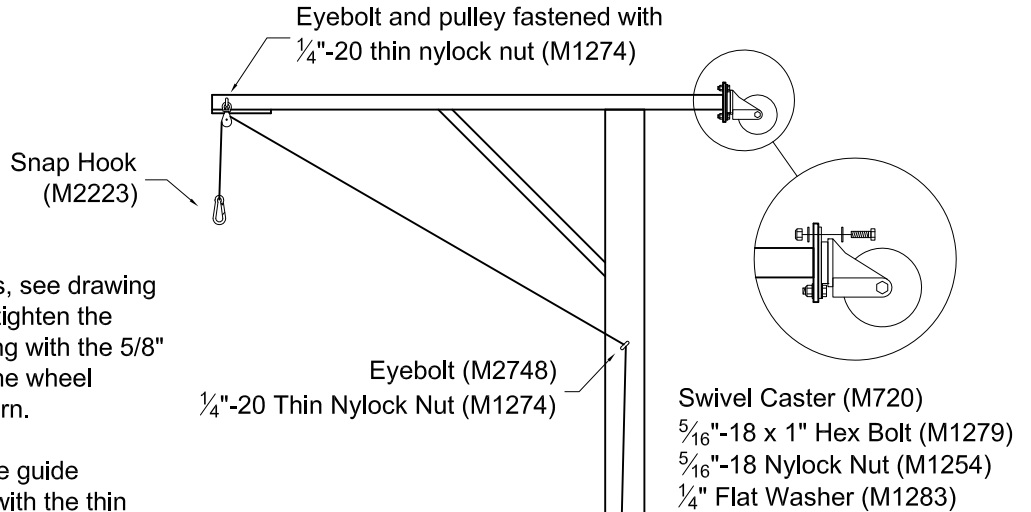
1/2"-13 x 1/4" Hex Bolt (M2234)
1/2" Flat Washer (M1268)
2 places

1/2"-13 Nylock Nut (M2232)
inside tube



www.gillathletics.com
800-637-3090

73225010 - PORTABLE CAGE DOOR POLE DOOR POLE ASSEMBLY

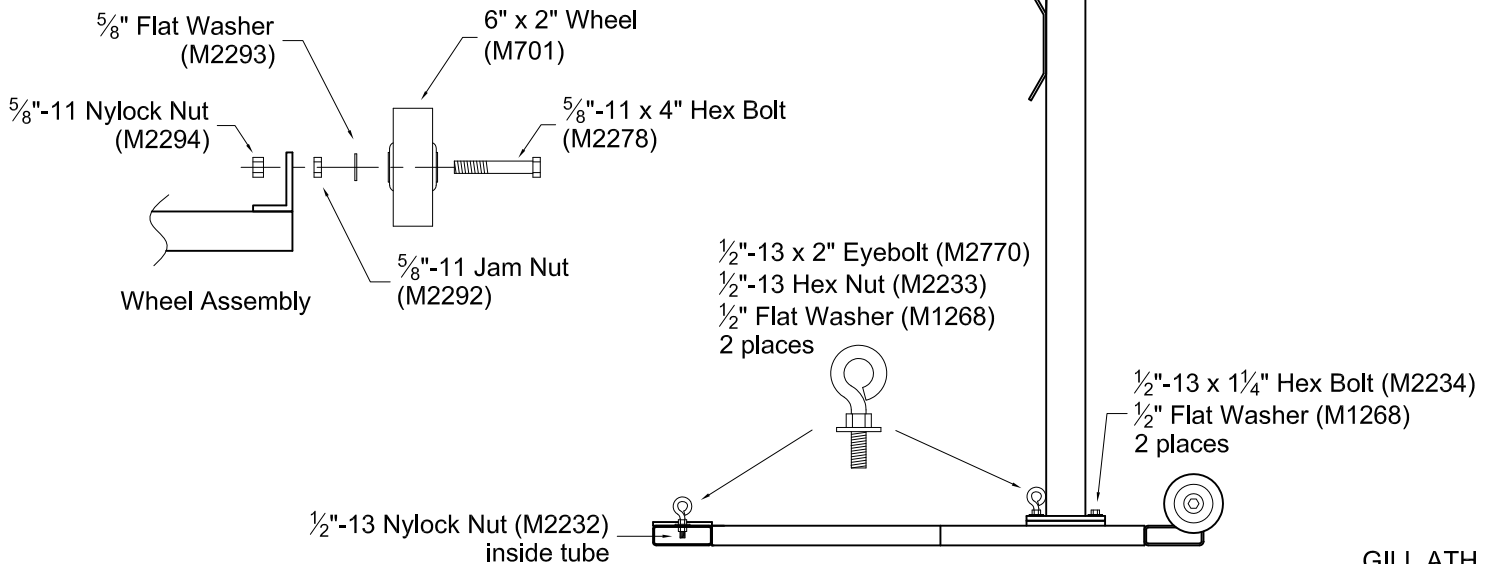


1. Attach wheels to net pole bases, see drawing below. The $\frac{5}{8}$ " jam nut is used to tighten the wheel assembly to the bracket along with the $\frac{5}{8}$ " nylock nut on the opposite side. The wheel should be loose enough to freely turn.

2. Install pulley assembly and rope guide eyebolt at the top of the door pole with the thin height nylock hex nuts. The eyes on these bolts have been closed tighter to allow the threaded shank to clear the opposite side of the pole. The pulley and the eyebolt eye must be on the circle side of the door pole. The gap in the eyes of the bolts should face up.

3. Cut each 50' rope in half and melt ends to prevent fraying. Tie one end to snap hook and feed the other through the pulley and then the rope guide eyebolt. Then tie the loose end to the rope cleat to prevent the rope from being lost when lowering the net.

4. Bolt the pole to the base with two $\frac{1}{2}$ " hex bolts with washers and one $\frac{1}{2}$ " eyebolt with jam nut and washer as shown below. Install the second $\frac{1}{2}$ " eyebolt on the circle side of the base front extension.



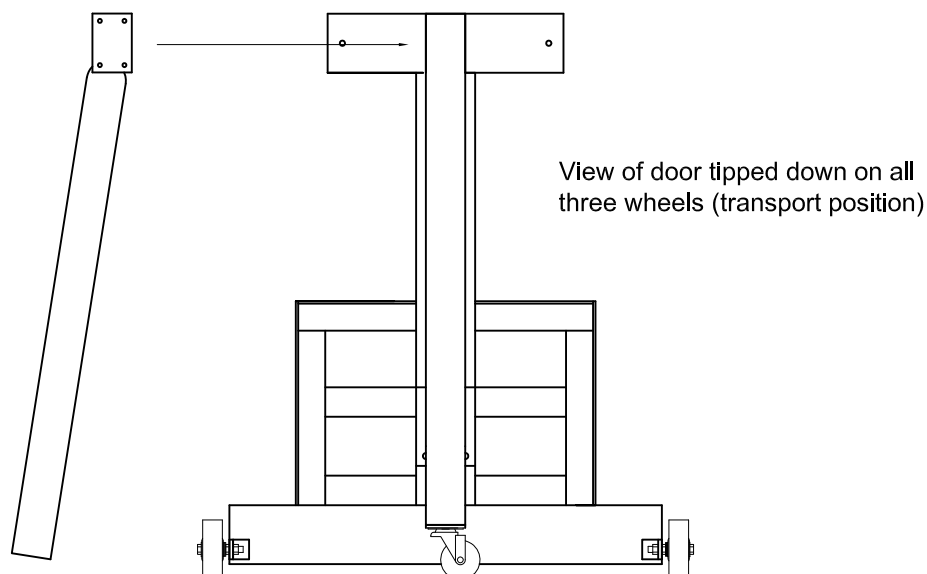
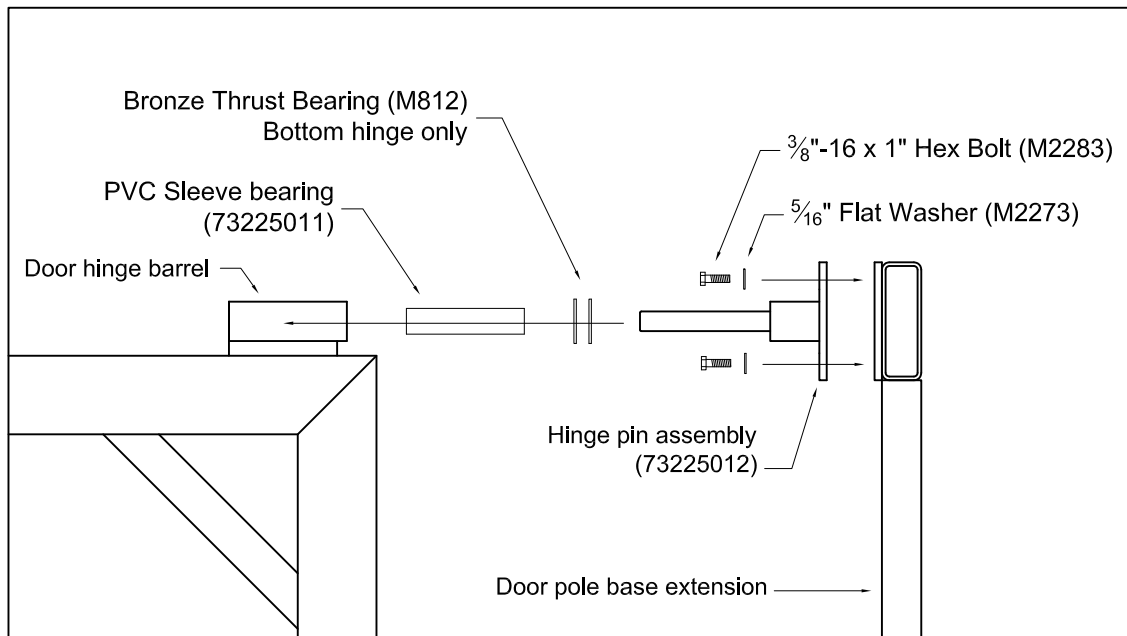


www.gillathletics.com
800-637-3090

73225010 - PORTABLE CAGE DOOR POLE DOOR HINGE ASSEMBLY

INSTRUCTIONS FOR DOOR ASSEMBLY

1. Lay door pole and base assemblies back on floor. Position aluminum doors next to the door poles on the side away from the circle with net rope tieoff holes at the base. Locate and position hinge components as shown below. Top and bottom hinge assemblies are identical except the top hinge does not require the two thrust bearings.
2. Insert the PVC bearing tubes into the door hinge barrels. Install the hinge pin assemblies into the PVC bearing tubes with the two bronze thrust bearings on the bottom hinges.
3. With one person at each end of the door, lift the door with installed hinge pins in to position between the door pole base extension and upper pole extension. Use a third person to align the hinge pin mounting plates to the threaded plates on the base and pole. Secure the hinge pins to these plates with the 3/8" hex bolts and washers provided. If the door interferes with the 4th bolt, secure the first three bolts, then lift the door to gain access to the 4th bolt hole. You may end up with a gap up to 1/2 inch at the top hinge.

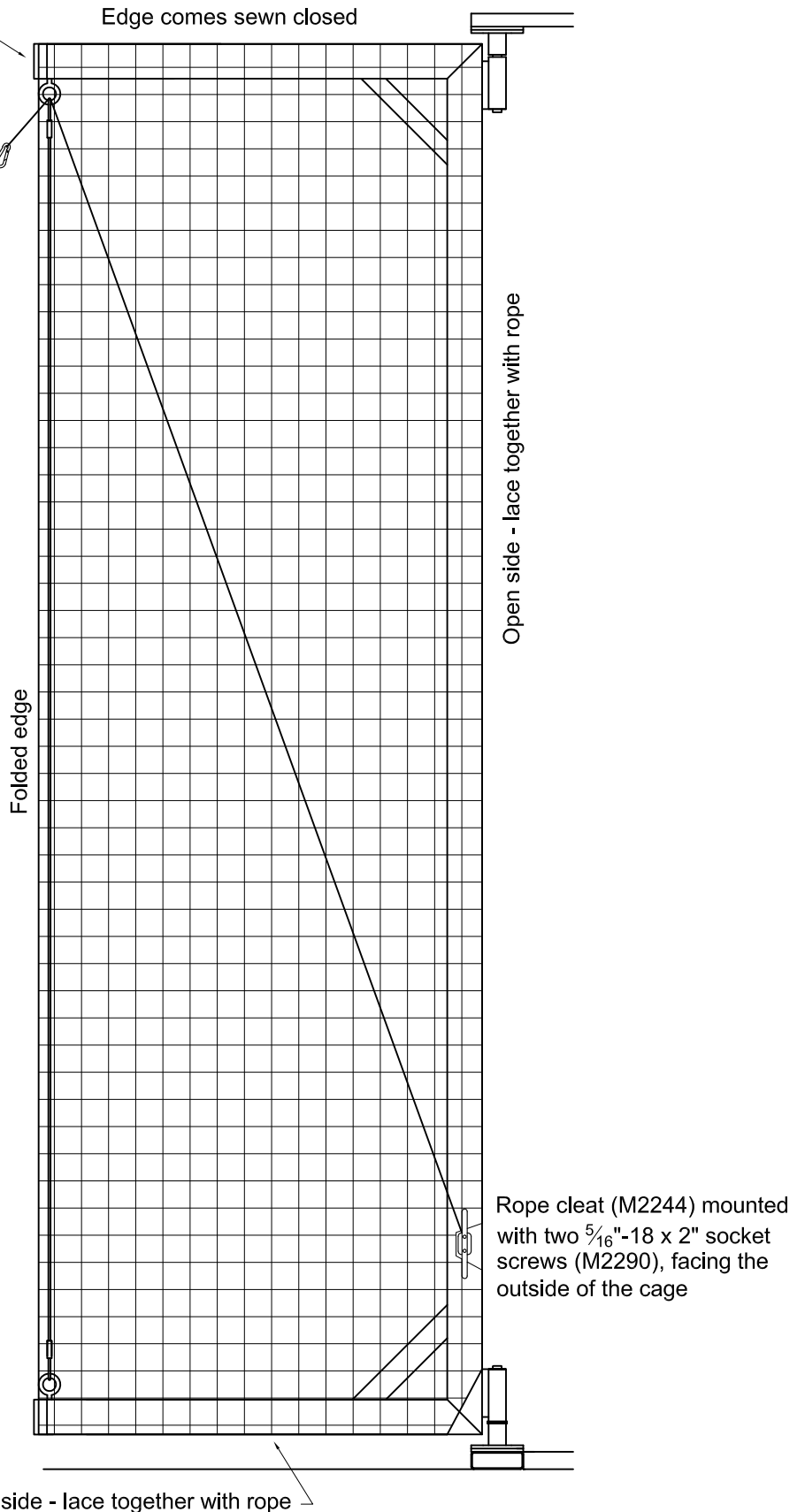
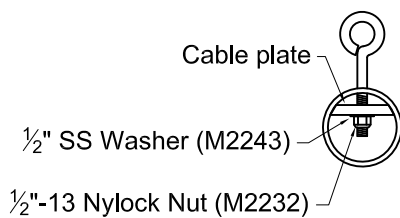




www.gillathletics.com
800-637-3090

73225010 - PORTABLE CAGE DOOR POLE DOOR NET ASSEMBLY

1. Install the door net cable. The cable should be tensioned from both ends. Hold the eyebolt sturdy with a large screwdriver while tightening the lock nut inside the door tube. The cover the tube end with pipe cap.
2. While the door nets can be installed with the door assembly laid back. To install net with the doors upright, a ladder, tall enough to safely reach 14 feet, is required.
3. Cut one 50' rope bundle in half to make two 25' ropes and melt the cut ends. Tie a snap hook to one end of each rope. Feed the other end of the net rope through the top net cable eyebolt and down to the tieoff on the door tube. Secure the rope to the tieoff.
4. Place the door net over the top of the door and lace the open ends of the net together down the back of the door tube. At the bottom, tie the lace rope as shown and leave enough net open to allow access to the rope tieoff. Once the main net has been installed, you can finish lacing the door nets.
5. At the top of the net, reach through and pull the snap hook and net rope through to the circle side of the net. This will allow you to raise the front corner of the main net in front of the door net. From the top eyebolt to the rope tieoff, the rope runs down the the side away from the circle.
6. Use the provided wheel chocks to keep the door in position during use.

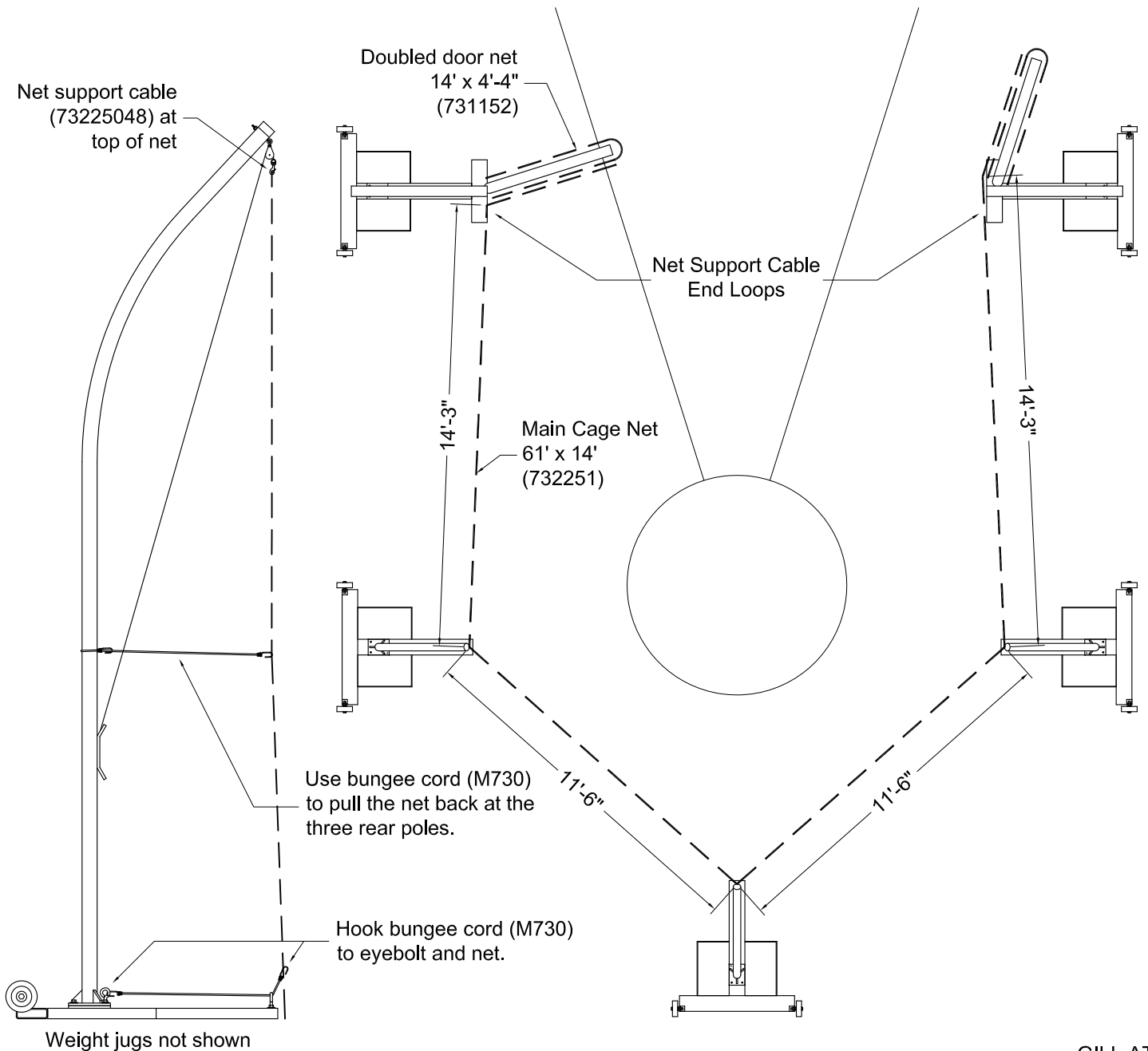


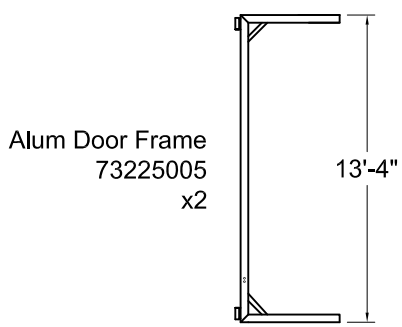
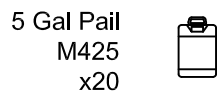
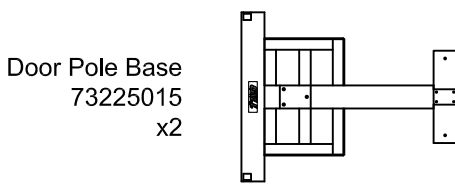
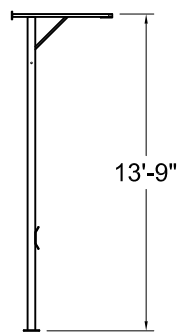
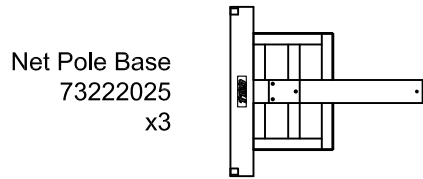
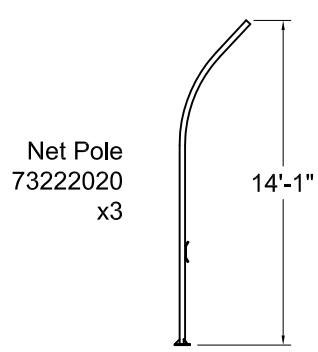
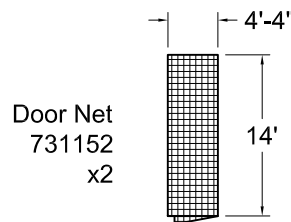
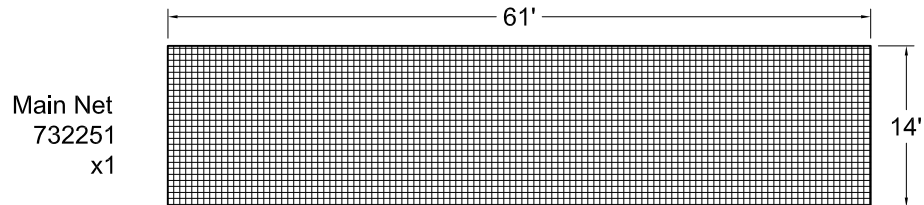


www.gillathletics.com
800-637-3090

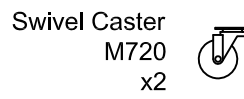
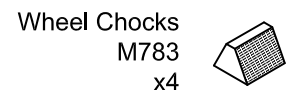
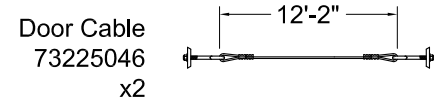
732250 - NCAA PORTABLE INDOOR WEIGHT THROW CAGE NET INSTALLATION

1. Lay the main net out straight and mark the center of the top edge. Measure and mark out from the center the dimensions shown below. Weave net cable through the net. Cable end loops hook to the door support net ropes, and do not extend to the end of the doors. Move the net into the cage and hook the net ropes to the cable and marked points on the net.
2. Raise the net four feet and make any adjustments to the net hook positions so the net will hang evenly. Finish raising the net and tie off the net ropes. The main net extends out to the end of the doors, in front of the door nets. Install and hook the bungee cords to the net as shown below.





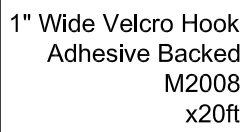
Door Components Box - 73225041



DOOR HARDWARE BAG x 1 (73225065):

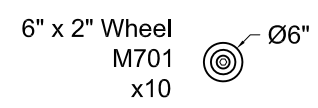
QTY.	M#	DESCRIPTION
4	73225011	PVC Sleeve Bearing
16	M2273	5/16" Flat Washer
16	M2283	3/8"-16 x 1" Hex Bolt
4	M4874	3/2" Sch 40 Pipe Cap (4" ID cap)
4	M812	1" ID x 2" OD x 1/8" Bronze Thrust Bearing
2	M2244	Rope Cleat, Galvanized
4	M2290	5/16"-18 x 2" Socket Head Cap Screw

Base Components Box - 73225042

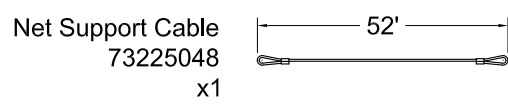


WHEEL HARDWARE BAG x 1 (73225062):

QTY.	M#	DESCRIPTION
10	M2278	5/8"-11 x 4" Hex Bolt
10	M2292	5/8"-11 Jam Nut
10	M2293	5/8" Flat Washer
10	M2294	5/8"-11 Nylock Hex Nut

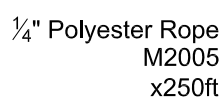
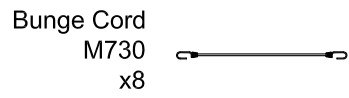


Pole Components Box - 73225043



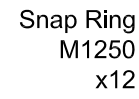
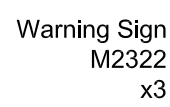
BASE HARDWARE BAG x 1 (73225061):

QTY.	M#	DESCRIPTION
20	M1268	1/2" Flat Washer
5	M2232	1/2"-13 Nylock Hex Nut
10	M2233	1/2"-13 Hex Nut
10	M2234	1/2"-13 x 1 1/4" Hex Bolt
10	M2770	1/2"-13 x 2" Eyebolt



POLE HARDWARE BAG x 1 (73225063):

QTY.	M#	DESCRIPTION
8	M1254	5/16"-18 Nylock Hex Nut
8	M1279	5/16"-18 x 1" Hex Bolt
16	M1283	1/4" Flat Washer
3	M1290	1/4"-20 Nylock Hex Nut
4	M1274	1/4"-20 Thin Nylock Hex Nut
5	M2729	*Pulley for 1/4" Rope
4	M2748	*1/4"-20 x 5" Eyebolt
3	M2749	*1/4"-20 x 4" Eyebolt
3	M429	2 1/2" Sch 40 Pipe Cap (2 7/8" ID cap)
7	M2223	3/8" Snap Hook



* The pulleys must be assembled onto the eyebolts; three on 4" eyebolts (M2749) and two on 5" eyebolts (M2748)

PORTABLE INDOOR WEIGHT THROW CAGE, SHIP LIST		
SCALE: (none)	PART #: 732250	
DATE: 05/06/09	DWG #: 732250_ship	
DRAWN BY: CEB	SHEET: (1 of 1)	

© COPYRIGHT 2009 GILL ATHLETICS ALL RIGHTS RESERVED.

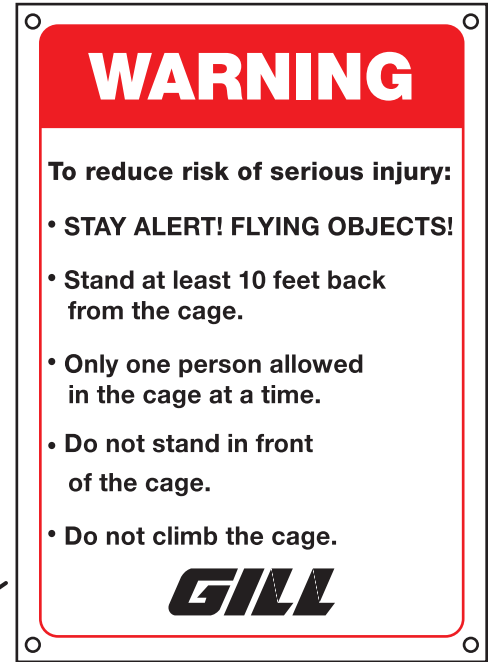


www.gillathletics.com
800-637-3090

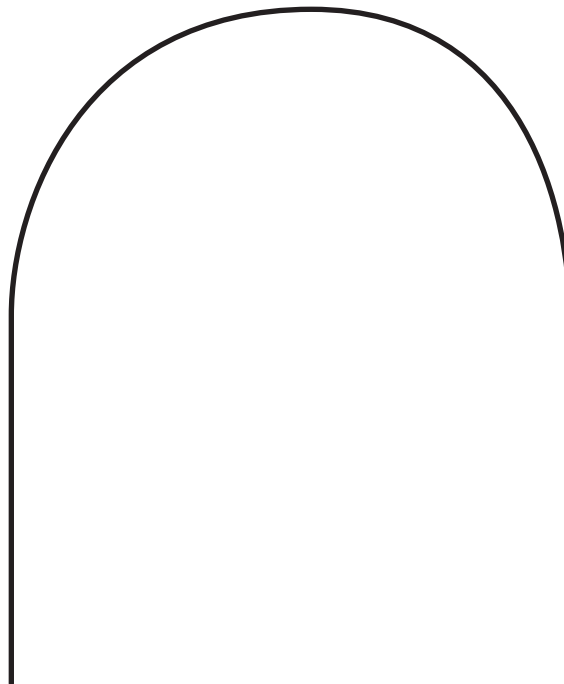
THROWING CAGE INSTALLATION OF WARNING SIGNS

For the protection of athletes, spectators, and coaches install warning signs according to the diagram below.

Attach signs (M2322) to the cage net with the included 1.25" rings (M1250) in each corner. Signs should face away from the cage toward spectators.



Center Back: Attach sign to the outside of the net at eye level in the middle of the back of the cage.



Left Front Side: Attach sign to the outside of the net at eye level near the front left side of the cage.



Right Front Side: Attach sign to the outside of the net at eye level near the front right side of the cage.

