



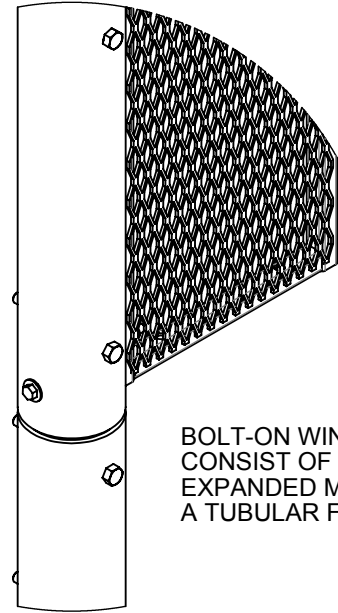
www.gillathletics.com
800-637-3090

PLATE MOUNTED FOUL POLE SPECIFICATIONS

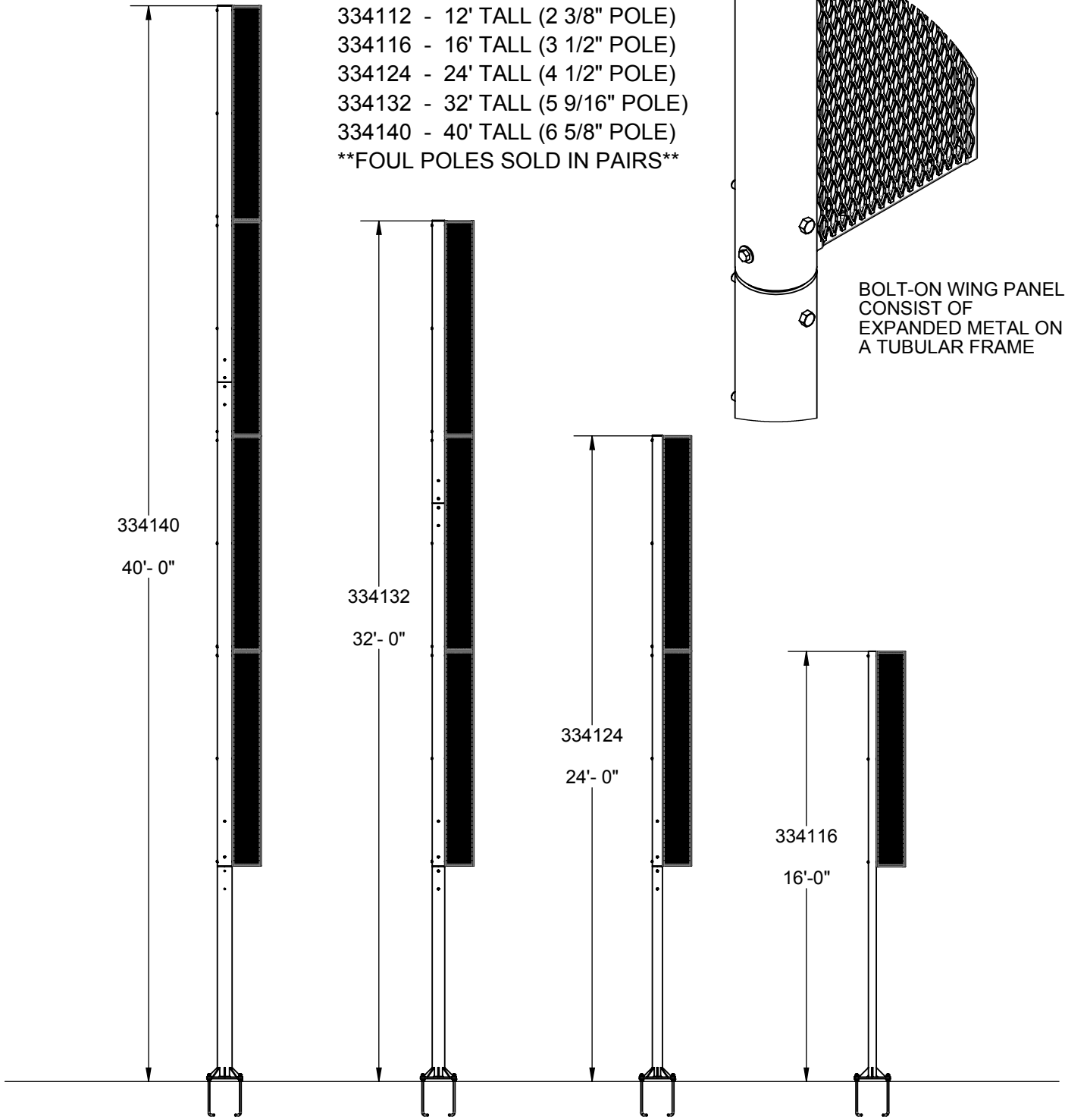
FOUL POLES

- 334112 - 12' TALL (2 3/8" POLE)
- 334116 - 16' TALL (3 1/2" POLE)
- 334124 - 24' TALL (4 1/2" POLE)
- 334132 - 32' TALL (5 9/16" POLE)
- 334140 - 40' TALL (6 5/8" POLE)

****FOUL POLES SOLD IN PAIRS****



BOLT-ON WING PANELS
CONSIST OF
EXPANDED METAL ON
A TUBULAR FRAME



CONCRETE FOOTING SIZE:
3' Ø X 5' DEEP (24', 32', AND 40')

CONCRETE FOOTING SIZE:
3' Ø X 3' DEEP (16')

THIS IS THE MINIMUM RECOMMENDED FOOTING SIZE. INCREASE SIZE OF FOOTING AS REQUIRED ACCORDING TO LOCAL SOIL CONDITIONS, AND TO MEET LOCAL BUILDING CODES REGARDING MINIMUM WIND SPEEDS.