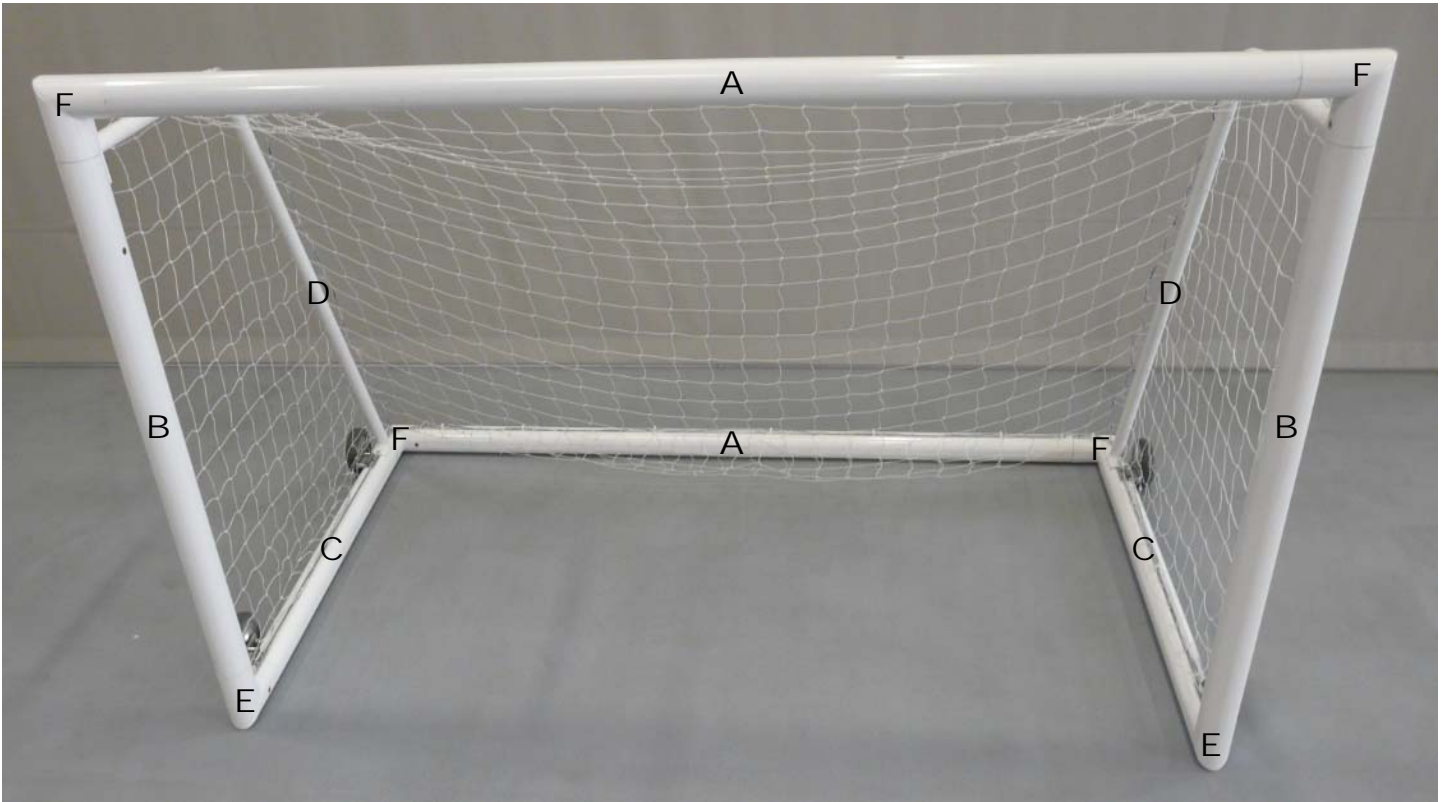




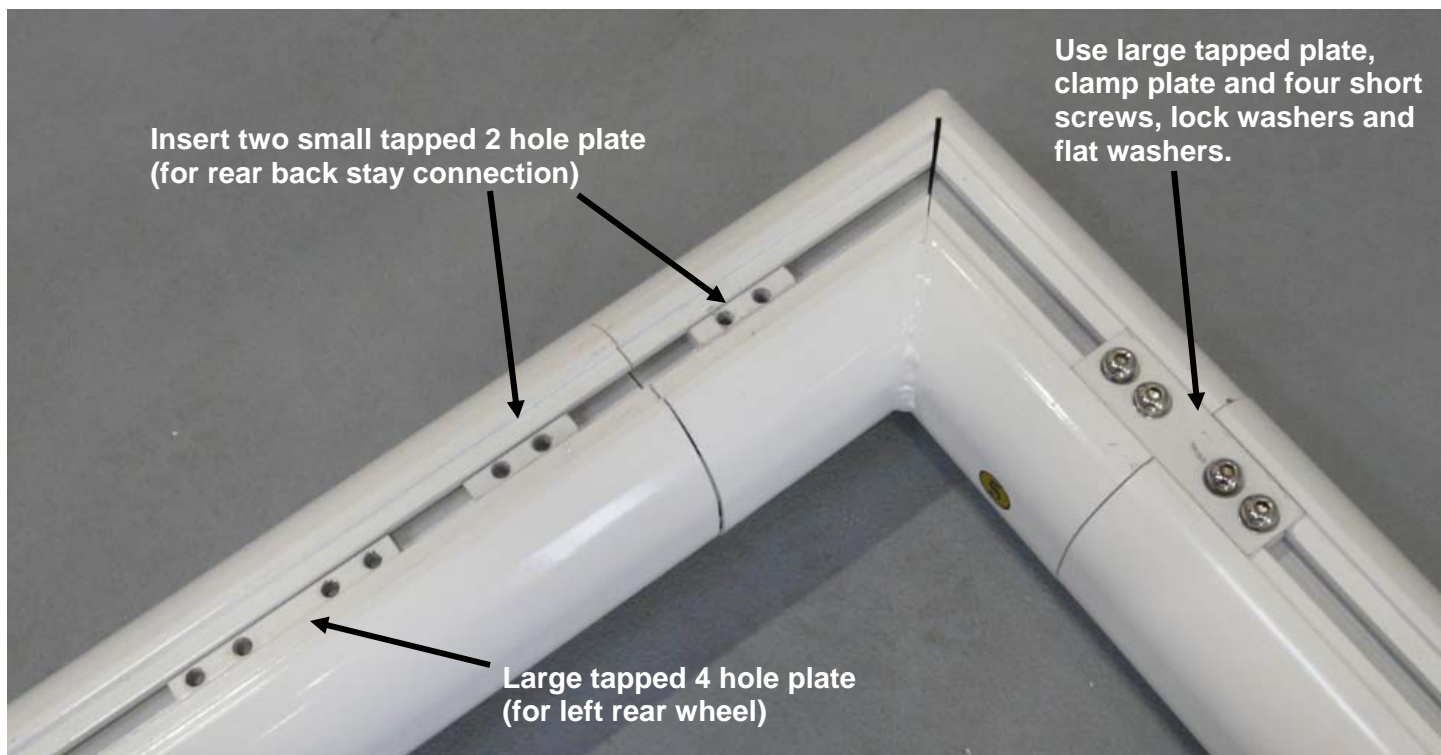
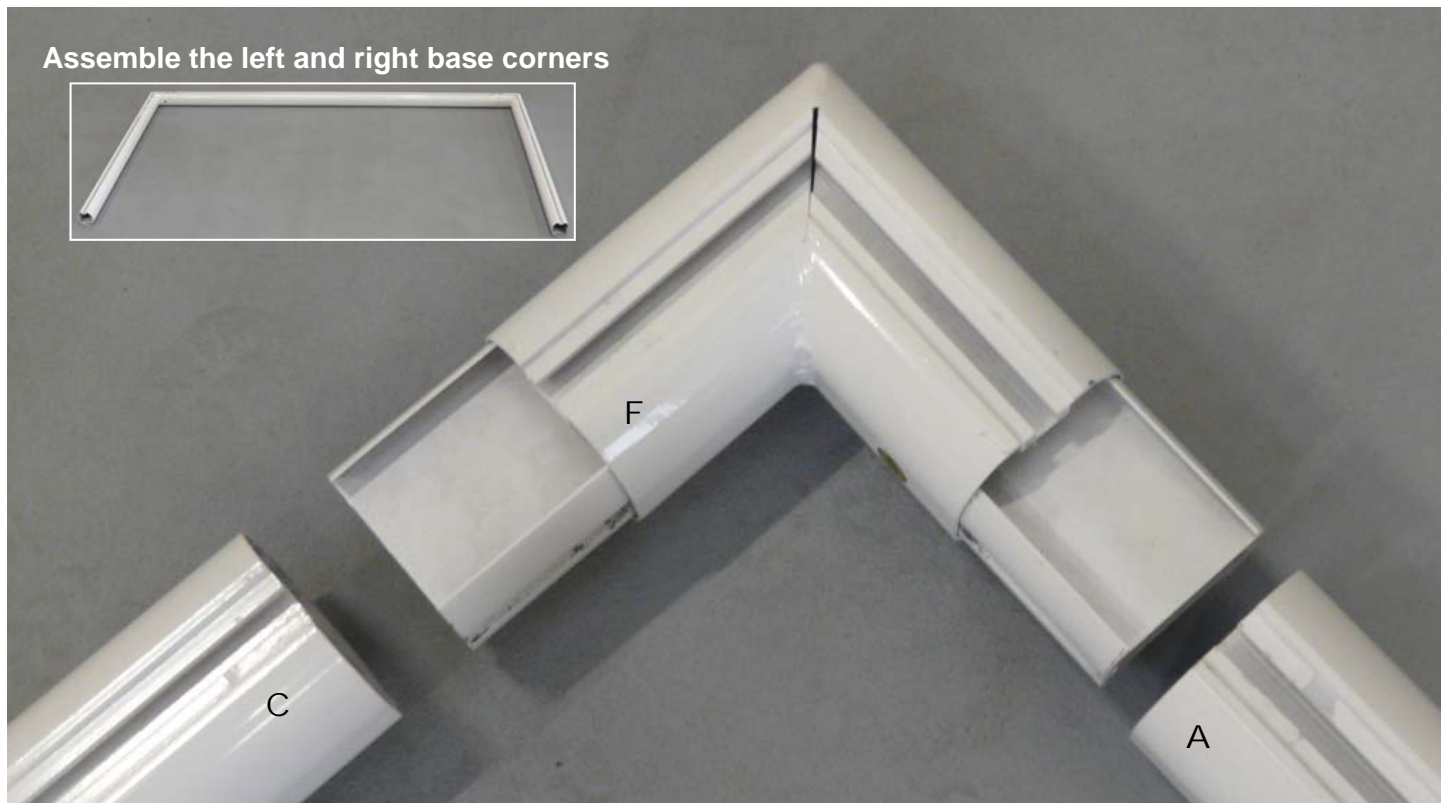
www.upper90goals.com
(800) 523-5177

54515—Aluminum Futsal Goal Customer Instructions



Upper90⁷

Assemble the left and right base corners

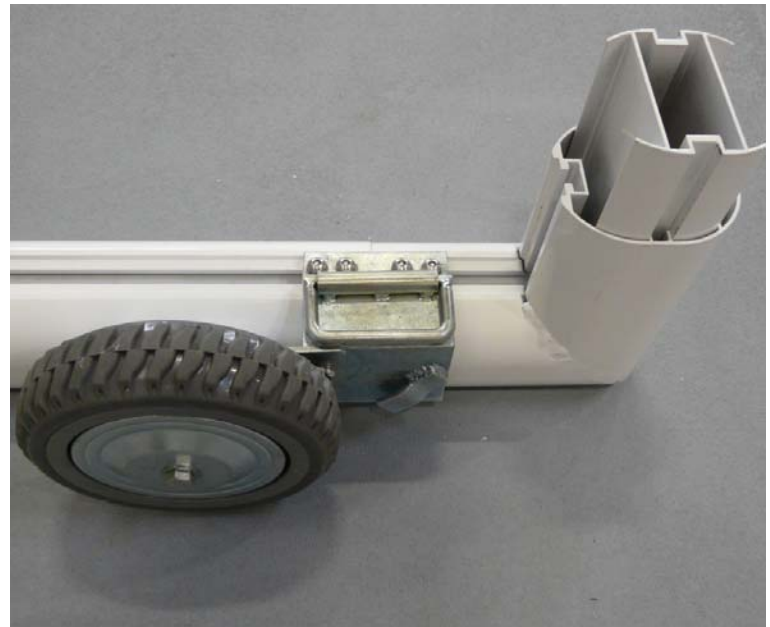
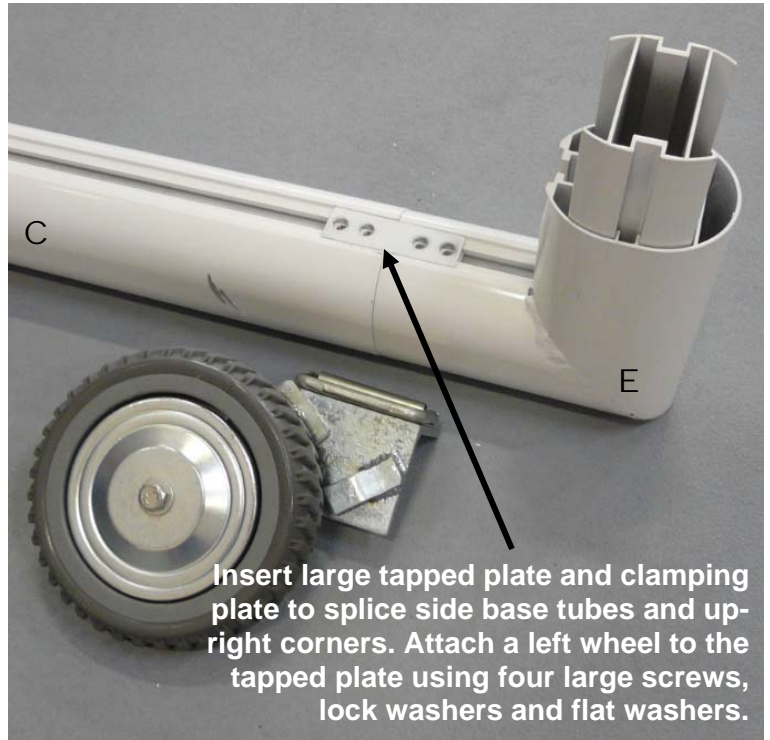
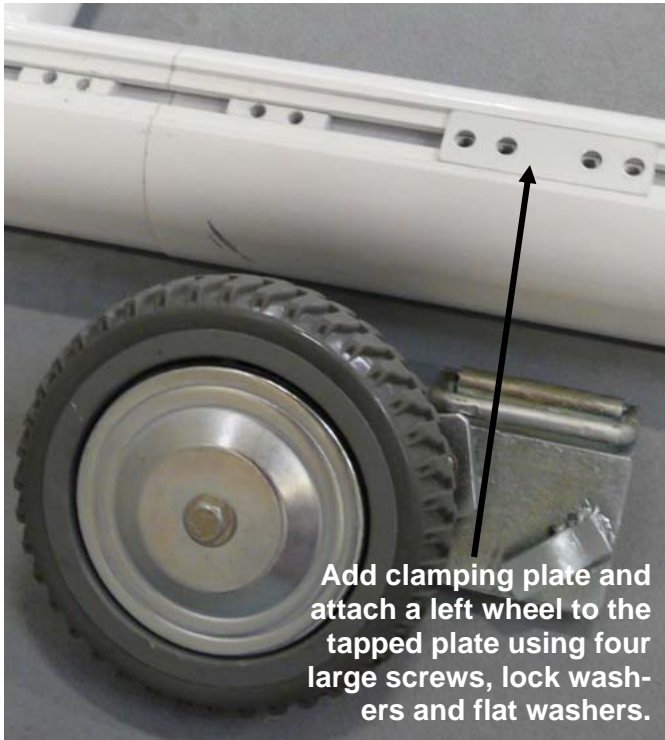


Insert two small tapped 2 hole plate
(for rear back stay connection)

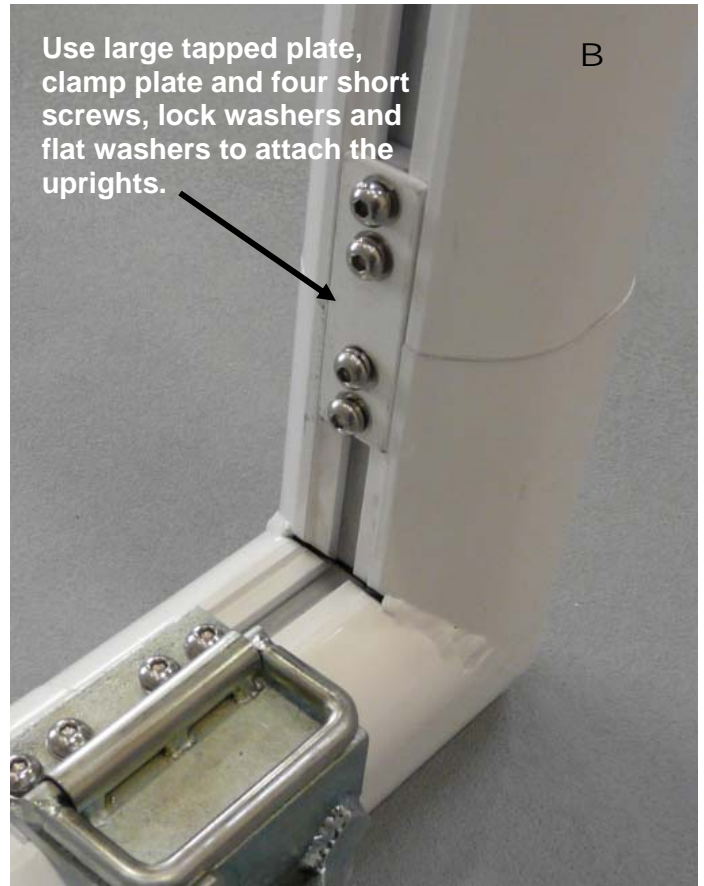
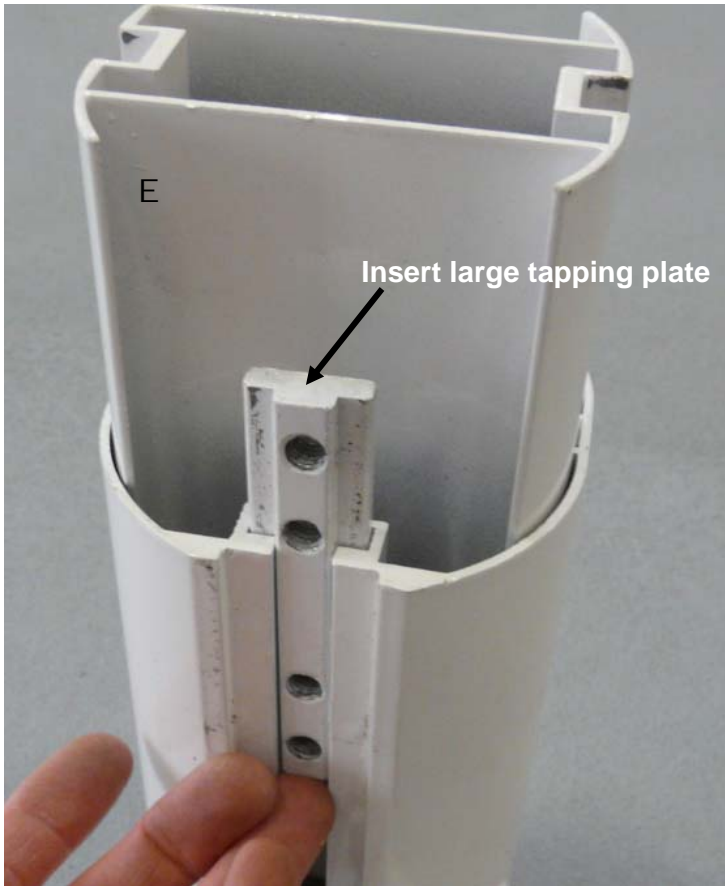
Use large tapped plate,
clamp plate and four short
screws, lock washers and
flat washers.

Large tapped 4 hole plate
(for left rear wheel)

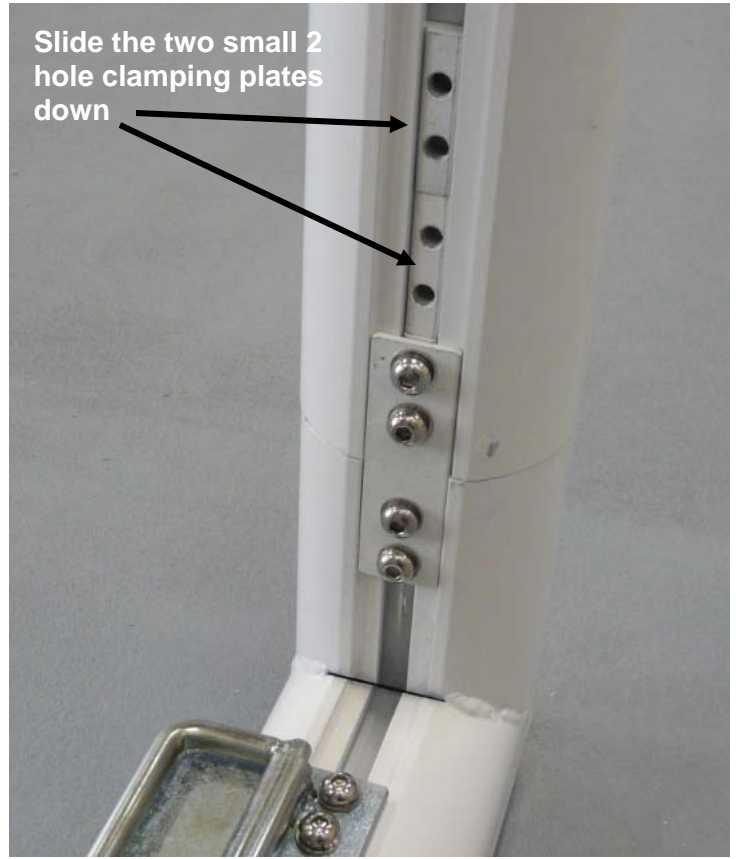
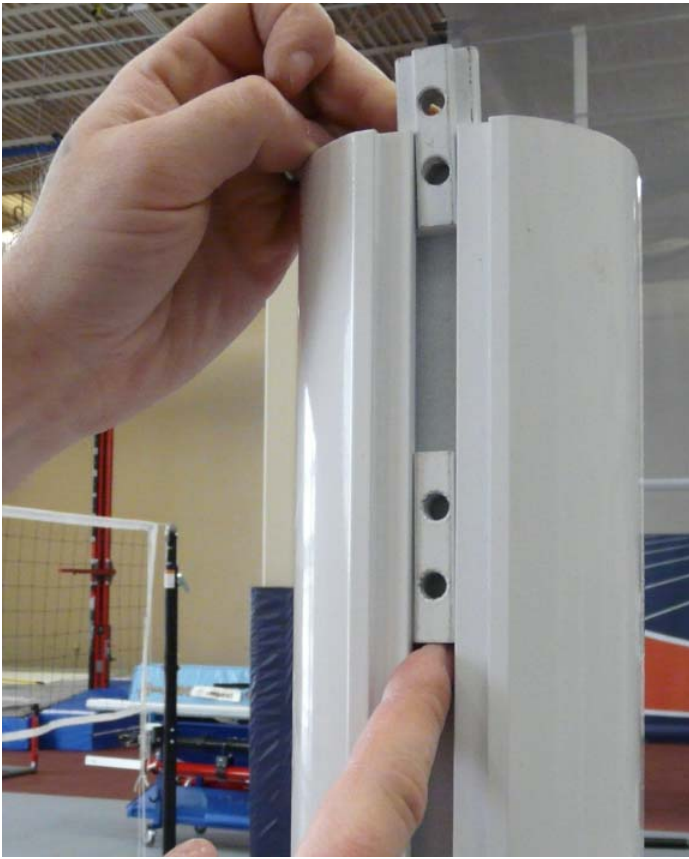
upper90¹



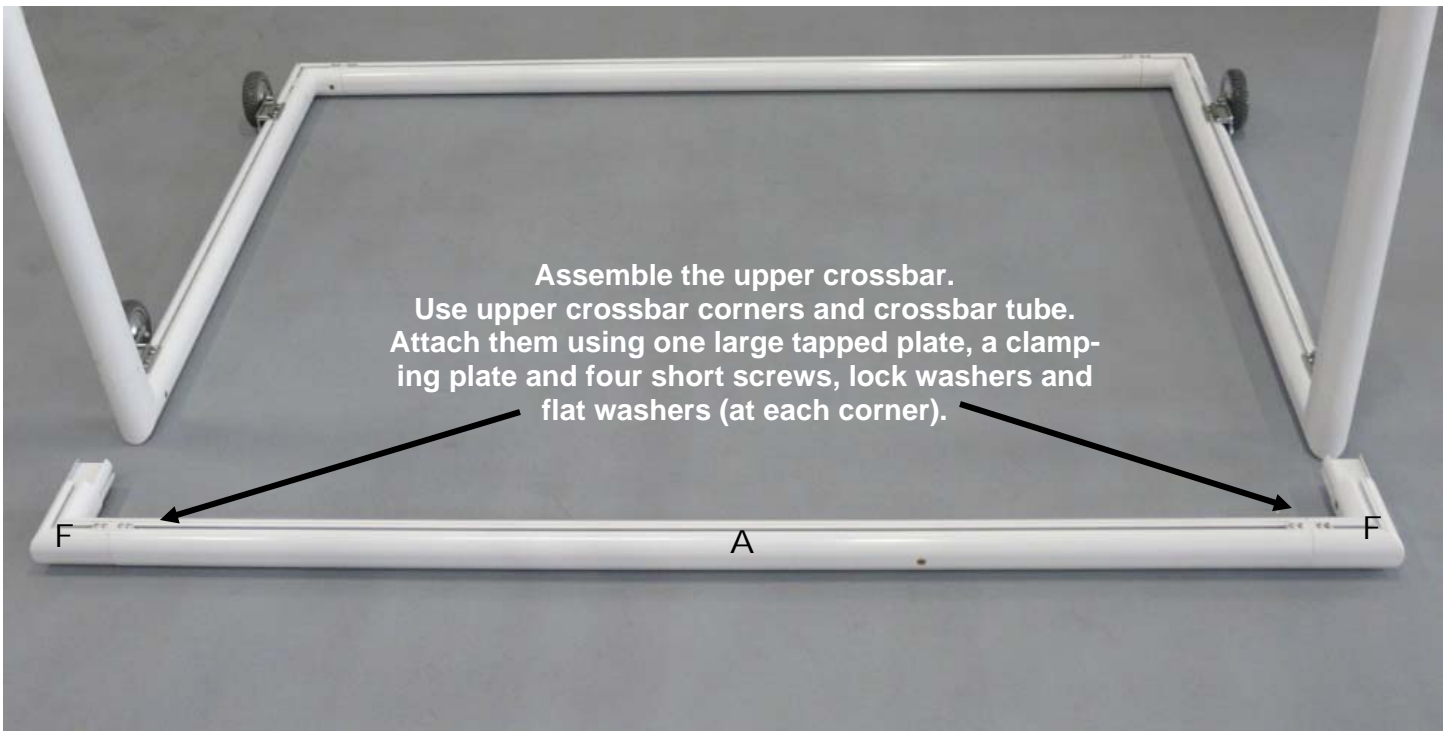
Upper90⁷



upper90¹

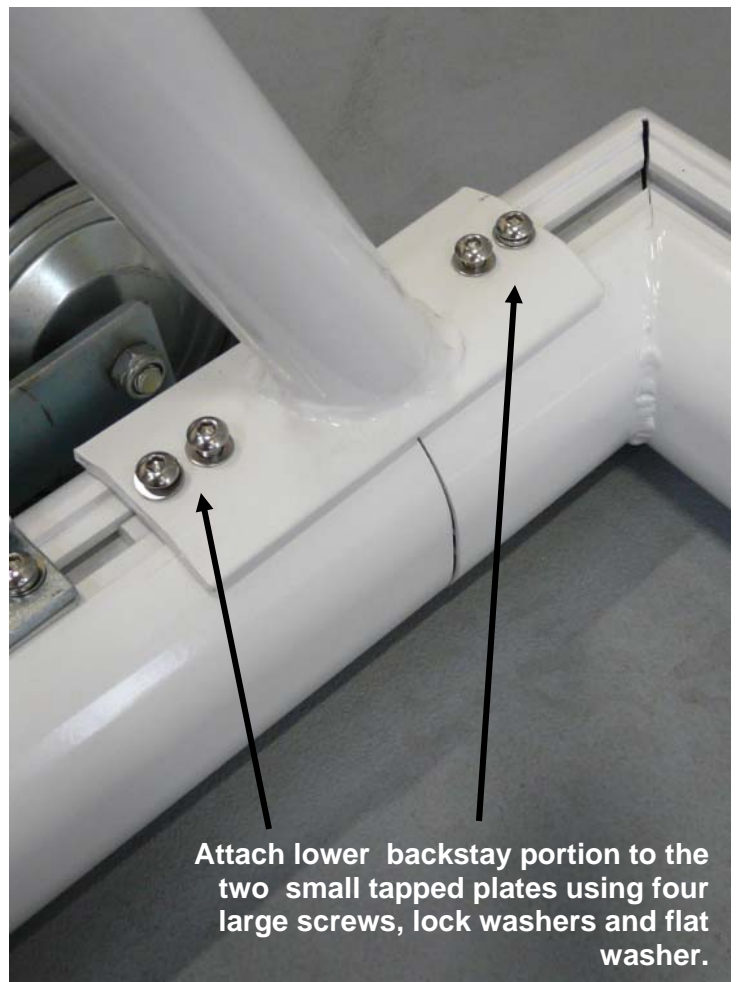


Slide the two small 2 hole clamping plates down



Assemble the upper crossbar.
Use upper crossbar corners and crossbar tube.
Attach them using one large tapped plate, a clamping plate and four short screws, lock washers and flat washers (at each corner).

Upper90⁷



upper90¹



Slide one of the two small tapped plates up to the crossbar corner. Hold it in place using a narrow object. Use two large screws, lock washers and flat washers to bolt the top portion of the backstay to the corner. Slide the second small tapped plate up and fasten it the same way. Repeat on the other side.



upper90¹



Attach the net using the plastic net clips as shown.