



# 402 Hurdle w/Gate Tube Graphics

## 402T C XX SP

### Graphic Worksheet

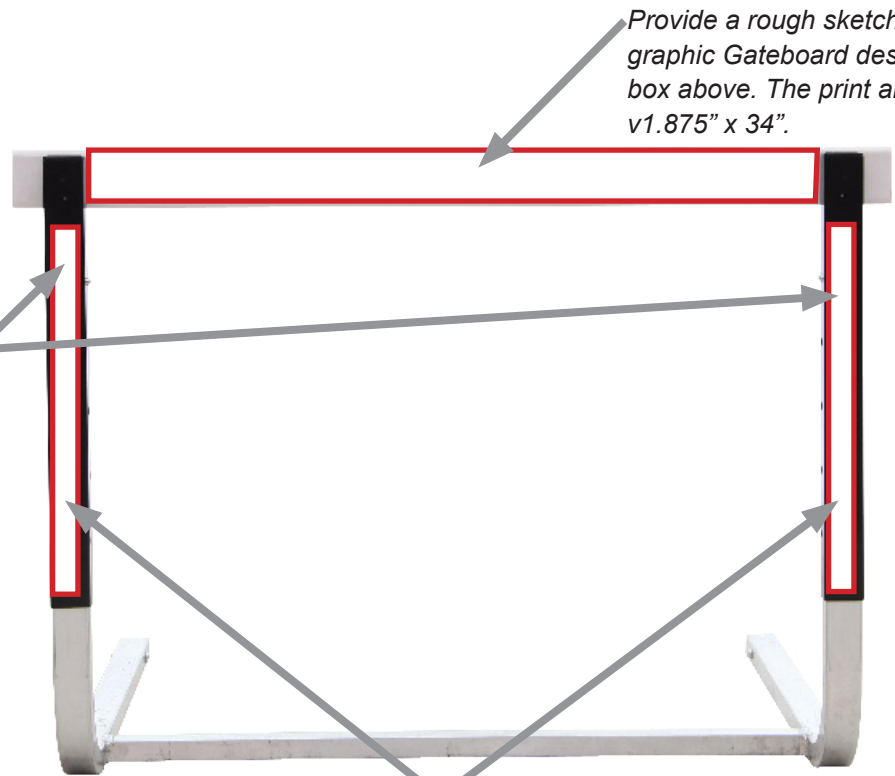
601 Mercury Drive • Champaign, IL 61822 USA  
 ph: 217-367-8438 • fax: 217-367-8440  
 800-637-3090 • www.gillathletics.com

School Name:  
 Contact for design approval:  
 phone number:  
 email:  
 shipping address:

Worksheet and artwork for pads must be included with order. File types must be vector art such as: Adobe Illustrator (.AI) and .EPS. **Image files such as JPEG, TIFF, GIF, PNG and PDF are not acceptable.** For additional information, see Artwork Guidelines. Orders without proper documentation and art files will be put on hold until completed. All applicable products will include GILL logo and branding in the custom artwork.



Provide a rough sketch of the graphic Gate tube design at left. The print area is 1.48"x17.88"



Provide a rough sketch of the graphic Gateboard design in the box above. The print area is 1.875" x 34".

- Gate Tube Paint Color - XX**
- |   |   |
|---|---|
| <input type="checkbox"/> 01 light blue  | <input type="checkbox"/> 09 gray        |
| <input type="checkbox"/> 02 royal blue  | <input type="checkbox"/> 10 maroon      |
| <input type="checkbox"/> 03 red         | <input type="checkbox"/> 11 purple      |
| <input type="checkbox"/> 04 white       | <input type="checkbox"/> 12 black       |
| <input type="checkbox"/> 05 orange      | <input type="checkbox"/> 13 navy        |
| <input type="checkbox"/> 06 yellow gold | <input type="checkbox"/> 14 kelly green |
| <input type="checkbox"/> 07 silver      | <input type="checkbox"/> 15 dark green  |
| <input type="checkbox"/> 08 old gold    |   |

**Note: Artwork will always be printed on white gateboard.**