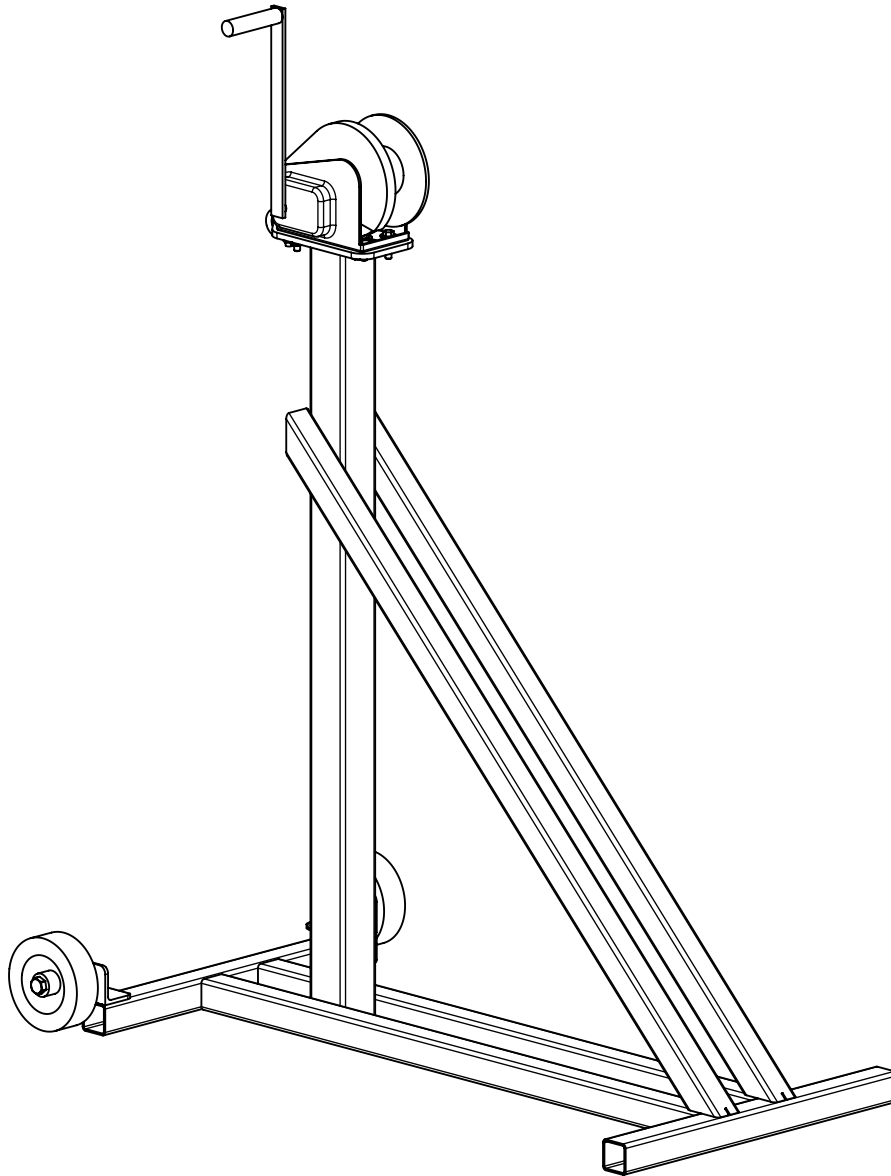




www.gillathletics.com  
800-637-3090

## 73231080 - THOR WINCH ASSEMBLY INSTRUCTIONS



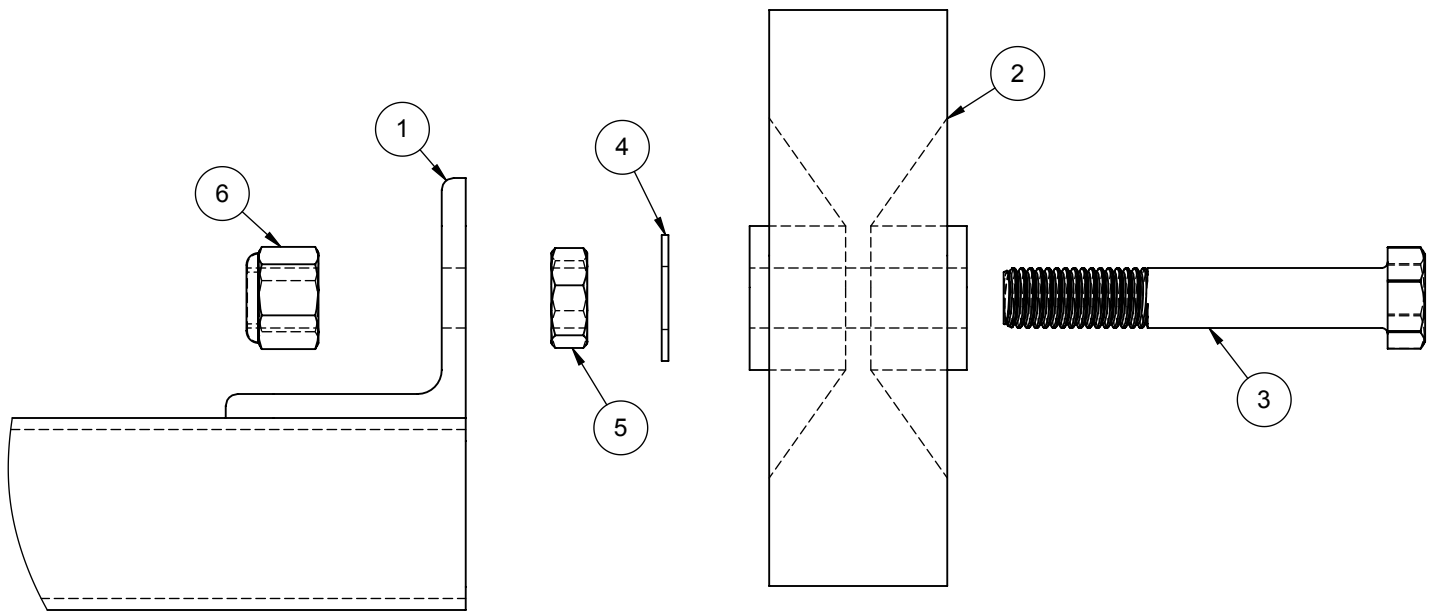
**⚠ WARNING:** This product can expose you to Titanium Dioxide, which is known to the State of California to cause cancer. For more information go to [www.p65warnings.ca.gov](http://www.p65warnings.ca.gov).

E

Assemble the wheels onto the frame as shown.

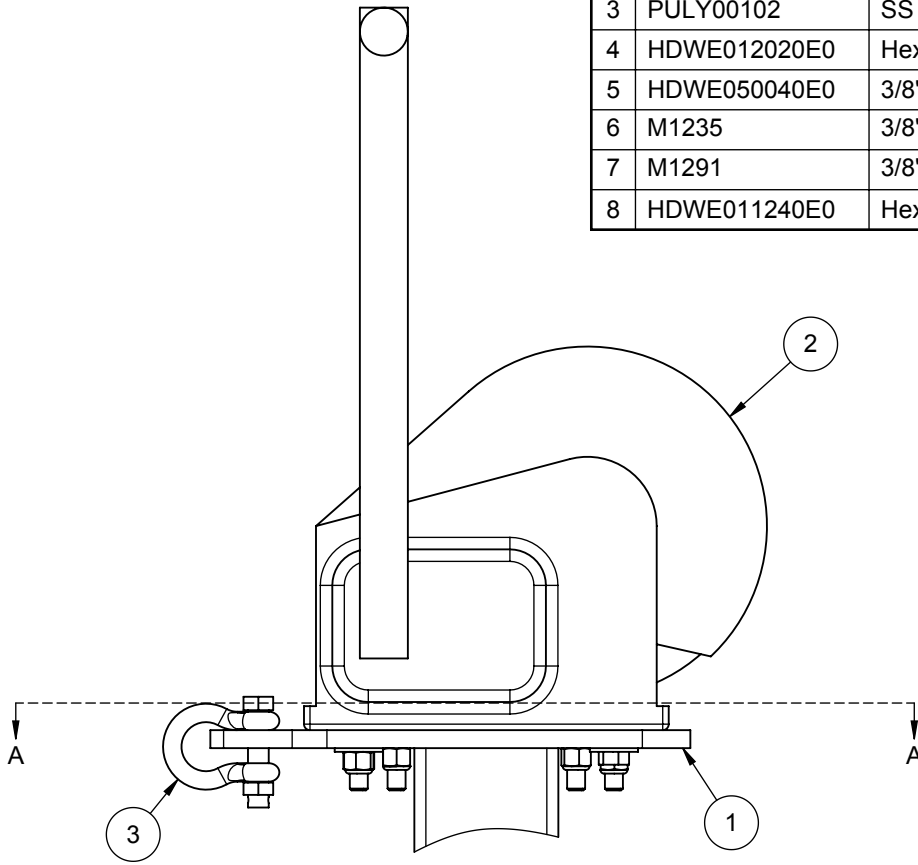
Use the jam nut to clamp against the bracket.

Make sure that the wheel spins freely.

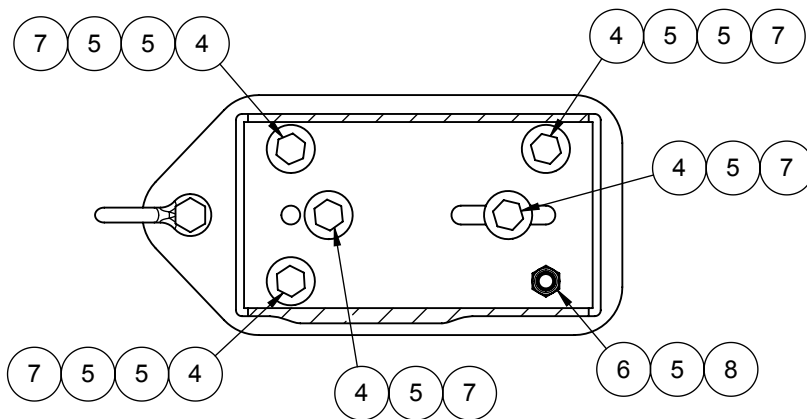


|   | PART #       | DESCRIPTION                       | QTY |
|---|--------------|-----------------------------------|-----|
| 1 | 73231080     | Thor Winch Frame                  | 1   |
| 2 | M701         | 6 X 2 WHEEL BALL BEARING 5/8 BORE | 2   |
| 3 | M2278        | 5/8"-11 Hex Bolt Gr5              | 2   |
| 4 | M2293        | 5/8" Flat Washer                  | 2   |
| 5 | M2292        | 5/8-11 JAM NUT PLATED             | 2   |
| 6 | HDWE030690E0 | 5/8"-11 Nylock Hex Nut            | 2   |

|   | PART #       | DESCRIPTION                             | QTY |
|---|--------------|---|-----|
| 1 | 73231080     | Thor Winch Frame                        | 1   |
| 2 | WINH00112    | 1800 lb Working Load Limit Hand Winch   | 1   |
| 3 | PULY00102    | SS Shackle                              | 1   |
| 4 | HDWE012020E0 | Hex Bolt 3/8-16 x 1.5                   | 5   |
| 5 | HDWE050040E0 | 3/8" Flatwasher                         | 9   |
| 6 | M1235        | 3/8"-16 thin nylock hex nut             | 1   |
| 7 | M1291        | 3/8"-16 Nylock hex nut, standard height | 5   |
| 8 | HDWE011240E0 | Hex Bolt 3/8-16 x 1                     | 1   |



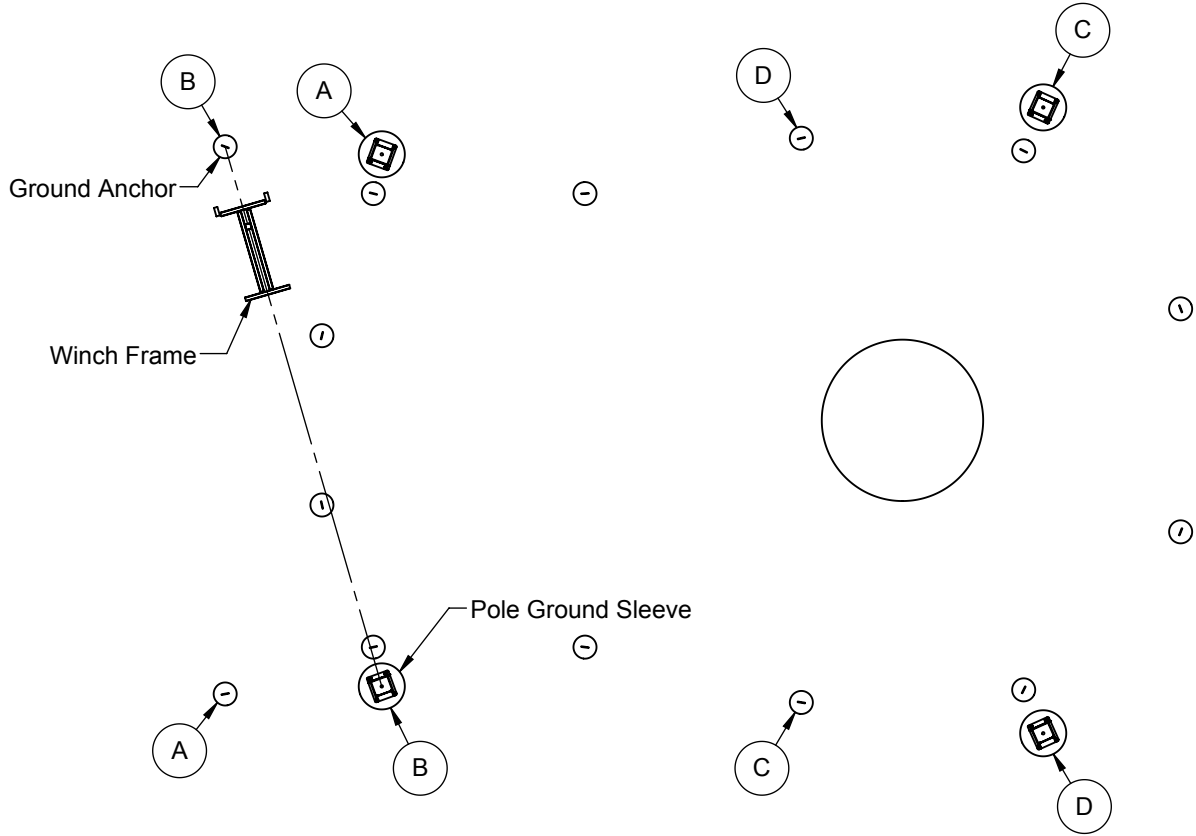
Bolt the winch onto the top of the winch frame.





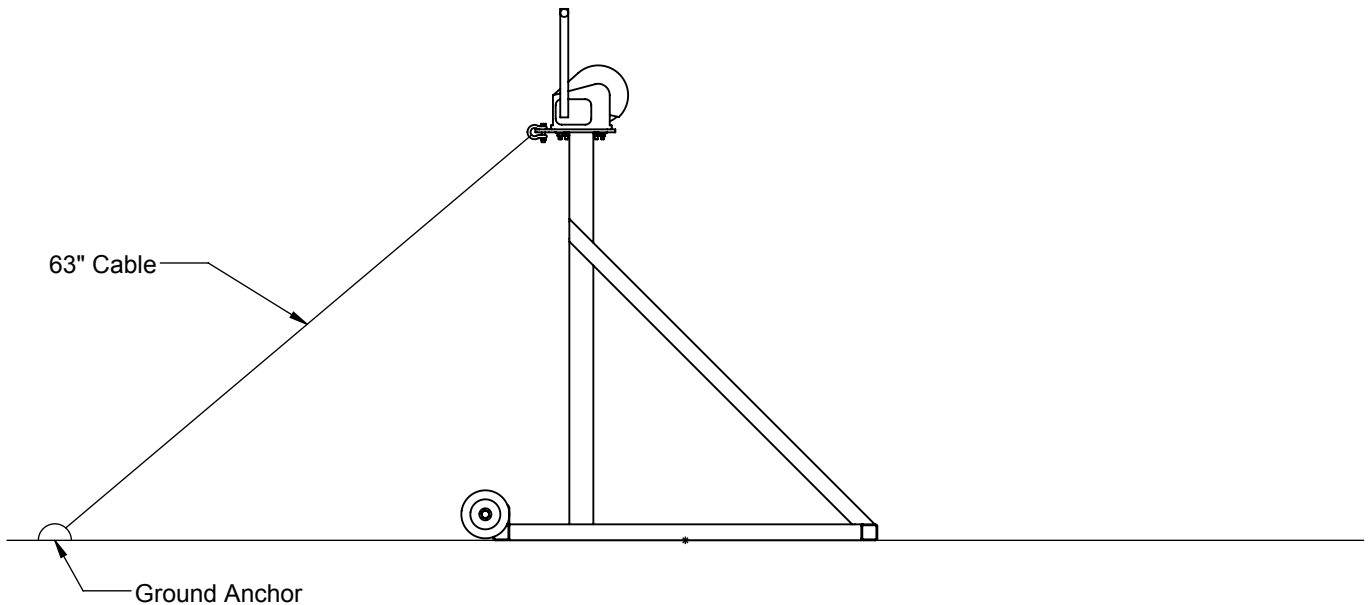
www.gillathletics.com  
800-637-3090

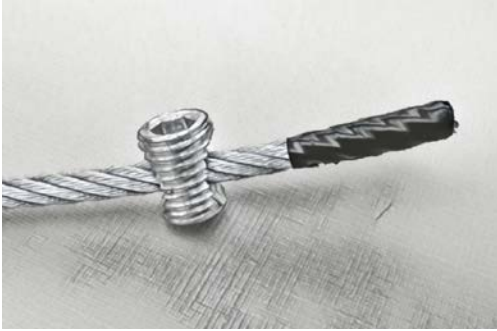
# 73231080 - THOR WINCH ASSEMBLY INSTRUCTIONS WINCH FRAME POSITION



To raise one of the poles, anchor the winch frame to the corresponding ground anchor.

Use the provided 63" cable and shackles.





The winch comes with a 52'-6" cable with a loop at one end.

Make sure the straight end of the cable has electrical tape on it to keep it from fraying.

Slide retaining set screw onto the cable.



From inside the drum, slide the straight end of the cable through one of the small holes. Far enough to keep it in place, but short enough so that it doesn't prevent the winch from turning backwards.

Slide the retaining set screw into one of the large holes.



Start the nut onto the retaining set screw, but do not tighten it yet.



Use an allen wrench to turn the retaining set screw counterclock-wise to tighten the cable.



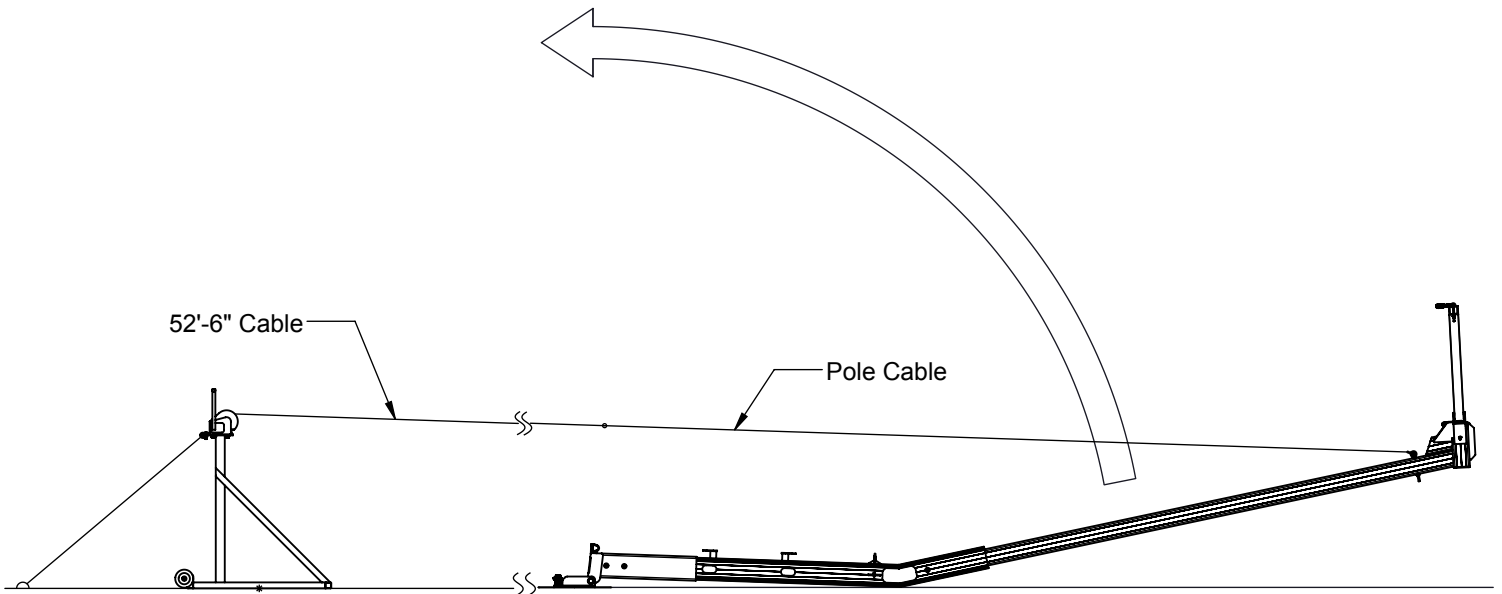
While holding the allen wrench in place, turn the nut with a wrench to tighten the cable against the inside wall of the winch.



Always keep tension on the cable while winding and unwinding. If the cable is not kept taut, it will get tangled.

To raise the poles, first make sure that the poles are completely assembled and the ropes are run correctly.

Use **EXTREME** caution. Make sure that the area is clear.



Disconnect the bottom of the pole cable from the elastic rope.

Connect the pole cable to the winch cable with a shackle.

Slowly raise the pole.

Bolt the boot down to the spigot. See the main instructions.

Do **NOT** disconnect the winch until the pole is secure.

Slowly release the tension on the cable, then disconnect the winch cable from the pole cable.