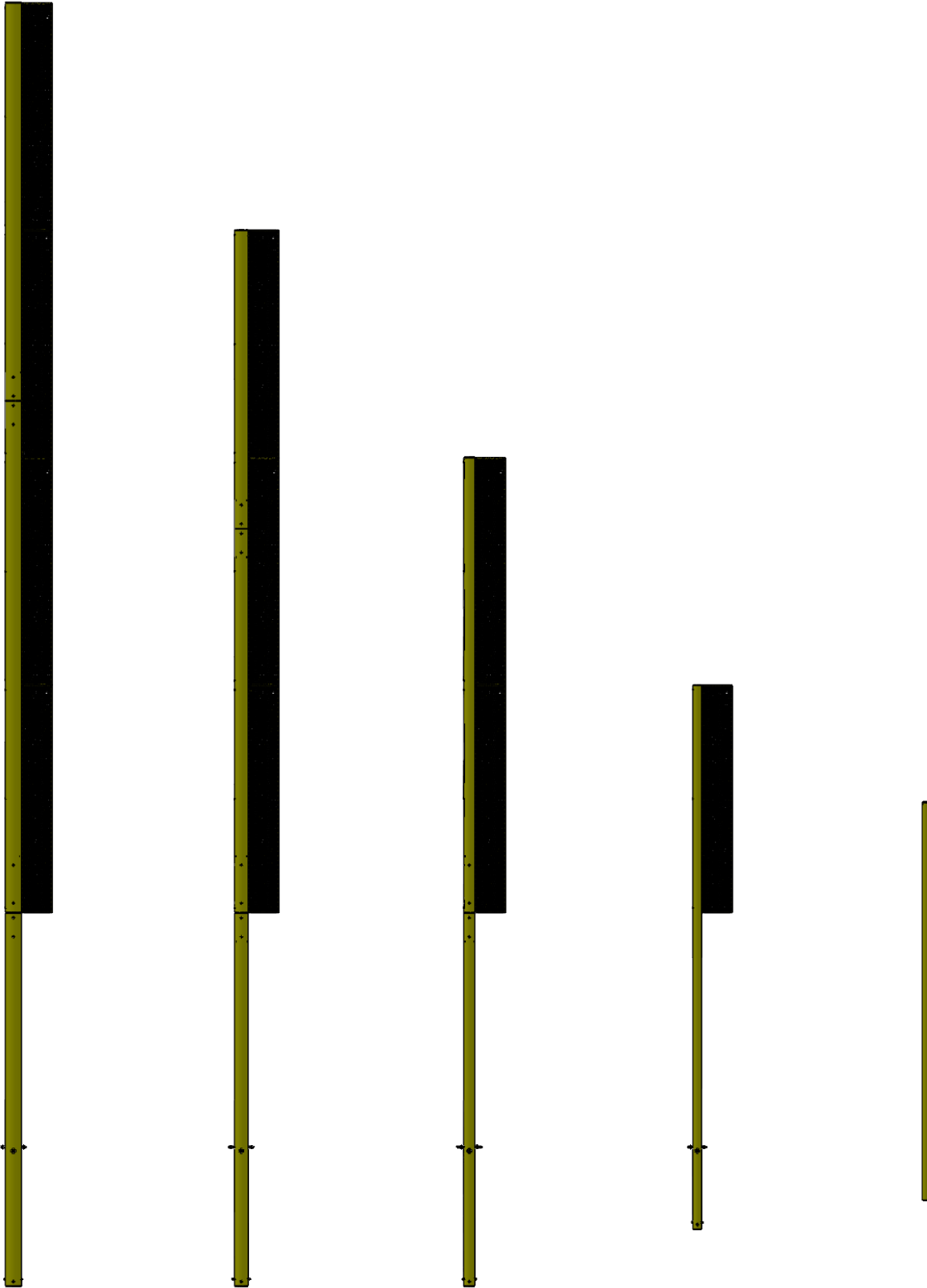




www.gillathletics.com
800-637-3090

IN- GROUND FOUL POLE INSTALLATION INSTRUCTIONS



Copyright © 2018 by Gill Athletics.
All rights reserved.

⚠ WARNING: This product can expose you to Titanium Dioxide, which is known to the State of California to cause cancer. For more information go to www.p65warnings.ca.gov.

E

1/4/2019
INST3340XX_IG
Page 1 of 9



www.gillathletics.com
800-637-3090

IN- GROUND FOUL POLE INSTALLATION INSTRUCTIONS

Installation Instructions

1. Check all items against parts list to ensure all parts have been included.
2. Locate and drill holes for concrete footings. See **Details A** and **B** for critical information regarding footing size and location, optional outdoor ground sleeves, and orientation of pole sections.

For In-Ground Mounted Foul Poles

3. Support lower pole section in hole, with top of lower pole section located 8'-0" above playing surface. See **Detail B** for proper orientation of pole.
4. Fill hole with concrete. slope top of footing slightly for proper drainage. See **Detail A**.
5. Allow concrete to set a MINIMUM of 24 hours before proceeding.
6. Proceed to Step 7.

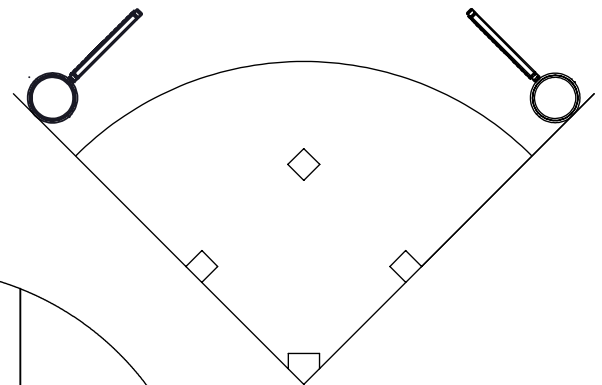
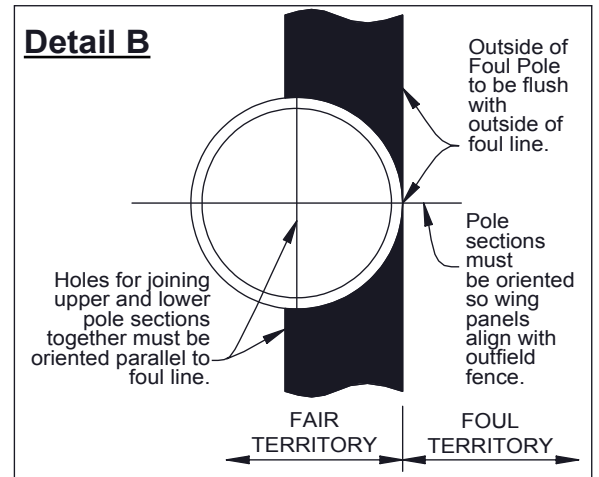
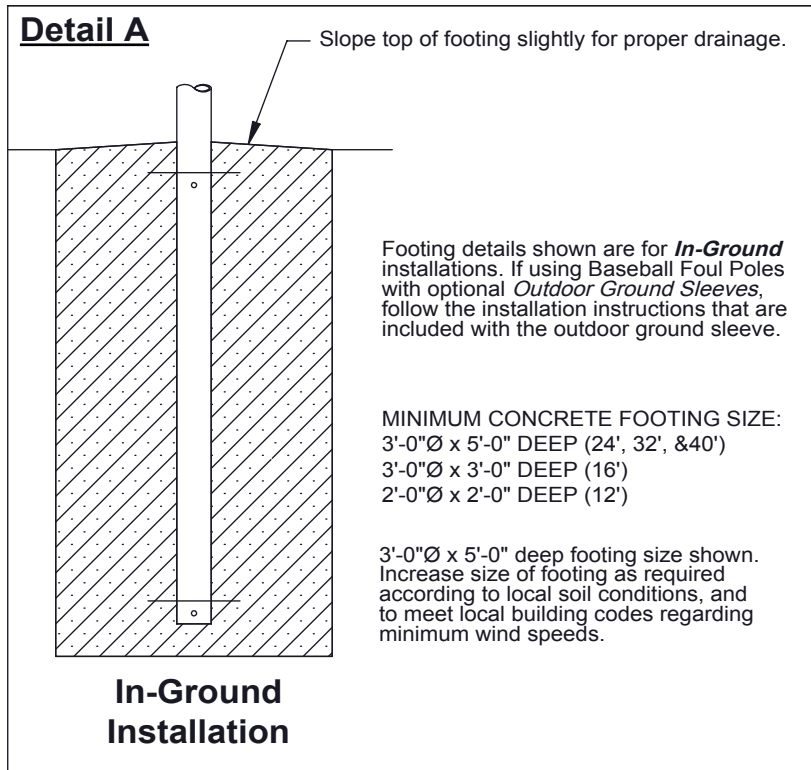
All Foul Poles With Wing Panels

7. Assemble upper pole section as shown on pages 4 and 5.
8. Assemble wing panels to upper poles section. See page 6.
9. Secure wing panels to each other with bolts (two at each connection). See page 6 (Skip Step 9 for 16' Foul Poles with one wing panel).



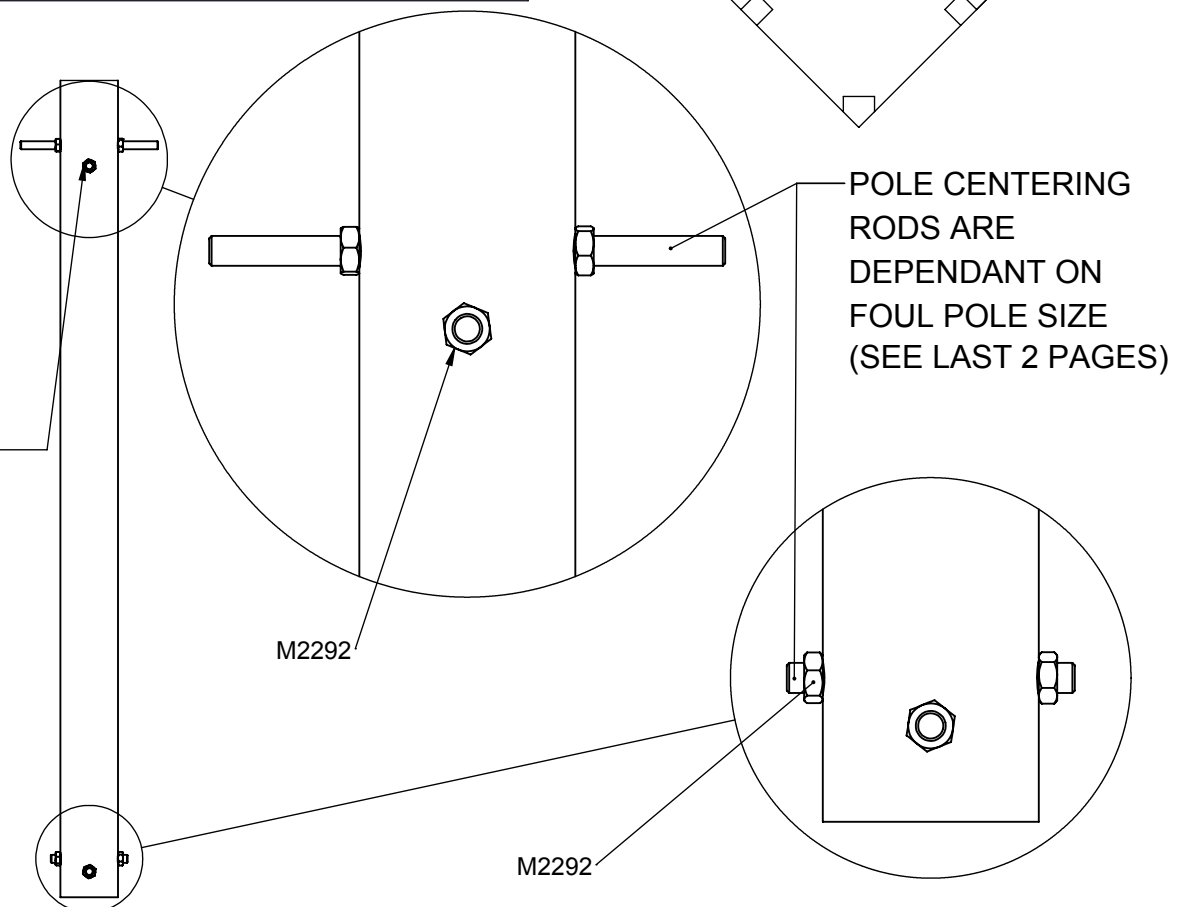
www.gillathletics.com
800-637-3090

IN- GROUND FOUL POLE INSTALLATION INSTRUCTIONS



ONE THREADED ROD MUST BE PARALLEL AND ONE MUST BE PERPENDICULAR TO FOUL LINE. UPPER POLE SECTIONS CAN BE MOUNTED IN 90 DEGREE INTERVALS (24', 32', & 40').

16' FOUL POLE SHOULD BE INSTALLED WITH WING MOUNTING HOLES PERPENDICULAR TO FOUL LINE





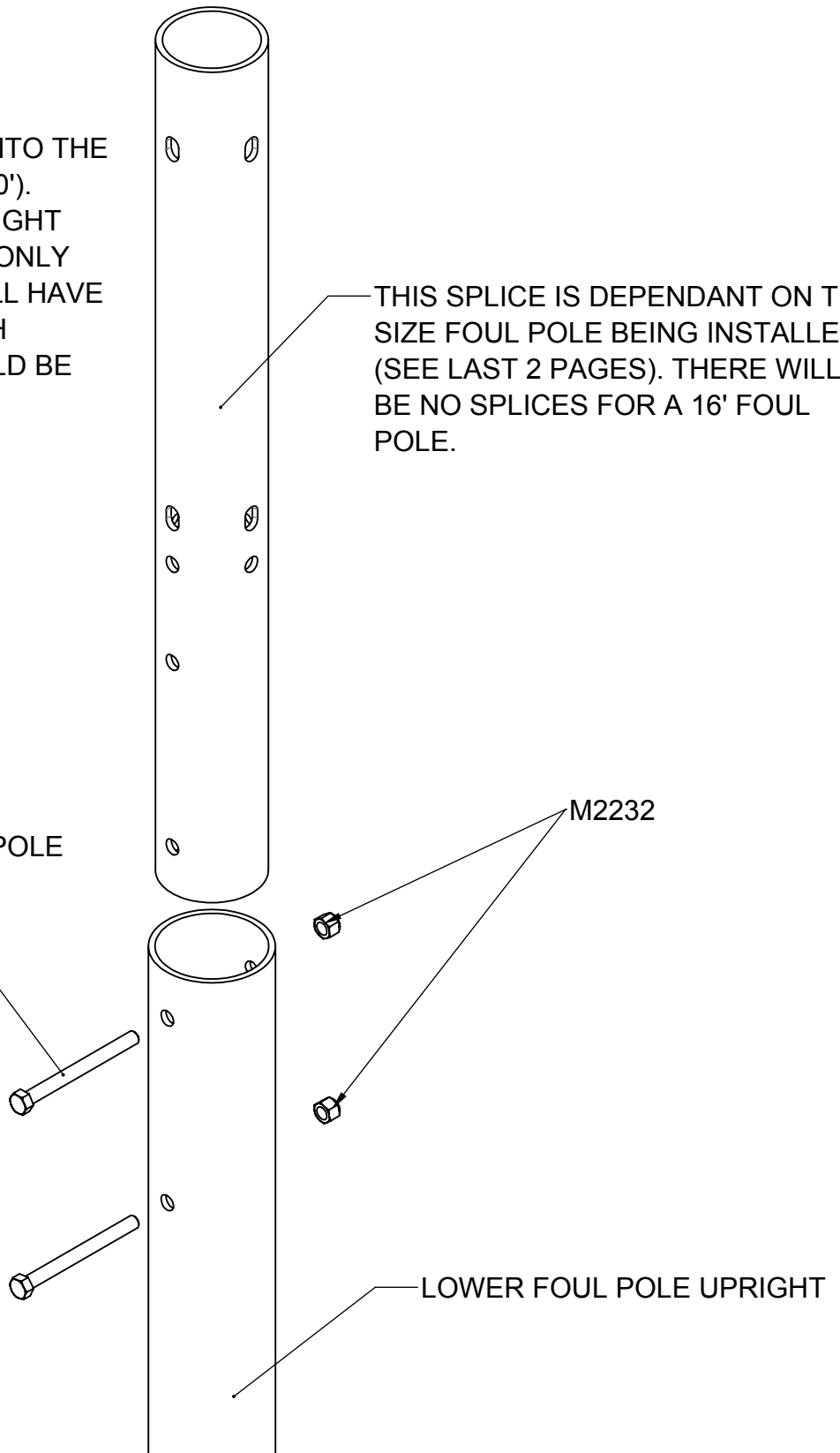
www.gillathletics.com
800-637-3090

IN- GROUND FOUL POLE INSTALLATION INSTRUCTIONS

INSERT FOUL POLE SPLICE INTO THE LOWER UPRIGHT (24', 32', & 40'). NOTE THAT THE LOWER UPRIGHT HAS 12" HOLE SPACING AND ONLY ONE SIDE OF THE SPLICE WILL HAVE 12" HOLE SPACING TO MATCH (SLOTS IN THE SPLICE SHOULD BE ON TOP).

1/2"-13 BOLT
LENGTH DEPENDS ON FOUL POLE
(SEE LAST 2 PAGES)

THIS SPLICE IS DEPENDANT ON THE SIZE FOUL POLE BEING INSTALLED (SEE LAST 2 PAGES). THERE WILL BE NO SPLICES FOR A 16' FOUL POLE.





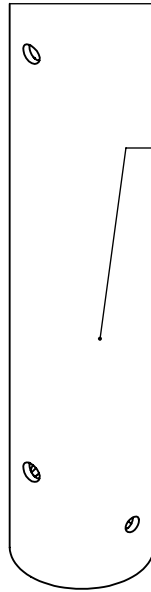
www.gillathletics.com
800-637-3090

IN- GROUND FOUL POLE INSTALLATION INSTRUCTIONS

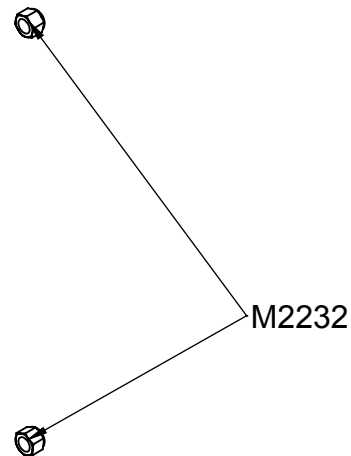
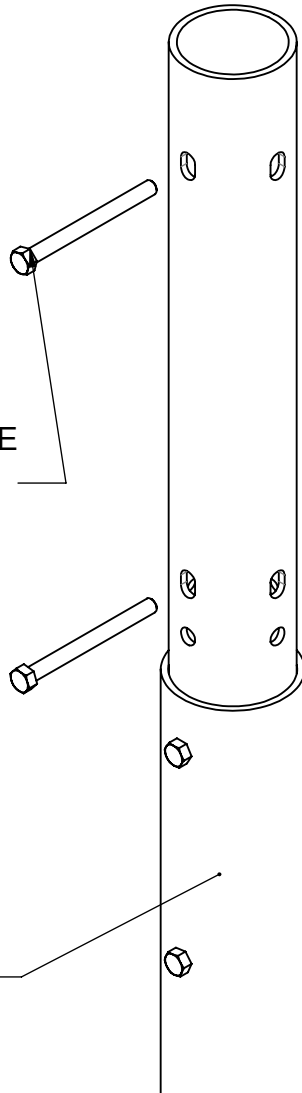
ATTACH THE UPPER (24') OR
MIDDLE (32' & 40') UPRIGHT
TO THE LOWER POLE. MAKE SURE
THE HOLES TO MOUNT THE WING
PANELS ARE PERPENDICULAR TO
THE FOUL LINE. THE UPPER
PORTION OF THE FOUL POLE CAN
BE MOUNTED IN 90 DEGREE
INTERVALS.

1/2"-13 BOLT
LENGTH DEPENDS ON FOUL POLE
(SEE LAST 2 PAGES)

LOWER FOUL POLE UPRIGHT



UPPER OR MIDDLE FOUL POLE UPRIGHT



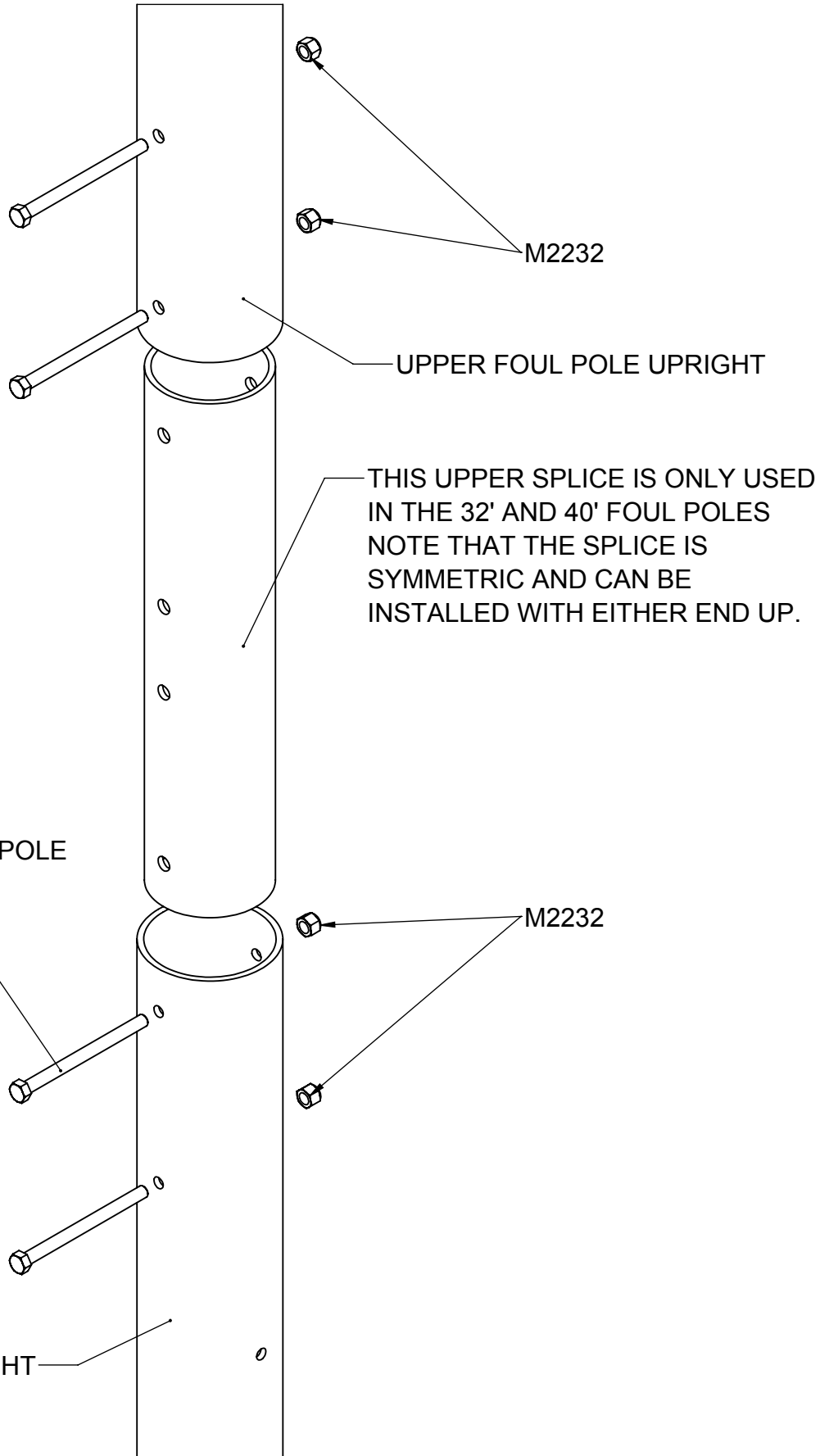
M2232



www.gillathletics.com
800-637-3090

IN- GROUND FOUL POLE INSTALLATION INSTRUCTIONS

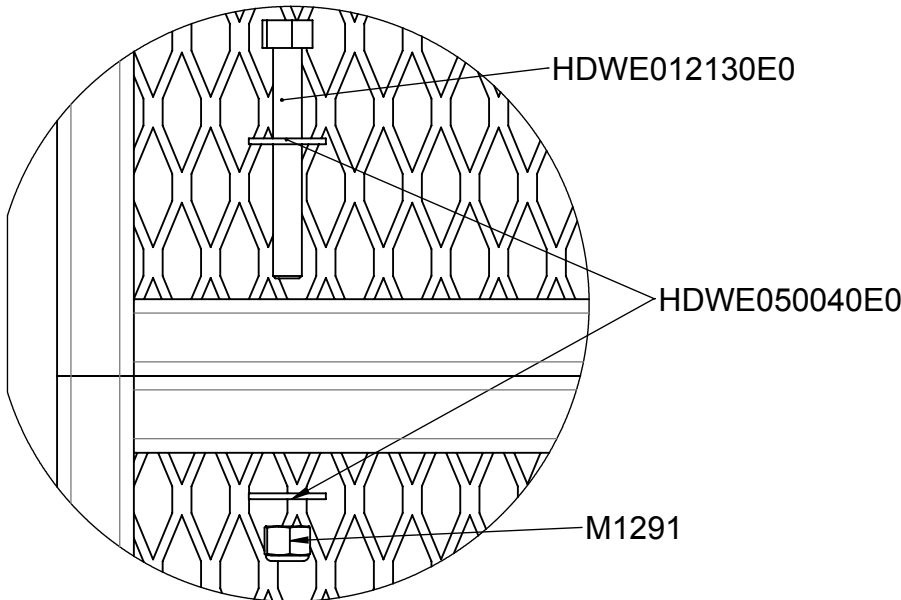
FOR THE 32' AND 40' FOUL POLES, ATTACH THE UPPER POLE USING THE SMALLER SPLICE. DEPENDING ON THE EQUIPMENT USED FOR INSTALLATION, IT MAY BE EASIER TO ATTACH THE UPPER AND MIDDLE POLE WHILE THEY ARE ON THE GROUND.



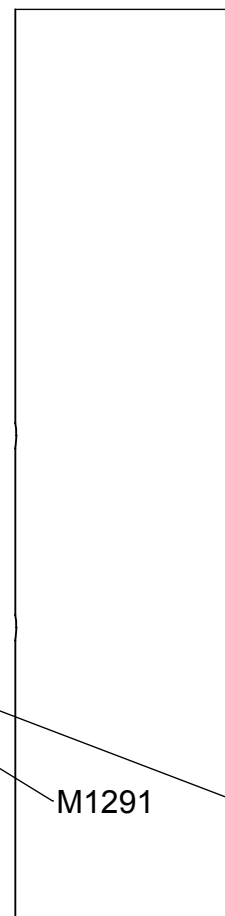
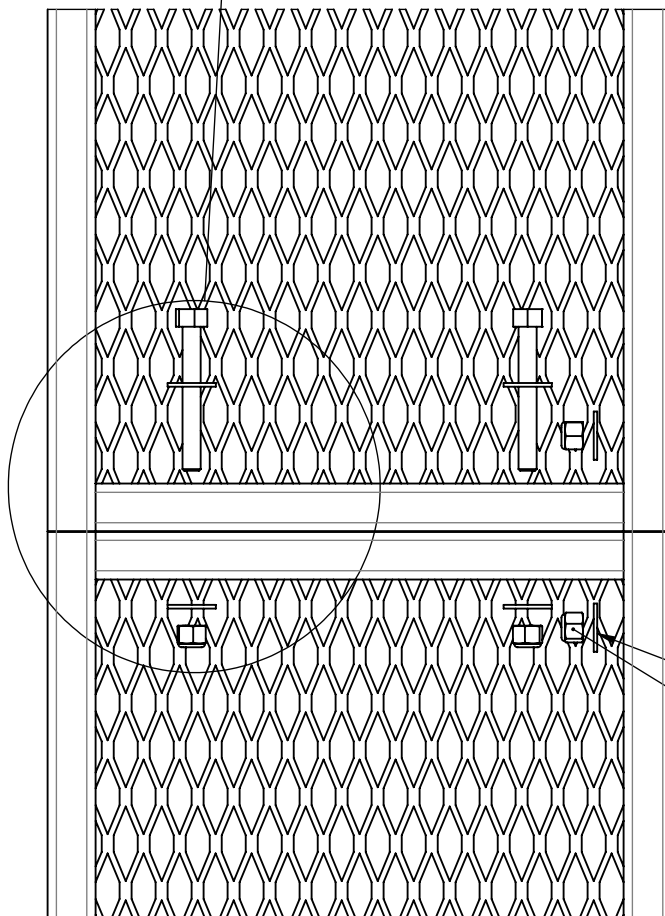


www.gillathletics.com
800-637-3090

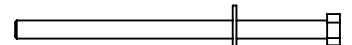
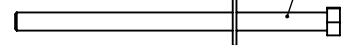
IN- GROUND FOUL POLE INSTALLATION INSTRUCTIONS



ATTACH WING PANELS WITH THE LONGER 3/8"-16 BOLTS. EACH PANEL HAS 3 MOUNTING HOLES THAT WILL LINE UP WITH THE HOLES IN THE UPRIGHTS. FOR FOUL POLES WITH MORE THAN ONE PANEL (24', 32', & 40'), JOIN THE PANELS WITH THE SMALLER 3/8"-16 BOLTS. (DETAIL LEFT)



3/8"-16 BOLT
LENGTH DEPENDS ON
FOUL POLE
(SEE LAST 2 PAGES)



M1291

HDWE050040E0



www.gillathletics.com
800-637-3090

IN- GROUND FOUL POLE INSTALLATION INSTRUCTIONS

12' FOUL POLE

#	Part #	Description	Qty.
1	POLE334012101	12' FOUL POLE UPRIGHT	1
2	PCAP00060002	INSIDE CAP PLUG - 2-3/8"	1

16' FOUL POLE

#	Part #	Description	Qty.
1	POLE334016101	16' FOUL POLE UPRIGHT	1
2	PANL00334	FOUL POLE WING PANEL	1
3	HDWE012250E0	HEX BOLT - 3/8-16 X 5-1/2"	3
4	HDWE050040E0	3/8" FLATWASHER	6
5	M1291	3/8"-16 NYLOCK HEX NUT	3
6	M2292	5/8"-11 JAM NUT	8
7	HDWE050070E0	5/8" FLATWASHER (USS)	4
8	HDWE03012000	5/8"-11 HEX NUT	4
9	F30013	POLE CENTERING PIN - 5/8" X 4 7/8"	2
10	F30011	POLE CENTERING PIN - 5/8" X 7 7/8"	2

24' FOUL POLE

#	Part #	Description	Qty.
1	POLE334024101	24' FOUL POLE UPRIGHT; LOWER	1
2	POLE334024201	24' FOUL POLE UPRIGHT; UPPER	1
3	PANL00334	FOUL POLE WING PANEL	2
4	SLVE00164	24' FOUL POLE UPRIGHT SPLICE	1
5	HDWE012270E0	HEX BOLT - 3/8"-16 X 6-1/2"	6
6	HDWE012130E0	HEX BOLT - 3/8"-16 X 3"	2
7	HDWE050040E0	3/8" FLATWASHER	16
8	M1291	3/8"-16 NYLOCK HEX NUT	8
9	HDWE011810E0	HEX BOLT- 1/2"-13 X 5-1/2"	4
10	M2232	1/2"-13 NYLOCK HEX NUT	4
11	M2292	5/8"-11 JAM NUT	8
12	HDWE050070E0	5/8" FLATWASHER (USS)	4
13	HDWE03012000	5/8"-11 HEX NUT	4
14	F33011	POLE CENTERING PIN 5/8" X 7 7/8"	2
15	F30012	POLE CENTERING PIN 5/8" X 10 3/4"	2



www.gillathletics.com
800-637-3090

IN- GROUND FOUL POLE INSTALLATION INSTRUCTIONS

32' FOUL POLE

#	Part #	Description	Qty.
1	POLE334032101	32' FOUL POLE UPRIGHT; LOWER	1
2	POLE334032201	32' FOUL POLE UPRIGHT; MIDDLE	1
3	POLE334032301	32' FOUL POLE UPRIGHT; UPPER	1
4	PANL00334	FOUL POLE WING PANEL	3
5	SLVE00165	32' FOUL POLE SPLICE; UPPER	1
6	SLVE00167	32' FOUL POLE SPLICE; UPPER	1
7	HDWE050040E0	3/8" FLATWASHER	26
8	HDWE012290E0	HEX BOLT - 3/8"-16 x 7 1/2"	9
9	HDWE012150E0	HEX BOLT - 3/8"-16 X 3 1/4"	4
10	M1291	3/8"-16 NYLOCK HEX NUT	13
11	HDWE011840E0	HEX BOLT - 1/2"-13 X 6-1/2"	8
12	M2232	1/2"-13 NYLOCK HEX NUT	8
13	M2292	5/8"-11 JAM NUT	8
14	HDWE03012000	5/8"-11 HEX NUT	4
15	HDWE050070E0	5/8" FLAT WASHER (USS)	4
16	F30011	POLE CENTERING PIN 5/8" X 7 7/8"	2
17	F30012	POLE CENTERING PIN 5/8" X 10 3/4"	2

40' FOUL POLE

#	Part #	Description	Qty.
1	POLE334040101	40' FOUL POLE UPRIGHT; LOWER	1
2	POLE334040201	40' FOUL POLE UPRIGHT; MIDDLE	1
3	POLE334040301	40' FOUL POLE UPRIGHT; UPPER	1
4	PANL00334	FOUL POLE WING PANEL	4
5	SLVE00166	FOUL POLE SPLICE; LOWER	1
6	SLVE00168	FOUL POLE SPLICE; UPPER	1
7	HDWE012130E0	HEX BOLT - 3/8"-16 X 3"	6
8	HDWE012300E0	HEX BOLT - 3/8"-16 x 8 1/2"	12
9	HDWE050040E0	3/8" FLATWASHER	36
10	M1291	3/8"-16 NYLOCK HEX NUT	18
11	HDWE012820E0	HEX BOLT - 1/2"-13 X 7 1/2"	8
12	M2232	1/2"-13 NYLOCK HEX NUT	8
13	M2292	5/8"-11 JAM NUT	8
14	HDWE050070E0	5/8" FLATWASHER (USS)	4
15	HDWE03012000	5/8"-11 HEX NUT	4
16	F30011	POLE CENTERING PIN 5/8" X 7 7/8"	2
17	F30012	POLE CENTERING PIN 5/8" X 10 3/4"	2

HARDWARE QUANTITIES SHOWN ARE FOR ONE FOUL POLE