

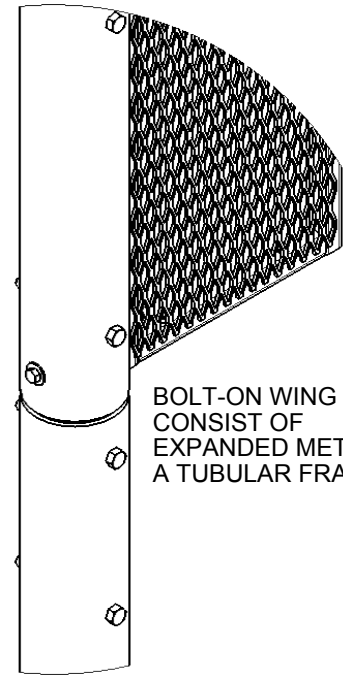


www.gillathletics.com
800-637-3090

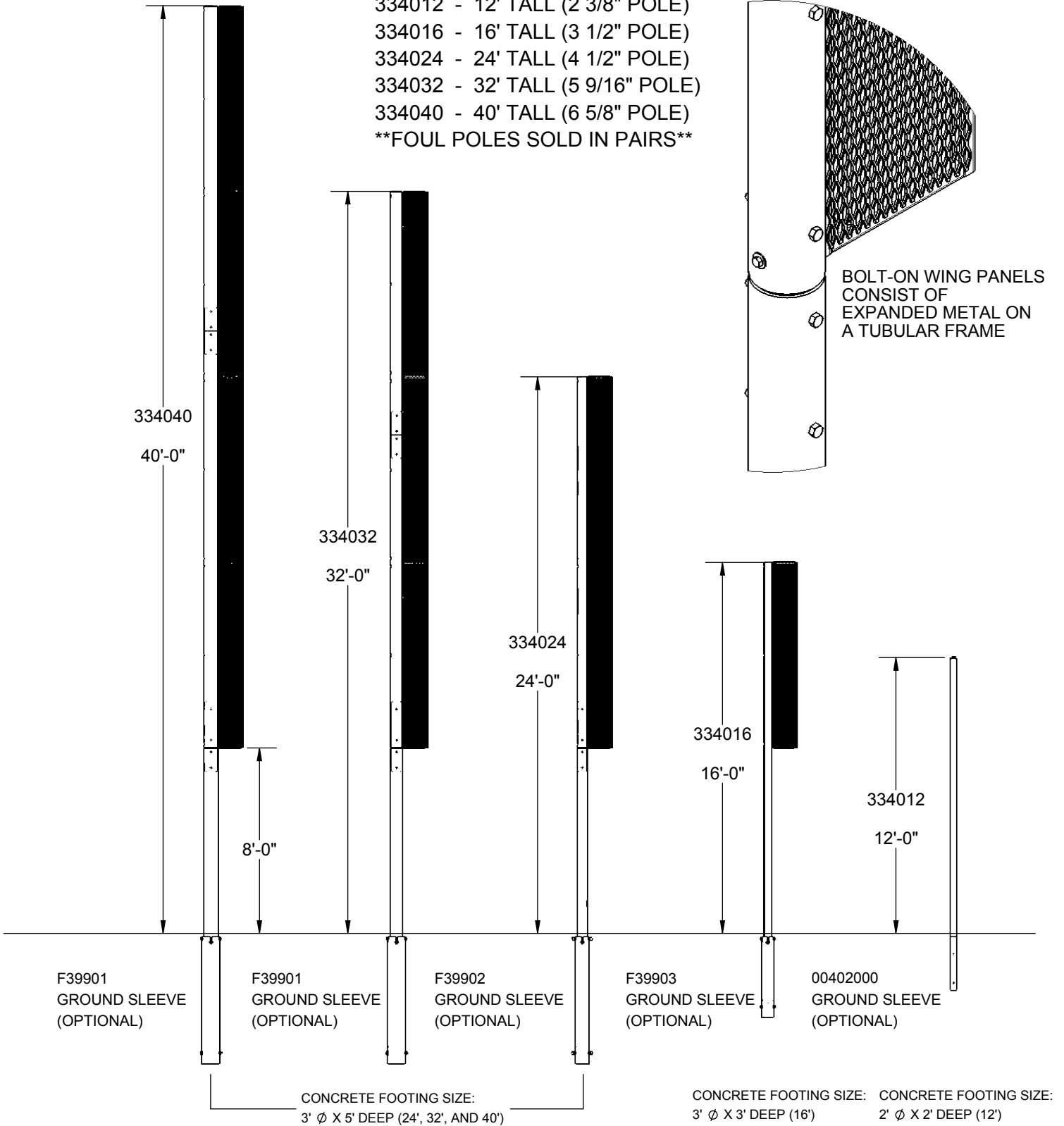
IN GROUND FOUL POLE SPECIFICATIONS

FOUL POLES

- 334012 - 12' TALL (2 3/8" POLE)
 - 334016 - 16' TALL (3 1/2" POLE)
 - 334024 - 24' TALL (4 1/2" POLE)
 - 334032 - 32' TALL (5 9/16" POLE)
 - 334040 - 40' TALL (6 5/8" POLE)
- **FOUL POLES SOLD IN PAIRS****



BOLT-ON WING PANELS
CONSIST OF
EXPANDED METAL ON
A TUBULAR FRAME



THIS IS THE MINIMUM RECOMMENDED FOOTING SIZE. INCREASE SIZE OF FOOTING AS REQUIRED ACCORDING TO LOCAL SOIL CONDITIONS, AND TO MEET LOCAL BUILDING CODES REGARDING MINIMUM WIND SPEEDS.

Copyright © 2018 by Gill Athletics.
All rights reserved.

⚠ WARNING: This product can expose you to Titanium Dioxide, which is known to the State of California to cause cancer. For more information go to www.p65warnings.ca.gov.

12/21/2018
3340XX_GSSPEC
Page 1 of 1