

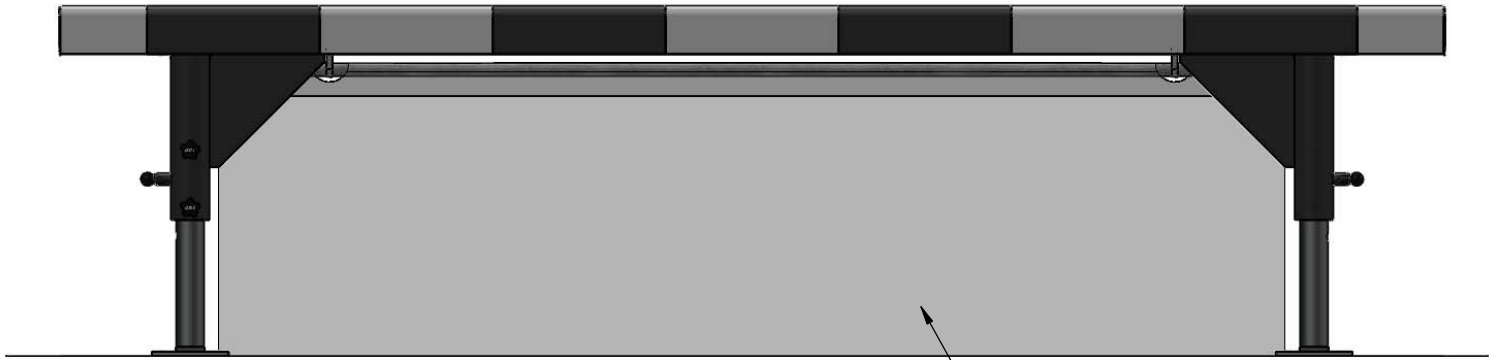


www.gillathletics.com
800-637-3090

7401452XX - MESH BARRIER SEAL INSTRUCTIONS

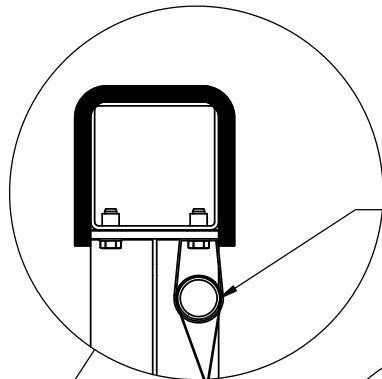
Tools needed:
Two people
One 9/16" wrench
PVC Glue
Sand

Approach Side View



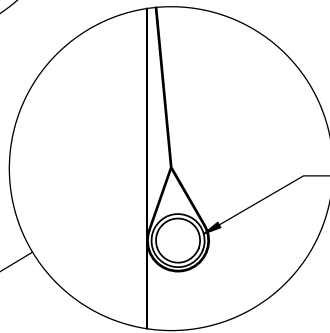
The light weight barrier seal moves up and down with the barrier to prevent glare at all heights.

Mesh barrier seal reduces glare and is available in five colors



The top of the barrier seal is supported by a 1-5/16" diameter pipe.

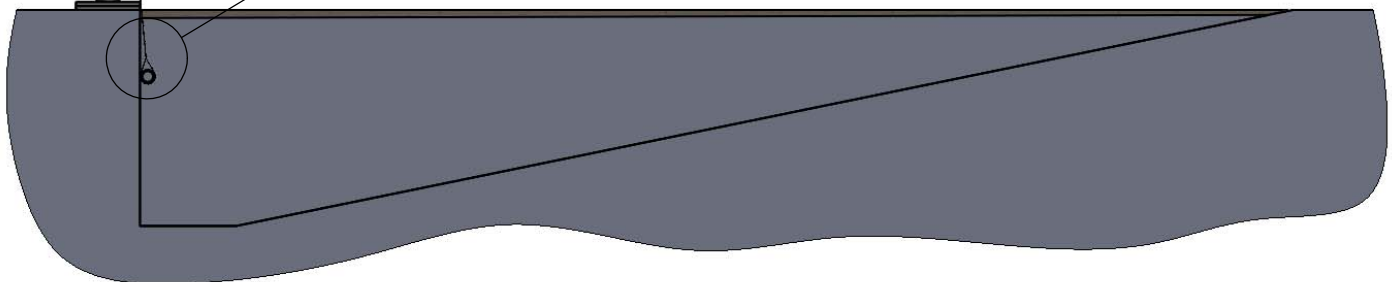
Top Support Pipe



The bottom of the barrier seal is weighed down with a PVC pipe filled with sand.

Bottom Weighted PVC Pipe

Color	Part Number
Royal Blue	740145202
Red	740145203
White	740145204
Gray	740145209
Black	740145212
White w/ Graphic	740145204SP



Black Vinyl Pipe Cap
(PCAP00056002)

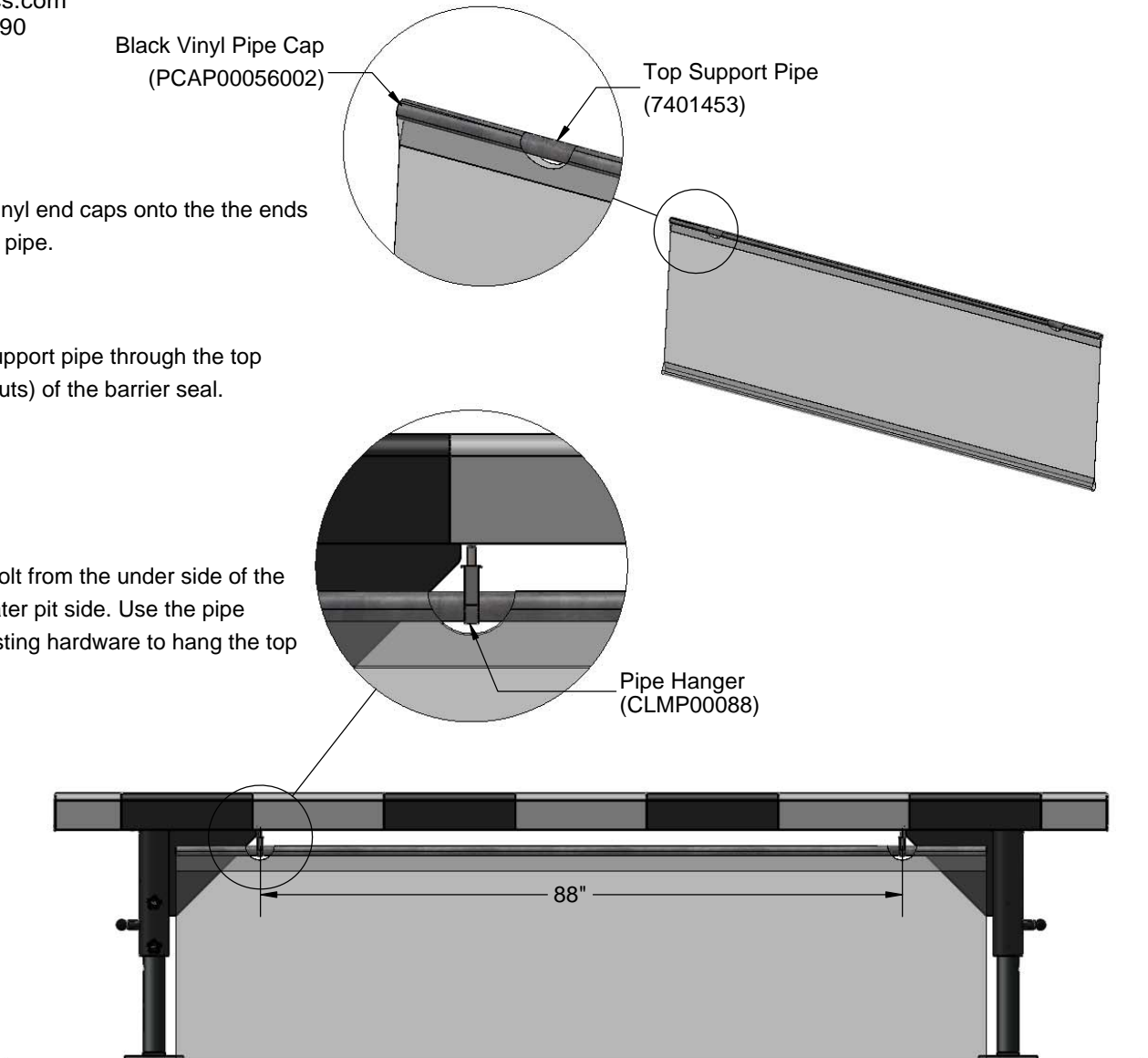
Top Support Pipe
(7401453)

1. Put the black vinyl end caps onto the the ends of the top support pipe.

2. Slide the top support pipe through the top pocket (with cut outs) of the barrier seal.

3. Remove the bolt from the under side of the barrier on the water pit side. Use the pipe hangers and existing hardware to hang the top support pipe.

Pipe Hanger
(CLMP00088)



3. Glue one end cap onto the PVC pipe. Glue is not provided. Fill the PVC pipe with sand and glue the other cap on.

4. Slide the assembled pvc pipe into the bottom pocket of the barrier seal and let it drape into the water pit.

