



## ASSEMBLY INSTRUCTIONS

### FIELD HOCKEY GOAL

No. 260100

#### WARNING

READ ALL WARNINGS THOROUGHLY BEFORE USING THIS EQUIPMENT.

FAILURE TO COMPLY WITH THE FOLLOWING INSTRUCTIONS AND WARNINGS MAY RESULT IN SERIOUS INJURIES AND/OR PROPERTY DAMAGE.

- Portable goals can fall or tip over causing serious injuries or even death.
- Use extreme caution when moving goals. Portable goals should be moved only by authorized personnel familiar with, and physically capable of moving these goals.
- Check all components for structural integrity. Replace damaged components immediately.
- Check all connecting hardware before every use. Replace damaged or missing fasteners immediately.
- Do not use or store goals on a sloped surface.
- **NEVER CLIMB ON GOALS. GOAL CAN TIP OVER, CAUSING SERIOUS INJURIES OR EVEN DEATH.**

THE OWNER OF THIS EQUIPMENT IS RESPONSIBLE TO ENSURE THAT ALL INDIVIDUALS FOLLOW THE SAFETY AND OPERATING INSTRUCTIONS TO AVOID INJURIES OR PROPERTY DAMAGE. PROPER USE AND SUPERVISION OF THIS EQUIPMENT IS ESSENTIAL TO HELP REDUCE THE POSSIBILITY OF ACCIDENTS OR INJURIES.

#### WARNING

READ ALL INSTRUCTIONS THOROUGHLY BEFORE ATTEMPTING TO ASSEMBLE THIS EQUIPMENT. ASSEMBLY OF THIS EQUIPMENT MUST BE DONE BY PHYSICALLY CAPABLE ADULTS ONLY.

#### PARTS LIST (For PAIR of Goals)

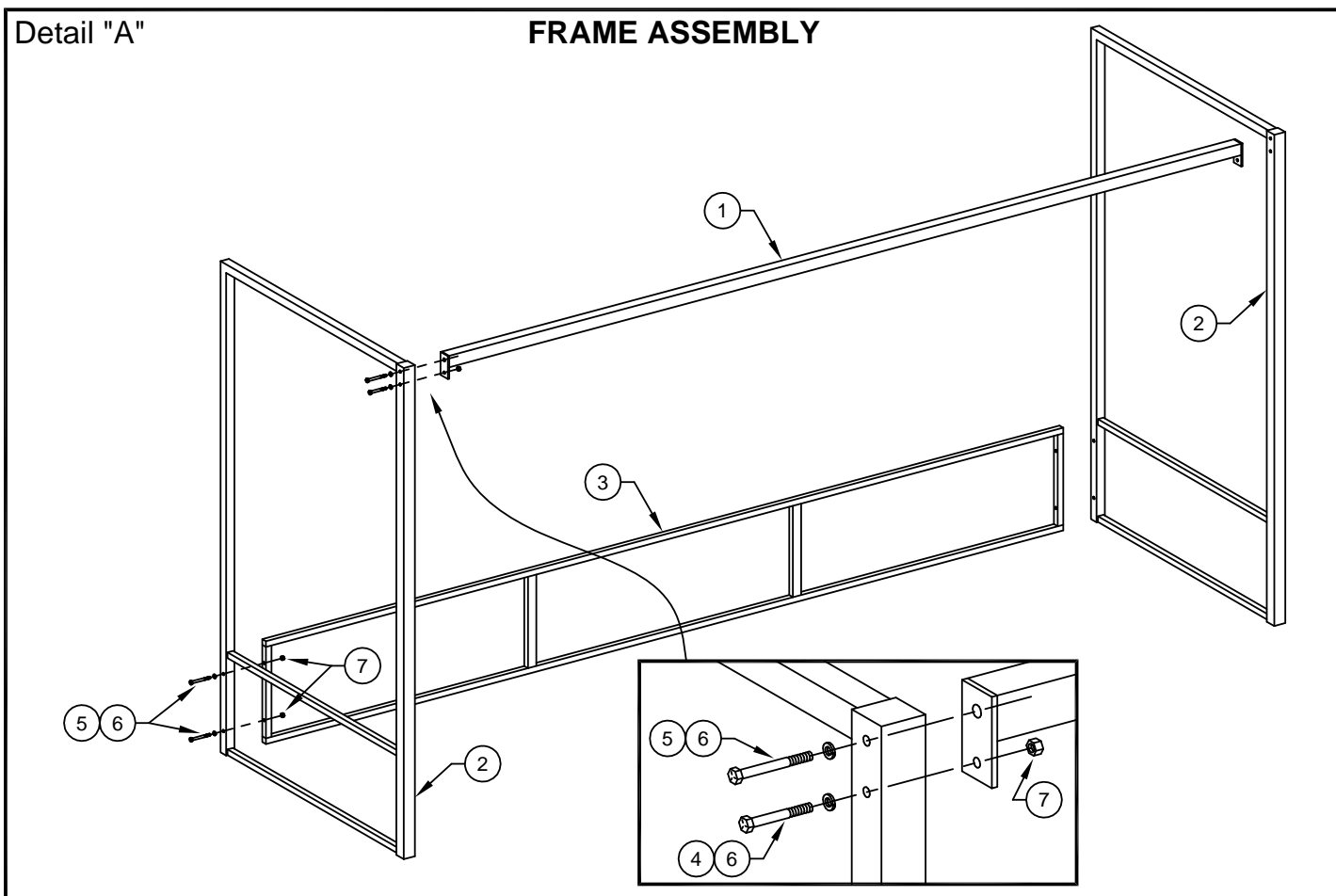
Item #	Qty.	Part Number	Description	Item #	Qty.	Part Number	Description
1	2	FRME 260 01 3	Crossbar	7	12	HDWE 03002 0E0	3/8" Hex Nut
2	2	FRME 260 02 3	Sideframe	8	60	HDWE 06158 0E0	#10 x 1-1/4" Lg. Self-Drilling Screw
3	2	FRME 260 03 3	Backframe	9	4	WOOD 260 46 2	Side Board: 46-1/4" Lg.
4	4	HDWE 01210 0E0	3/8" x 2-3/4" Lg. Hex Head Cap Screw	10	6	WOOD 260 48 2	Side Board: 48" Lg.
5	12	HDWE 01215 0E0	3/8" x 3-1/4" Lg. Hex Head Cap Screw	11	2	00260712	Net with Lacing Cord
6	16	HDWE 04002 0E0	3/8" Lock Washer				

Upon completion of the assembly/installation of these goals, make sure this instruction manual is on the possession of the owner or facility manager, to save for future reference, and to order replacement parts.

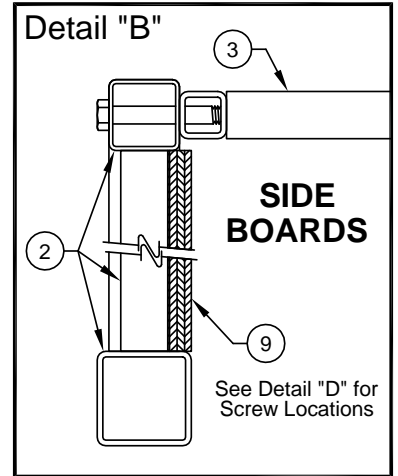
# No. 260100 – 7'-0" x 12'-0" FIELD HOCKEY GOAL ASSEMBLY INSTRUCTIONS

1. Check all items against Parts List on Page 1 to ensure all have been included.
2. Assemble frame components as shown in Detail "A". Tighten all hardware.

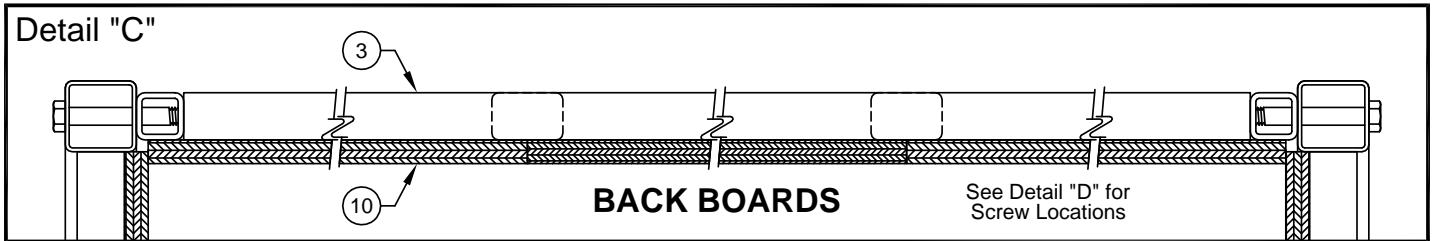
**NOTE: 2 different bolt sizes are used. Confirm each before use (Items #4 and #5)**



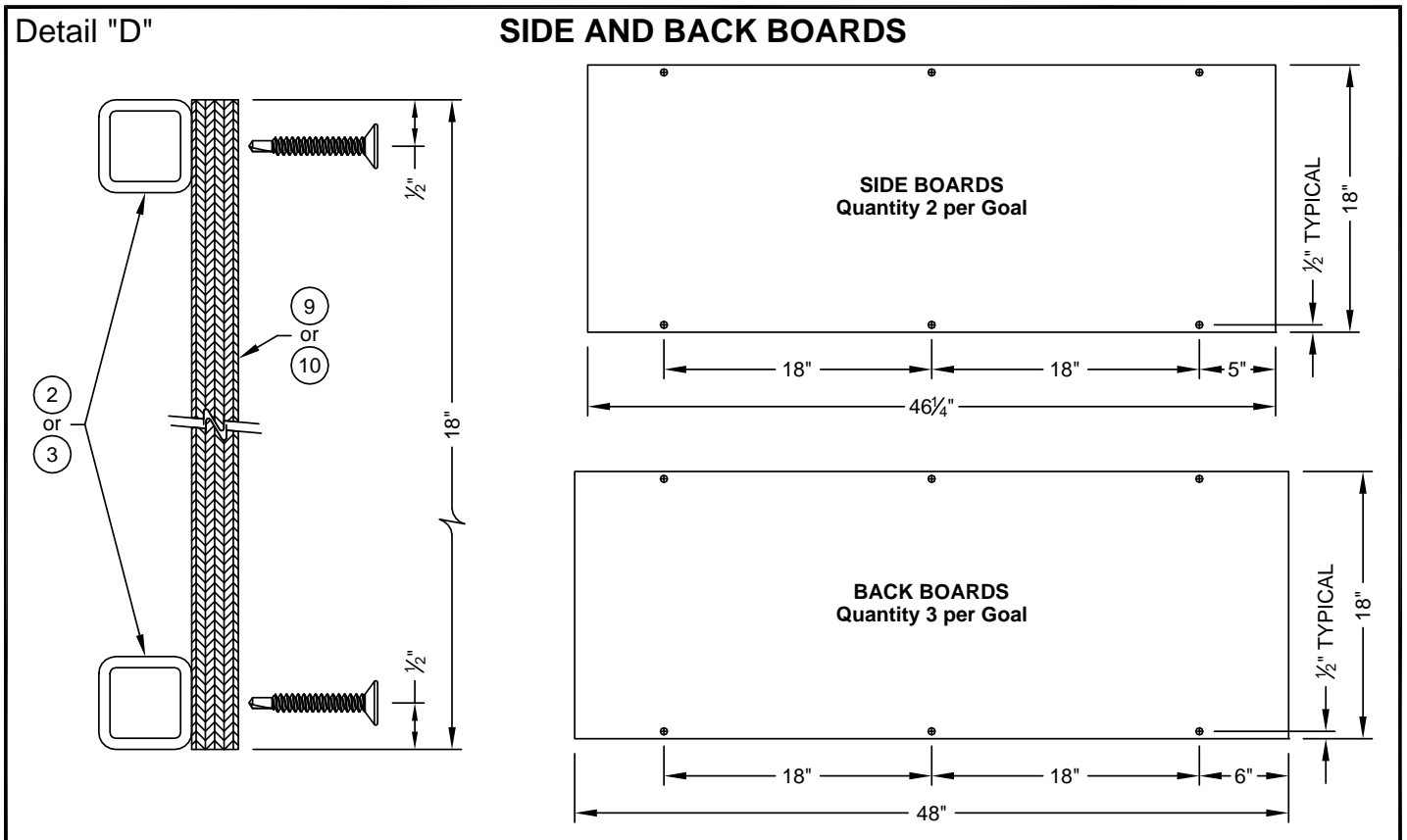
3. Locate side boards on goal as shown in Detail "B". Note – side boards must be positioned before back boards are installed.



4. Locate back boards on goal as shown in Detail "C".



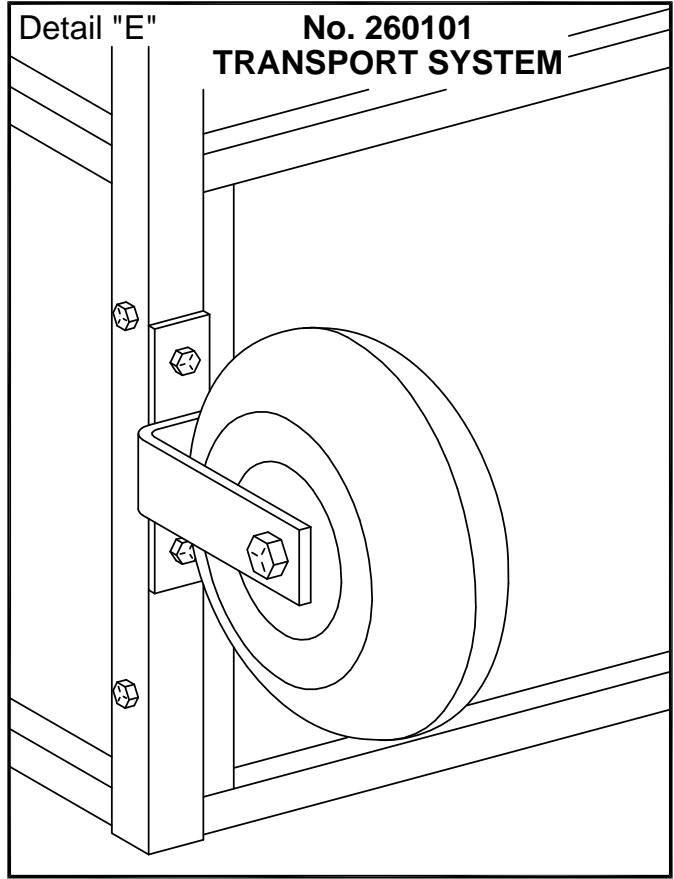
5. Side and back boards are secured to the goal frame with self-drilling screws. See Detail "D" for locations of screws.



6. Install net to frame using lacing cord provided with net.

7. Assembly of goal is now complete.

It is highly recommended that the optional No. 260101 Transport System be utilized for transporting the No. 260100 Field Hockey Goal. See Detail "E".



THIS WARNING IS GIVEN IN COMPLIANCE  
WITH CALIFORNIA'S PROPOSITION 65:  
**WARNING**  
This product contains chemicals known to the  
State of California to cause cancer, birth defects  
or other reproductive harm.

**GILL**<sup>®</sup>

SAVE THESE INSTRUCTIONS FOR FUTURE USE