

INSTALLATION INSTRUCTIONS

TRANSPORT SYSTEM (SET OF TWO)

No. 260101

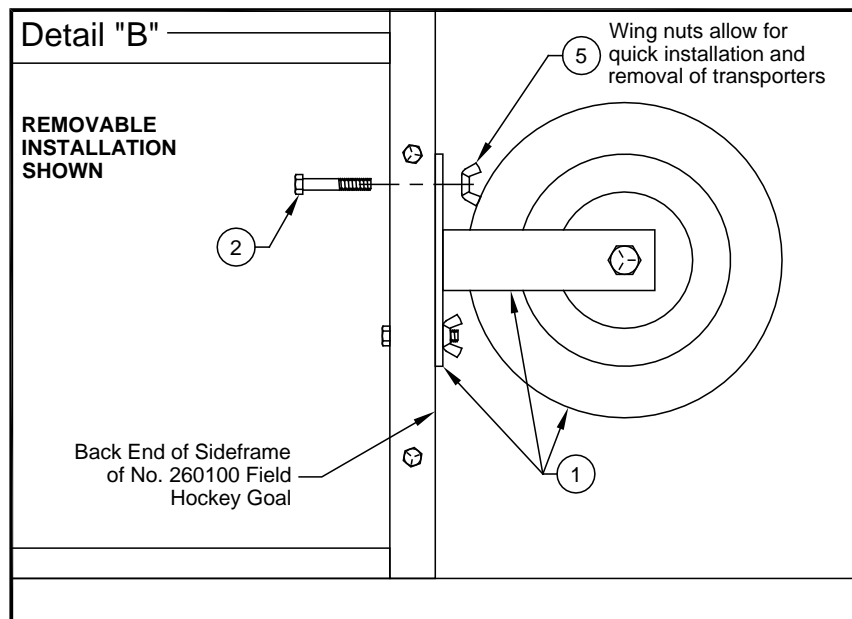
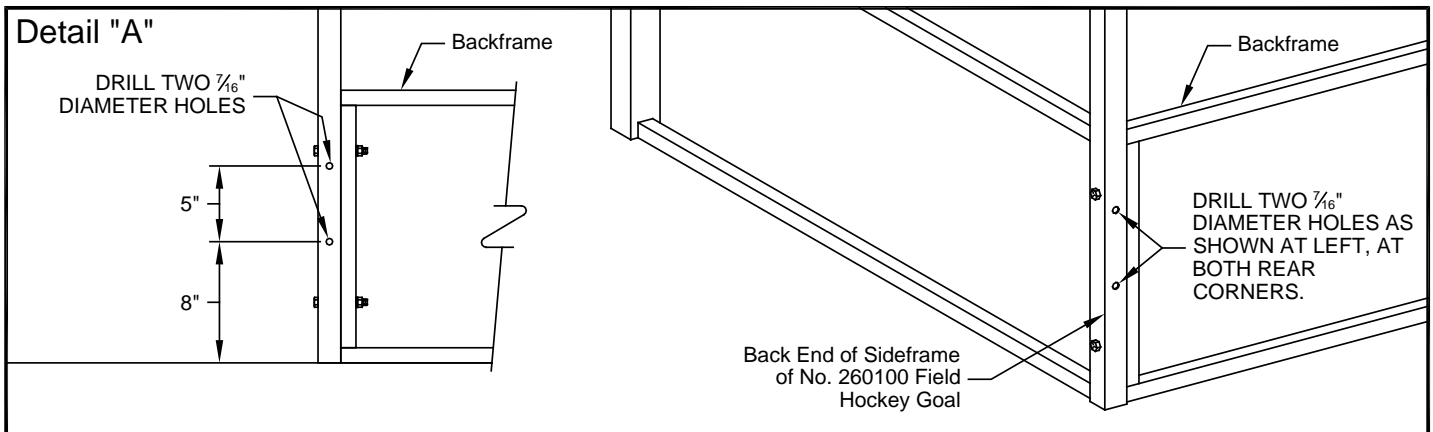
The No. 260101 Transport System is used to transport Porter's No. 260100 Field Hockey Goals.

This kit includes enough components to transport one goal at-a-time. Wing nuts are provided for a removable type of installation, allowing for quick attachment and removal of the transporters from the goal. See Detail "B" below.

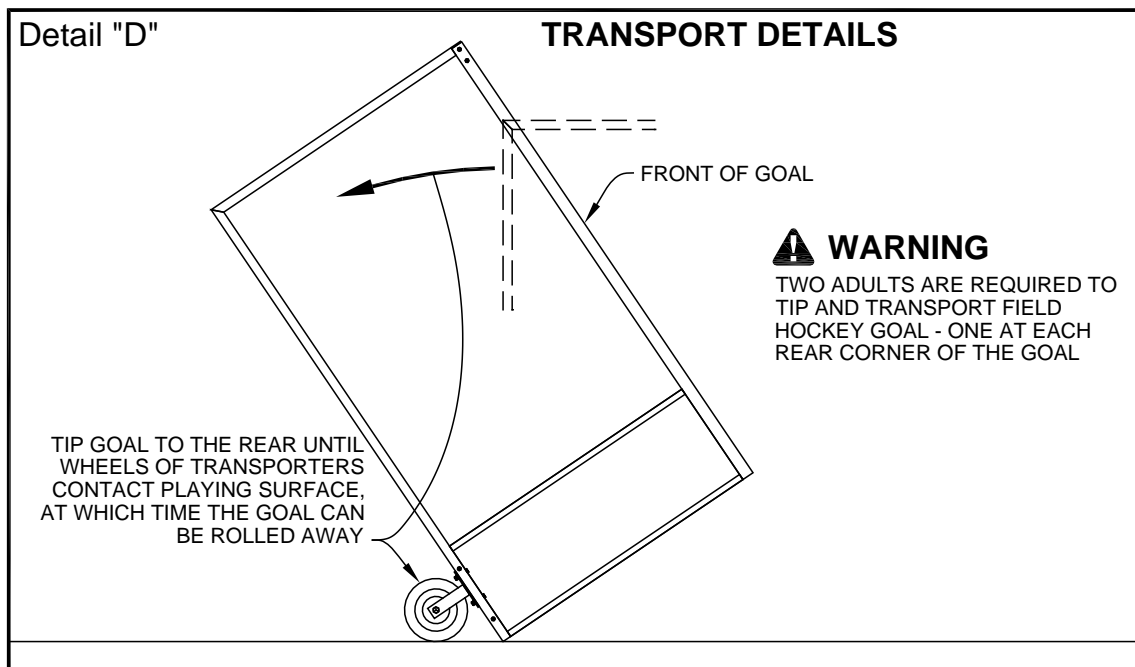
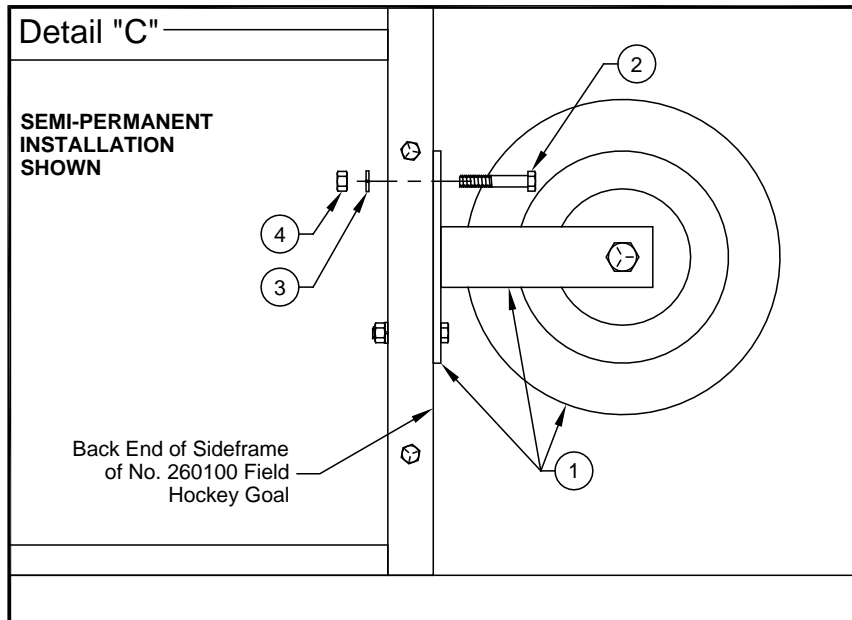
PARTS LIST			
Item No.	Part No.	Qty.	Description
1	FRME 00437 002	2	Transporter Assembly
2	HDWE 01207 0E0	4	3/8" x 2-1/4" Lg. Hex Head Cap Screw (Grade 5)
3	HDWE 04002 0E0	4	3/8" Lock Washer
4	HDWE 03002 0E0	4	3/8" Hex Nut
5	HDWE 03026 0E0	4	3/8" Wing Nut

The transport assemblies can also be installed in a semi-permanent fashion, where they remain attached to the goal at all times. In this type of installation, two (2) sets of No. 260101 Transport System will be required (one for each goal). See Detail "C" on opposite side of this sheet.

For either type of installation, it is necessary to drill holes in the sideframes of the field hockey goal. See Detail "A".



See Detail "D" on opposite side of this sheet for details about transporting goals.



THIS WARNING IS GIVEN IN COMPLIANCE
WITH CALIFORNIA'S PROPOSITION 65:

WARNING

This product contains chemicals known to the
State of California to cause cancer, birth defects
or other reproductive harm.

porter[®]

Porter Athletic, Inc.

2500 South 25th Avenue, Broadview, IL U.S.A., 60155

Toll Free: (888) 277-7778 • Phone: (708) 338-2000 • Fax: (708) 338-2060

www.porterathletic.com

SAVE THESE INSTRUCTIONS FOR FUTURE USE